

RESOLUTION NO.: 22-23

**A RESOLUTION OF THE BOARD OF COUNTY COMMISSIONERS OF PINELLAS COUNTY, FLORIDA DECLARING A PORTION OF COUNTY-OWNED PROPERTY SURPLUS AND AUTHORIZING CONVEYANCE OF SUCH PROPERTY IN ACCORDANCE WITH SECTION 125.35(2), FLORIDA STATUTES; PROVIDING FOR AN EFFECTIVE DATE.**

**WHEREAS**, Pinellas County (County) is the owner of unincorporated real property, as evidenced by that certain tax deed dated June 1, 1998, recorded in Official Records Book 11389, Pages 302-303; and

**WHEREAS**, a portion of the above-referenced property (.004 acres more or less), further described in Exhibit A attached hereto and incorporated herein by reference, is submerged land that is no longer needed for any County purpose (Property); and

**WHEREAS**, Section 125.35(2), Florida Statutes authorizes the County to sell any real property belonging to the County by private sale when the Board of County Commissioners (Board) finds that the value of a parcel of real property is \$15,000 or less, as determined by a fee appraiser designated by the Board or as determined by the County Property Appraiser, and when, due to the size, shape, location, and value of the parcel, it is determined by the Board that the parcel is of use only to one or more adjacent property owners; and

**WHEREAS**, the Property has an assessed value of \$52.00; and

**WHEREAS**, Philip Belejchak and Nadine Belejchak are the only adjacent property owners to the Property (Adjacent Property Owners); and

**WHEREAS**, the Property is of use to the Adjacent Property Owners and they desire to purchase the Property at the appraised value.

**NOW, THEREFORE, BE IT RESOLVED** by this Board of County Commissioners of Pinellas County, Florida, in regular session duly assembled on this 8 day of

March 2022, that this Board declares the Property as surplus and grants authorization to convey the Property to the Adjacent Property Owners at the appraised value by County Deed.

**NOW BE IT FURTHER RESOLVED**, that this Board of County Commissioners shall adopt this resolution and execute the County Deed, with authorization for the Clerk to attest, and record this resolution and County Deed in the Public Records of Pinellas County, Florida.

**EFFECTIVE DATE.** This Resolution shall become effective upon recording by the Clerk.

Commissioner Peters offered the foregoing Resolution and moved its adoption, which was seconded by Commissioner Gerard, and upon roll call the vote was:

AYES: Justice, Eggers, Flowers, Gerard, Peters, and Seel.

NAYS: None.

ABSENT AND NOT VOTING: Long.

FLORIDA DESIGN CONSULTANTS  
 20525 AMBERFIELD DRIVE, SUITE 201  
 LAND O' LAKES, FLORIDA 34638  
 SURVEY AND MAPPING SECTION  
 PHONE: (800) 532-1047  
 WWW.FLDESIGN.COM



**FLORIDA DESIGN  
 CONSULTANTS, INC.**  
 — THINK IT. ACHIEVE IT. —

**SECTION 2, TOWNSHIP 28 SOUTH, RANGE 15 EAST  
 DESCRIPTION**

**LEGAL DESCRIPTION:**

A parcel of land being a portion of Section 2, Township 28 South, Range 15 East, Pinellas County, Florida, being more particularly described as follows:

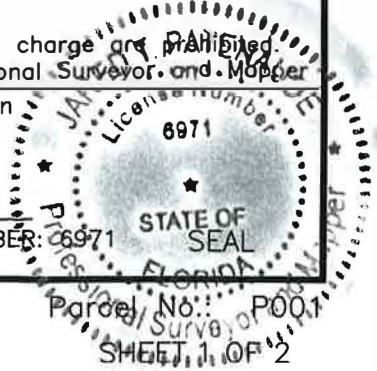
COMMENCE at the Southeast corner of Lot 5, according to the plat of OSPREY POINT, as recorded in Plat Book 98, Page 10, of the Public Records of Pinellas County, Florida; thence N33°31'22"E, along the East line of said Lot 5, according to the Plat of OSPREY POINT (being the basis of bearings for this legal description), for 27.49 feet to the POINT OF BEGINNING; thence leaving said East line of Lot 5, N65°05'27"W, for 9.87 feet to the point of intersection with the Wetland Jurisdictional Delineation line established by Birkitt Environmental Services, Inc. on 3-11-2021; thence N17°32'55"E, along said Wetland Jurisdictional Delineation line, for 6.05 feet; thence leaving said Wetland Jurisdictional Delineation line, S65°05'27"E, for 16.02 feet; thence S35°58'05"E, for 14.58 feet to the point of intersection with the mean High Water Line Elevation 0.82 feet, North American Vertical Datum, 1988 adjustment (NAVD88), according to the Florida Department of Environmental Protection, File Number 8019; thence S35°07'05"W, along said Mean High Water line for 6.19 feet; thence leaving said Mean High Water line, N46°51'17"W, for 0.76 feet; thence, N35°58'05"W, for 14.28 feet; thence N65°05'27"W, for 3.82 feet to the POINT OF BEGINNING;

Containing 178 square feet or 0.004 acres, more or less.

Revision 1: Addressing County Comments 10-7-2021  
 Revision 2: Addressing County Comments 10-8-2021

Additions or deletions by other than the Professional Surveyor and Mapper in responsible charge are prohibited. Sketch and/or Description is invalid without the original signature and seal of the Professional Surveyor and Mapper.

CALCULATED BY: RCW3	The above Sketch and Land description was prepared under my supervision and is true and correct to the best of my knowledge and belief. By: <u>[Signature]</u> DATE <u>10-8-2021</u> JARED T. PATENAUDE, PROFESSIONAL SURVEYOR AND MAPPER LICENSE NUMBER: 6971 STATE OF FLORIDA, PHONE # (800) 532-1047
CHECKED BY: JTP	
S.F.N.: F1332_00541	



**EXHIBIT A**

FLORIDA DESIGN CONSULTANTS  
 20525 AMBERFIELD DRIVE, SUITE 201  
 LAND O' LAKES, FLORIDA 34638  
 SURVEY AND MAPPING SECTION  
 PHONE: (800) 532-1047  
 WWW.FLDESIGN.COM



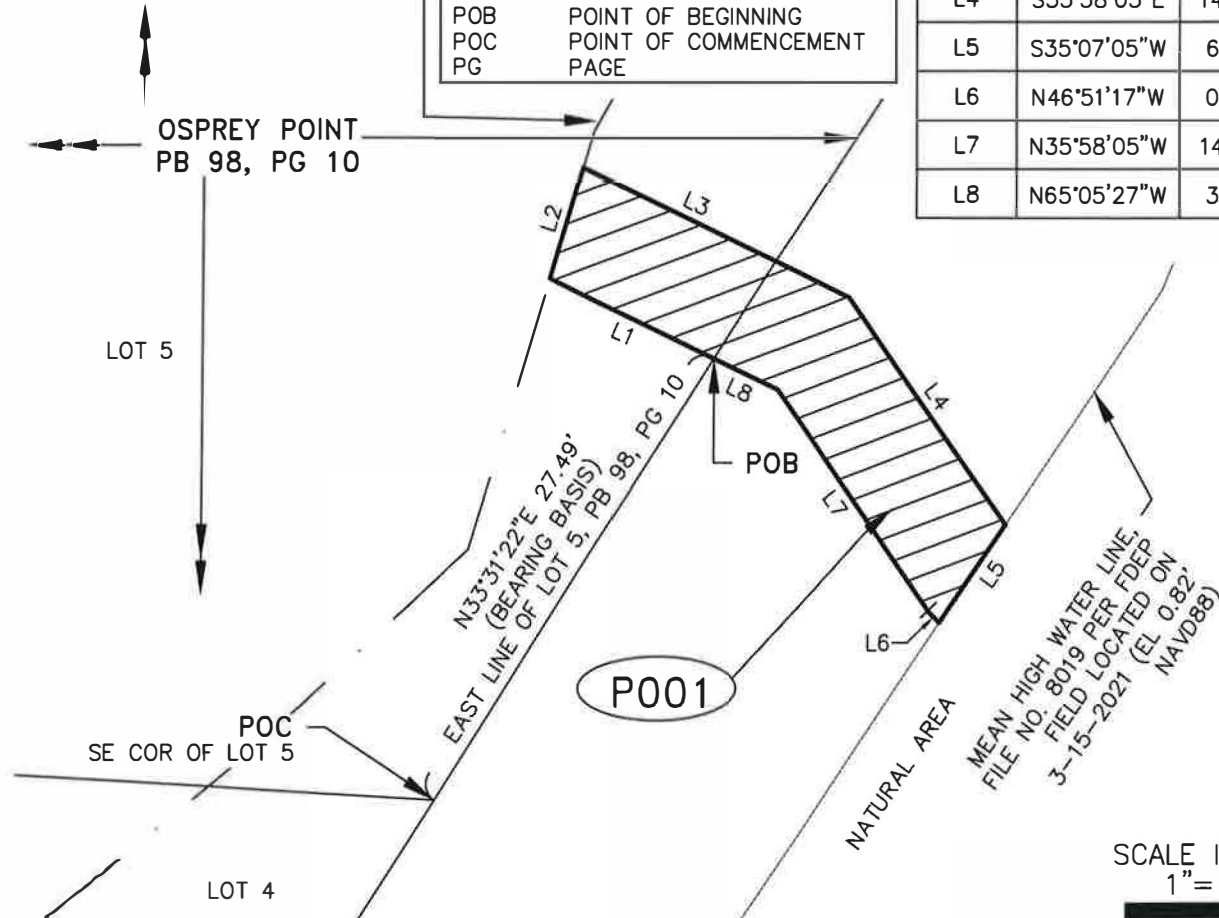
**FLORIDA DESIGN CONSULTANTS, INC.**  
 THINK IT. ACHIEVE IT.

**SECTION 2, TOWNSHIP 28 SOUTH, RANGE 15 EAST**  
**SKETCH - NOT A SURVEY**

LEGEND	
COR	CORNER
EL	ELEVATION
FDEP	FLORIDA DEPARTMENT OF ENVIRONMENTAL PROTECTION
MHW	MEAN HIGH WATER
NAVD88	NORTH AMERICAN VERTICAL DATUM 1988 ADJUSTMENT
NO.	NUMBER
PB	PLAT BOOK
POB	POINT OF BEGINNING
POC	POINT OF COMMENCEMENT
PG	PAGE

LINE TABLE		
LINE #	BEARING	LENGTH
L1	N65°05'27"W	9.87'
L2	N17°32'55"E	6.05'
L3	S65°05'27"E	16.02'
L4	S35°58'05"E	14.58'
L5	S35°07'05"W	6.19'
L6	N46°51'17"W	0.76'
L7	N35°58'05"W	14.28'
L8	N65°05'27"W	3.82'

WETLAND JURISDICTIONAL DELINEATION LINE ESTABLISHED BY BIRKITT ENVIRONMENTAL SERVICES, INC. ON 3-11-2021



Revision 1: Addressing County Comments 10-7-2021  
 Revision 2: Addressing County Comments 10-8-2021

SCALE IN FEET  
 1" = 10'

Additions or deletions by other than the Professional Surveyor and Mapper in responsible charge are prohibited. Sketch and/or Description is invalid without the original signature and seal of the Professional Surveyor and Mapper.

CALCULATED BY: RCW3	The above Sketch and Land description was prepared under my supervision and is true and correct to the best of my knowledge and belief. By: <i>[Signature]</i> JARED T. PATENAUDE, PROFESSIONAL SURVEYOR AND MAPPER LICENSE NUMBER: 6971 STATE OF FLORIDA, PHONE # (800) 532-1047
CHECKED BY: JTP	
S.F.N.:	
F1332_0054	

