



Application for Local Historic Designation

GENERAL INFORMATION

Case Number _____

Property Owner Name & Address

Agent or Representative Name & Address

Kelly Lee McFrederick and Jack Rice

(a married couple)

3612 East Maritana Drive

N/A

St. Pete Beach, Florida 33706

Phone 727.410.3605

Phone _____

Email Address KLMcFrederick@gmail.com

Email Address _____

Property Address, Legal Description, Parcel ID 3612 East Maritana Drive, St. Pete Beach, FL 33706

DON CE-SAR PLACE PG 162 TOGETHER WITH THAT PART OF 10FT WIDE STRIP LABELED "RESERVED" LYING E OF E MARITANA DR BETWEEN E'LY EXT OF N'LY & S'LY BOUNDARIES OF SUBJ PARCEL AS PER DEED 987/117 & O.R. 17493/728 BLK 14, LOT 6 LESS S'LY 10FT & LESS THAT PAR T DESC BEG MOST N'LY COR OF SD LOT 6 TH CUR RT RAD 270FT ARC 15.99FT CB S63D04'44"E 15.99FT TH S28D37'04"W 19.70FT TH N11D07'00"W 25 FT TO POB PER O.R. 10333

Historic Name of Property (if applicable): "Captain's House"

Florida Master Site File Number (if applicable): N/A

Florida Master Site File Recorder: (Name and Title, if applicable): N/A

I (the undersigned) am the legal owner/legal representative of Home and Dock located at 3612 East Maritana Drive, St. Pete Beach and hereby consent to have this property designated as an historic property, should the Historic Preservation Board determine it qualifies for Local Historic Designation.

Owner Signature: Kelly Lee McFrederick Jack Simpson Rice Jr. Date: Aug 18, 2021

TYPE OF REQUEST

- Individual historic building
- Individual archaeological site
- Historic or archaeological district
- Thematic grouping (not typically tied through same/similar associations but not tied through geographic boundaries) (Example: All works of the same architect, or all are early tourist related accommodations)

BOUNDARY DESCRIPTION AND SIZE OF PROPERTY

Describe boundary line encompassing all man-made and natural resources to be included in designation (general legal description or survey). Attach map delimiting the proposed boundary. (Use continuation sheet if necessary). Include acreage or land square footage of the subject property.

33.1 feet wide by 20.8 feet long

With 5 foot wide by 25 foot walkway with a tie covered roof

Original Pilings on site held with other pilings and original roof trusses

227 Square feet total

FUNCTION OR USE

Historic Functions

Boat House from photograph from 1941

Current Functions

Boat House in current use by home owners

DESCRIPTON

Architectural Classification

Historic Covered Dock

Materials

Wooden Trusses and Pilings, with a Shingle Roof

STATEMENT OF SIGNIFICANCE

Designation Criteria Established (mark one or more boxes for the appropriate criteria)

The criteria to be applied by the historic preservation board and city commission in the designation of a building, district area or site as historically or archaeologically significant shall be as follows;

(1) **Historic buildings.** A building is of historic significance if it possesses integrity of location, design, setting and materials, and if it:

- Exemplifies or reflects the broad cultural, political, economic or social history of the city, the county, the state or the United States; or
- Is associated with events which have made a significant contribution to the broad patterns of our local state, or national history; or
- Is associated with the life of a person who has played a significant role in our local, state, or national history; or
- Is a reconstructed building accurately executed in a suitable environment and presented in a dignified manner as part of a restoration Is master plan, and when no other building or association has survived; and
- Is listed on the National Register of Historic Places or is eligible for inclusion on the National Register of Historic Places, or is included on the state master site file, individually or as contributing to a listed historic district.

(2) **Historic districts.** A district is of historic significance if it:

- Represents a significant entity whose components may lack individual distinction; or
- Represents a geographically defined area which contains buildings, sites, objects and spaces linked historically through location, design, setting, materials, workmanship, feeling and association; or
- Represents a geographically defined entity whose individual structural components collectively convey a sense of time and place which may relate to one or more periods in history.

(3) **Archaeological sites and districts.** A site or district is of archaeological significance if it:

- Has yielded or is likely to yield significant information relating to prehistory or history; or
- Contains any subsurface remains of historical or archaeological importance or any unusual ground formations of archaeological significance.

Areas of Significance (please describe the following):

1. Period of Significance

1930- present

2. Significant Dates (date constructed and altered, if applicable)

Existing in 1941- Footprint from photograph 1941 is the same as today.

2018 Maintenance was completed with new handrails, dock boards and shingle roof

3. Significant Persons

John L Downing JR (M Honor) "Boat Captain" for Auggie Busch Junior

The 1941 photo shows the Covered Dock before the

Historic Don Cesar Place Neighborhood was developed

4. Cultural Affiliation/Historic Period

Historic Don Cesar Neighborhood developed by Thomas Rowe

5. Architect

Original Tie Head Covered Dock

6. Builder

An Old Fishermans Covered Dock

Narrative Description - *Attached*

1. Please describe the physical description of the building or site and its character defining features, accompanied by photographs.
2. Please provide a statement of the historical, cultural, architectural, archaeological or other significance of the building or site as defined by the criteria for designation established by the Land Development Code, Section 28-20.
3. Please provide a description of the existing condition of the building or site including any potential threats of other circumstances that may affect the integrity of the building or site.
4. Provide a statement of rehabilitation or adaptive use proposals, if applicable.
5. Provide a location map, showing relevant zoning and land use information.

Major Bibliographic References

Please cite the books, articles, and other sources used in preparing this form below or on one or more continuation sheets.

Narrative Description #1

The physical description of the building and its character-defining features.

The part of the dock we are referencing to have the historic classification is the original covered dock of 227 square feet, dated before 1941. The roof and the decked area with the wet slip underneath, the decked area to the south side, the roof covering the wet slip, includes covering the south side decked area, plus the entrance walk-out decked area. All of these docks are the original footprint from the photo dated from 1941 from the Gulf beaches Historical Museum owned by Pinellas County. This application consists of the walk-out section of the dock and the open south side dock with the covered roof and all the decked area on the west side is the historical dock and original footprint. We have found photos taken from 1941 before the development of East Maritana Drive leading us to believe a historical resident of the area built the dock sometime between 1920 and 1940 per the photo we found from 1941 and picture is before the development of the Historic Don Cesar Neighborhood. This incredible structure has not changed in the footprint of the image from 1941. The trusses in the roof are still there, and pilings have been added to the original pilings. The shape and structure of the roof are original, and the walk-out section of the dock, the horizontal dock to the seawall, and the south dock covered section are the original footprint. The original dock is beautiful, and the history continues showing the low profile of the roof; The builder of this historical treasure were probably local fishermen, who kept smaller fishing boats under the roof, and may have had some dwelling on the land, and used the walk-out to get to their boats. The old photos show the handrails, and the size of the original dock and roof structure has not changed. The roof covering the wet slip and the south side dock with the low roof and the wrap around docks on the south and the west show how these fishermen valued the shaded covering and used the area to clean fish and keep their boats from the harsh sun. The original owners of the property from the Historic Don Cesar Neighborhood obviously valued the docks and kept them maintained and never tore them down as very prized to have a covered wet slip and decking. The owners in 2018 maintained the old docks and for safety replaced the wooden planking and handrails and replaced the shingles to hurricane standards for 2018, to keep this structure intact. The decked areas and covered roof are in excellent shape, and pose no hazards or threat to any nearby structures, and are current to hurricane codes.

Narrative Description #2

A statement of the historical, cultural, architectural, archaeological, or other significance of the building or site as defined by the criteria for designation established by this division.

Per the 1968 St. Petersburg Suburban and Holiday Isles Directory, one of the more known property owners was John L. Downing Jr (M Honor) Boat Captain, who, as we

have learned, was Auggie Busch's Junior's Boat Captain. He owned the house and lived for quite a time in the neighborhood, and these historical docks played an integral role in the history of St. Pete Beach and the Historic Don Cesar Neighborhood developed by Thomas Rowe. The deeded land has 200 feet of seawall, and the seawall is original as well protected by rip-wrap built up from 1941. Some of the other original owners included from the 1952 St. Petersburg Suburban and Holiday Isles directories were Leo S and Mary V Ganter, and in 1960 Gilbert and Edna L Smith all lovingly took care of these historic shaded docks.

Narrative Description #3

Description of the existing condition of the building and any potential threats or other circumstances that may affect the integrity of the building or site.

The condition of the Docks, Decked Areas and Roof are excellent. They have been maintained and docks boards replaced with new boards and handrails, and the shingles on the roof have been replaced to 2018 Hurricane codes; this was all completed in 2018.

Unfortunately, the covered section and roof of this historic dock is facing an imminent threat as the Water and Navigation division of Pinellas County is seeking to remove the famous covered roof and have cut in half the south portion of the decked area of this historical structure dated back to the 1941 photo.

Attached are their recommendations to have it all removed

And the prior approvals for the pilings in 2013 and covered dock permitted in 2018

Narrative Description #4

Provide a statement of rehabilitation or adaptive use proposals

The structure, docks, and roof are ethically pleasing to the City of St. Pete Beach Residents, the Historic Don Cesar Neighborhood and Belle Vista Neighborhood. The dock system is in impeccable shape, and nothing is needed for the next ten years or so- we want to enjoy the space as it is, enjoy the coverage of the south side dock, love the docks as they are, with zero thoughts ever to change the existing dock system, we think they are beautiful. Please remember that as a Historic Realtor, I have successfully registered multiple properties to the landmark/historic registry of St. Petersburg, and am also a member of Preserve the Burg. I understand the importance of protecting landmark properties in our county. Our personal water crafts are on the new covered wet slip built in 2018, and the 70' boat slip is now the home to our 63' Prestige. (We are working on an application for a small floating dock not attached to the existing historic structure to be able to enter and reasonably exit the 63' Prestige.) We have no desire ever to change the old boathouse without permission and always want to keep it as the famous historic dock.

Narrative Description #5

Provide a location Map, showing relevant zoning and land use information.

The Pinellas County Water and Navigation regulations have changed over time, with no thought to the historical significance or grandfathering of this incredible structure that has stood for a hundred years. They are forcing our hand to tear down the entire structure with no regard for the historic preservation or grandfathering of this piece of history. The existing structure has been there since 1941 or before, and now the codes have changed, and they have no regard for the grandfathering of this historic piece of history. This famous dock is a scenic piece of East Maritana Drive that the residents do not want to see torn down, very picturesque, and definitely a one-of-a-kind dock. Attached are the permits showing the poles to the south sided in 2013 and the covered wet slips in 2018. Everything on the dock structure has been approved by the St. Pete beach and Pinellas County, we want to preserve the middle historic section of this dock and the history that the dock represents.

Attached is Map and survey

Property Appraiser Detail - Page 2

12/3/2020

Property Appraiser General Information

Living units: 1
 Floor Finish: Carpet/Hardtile/Hardwood
 Interior Finish: Custom
 Fixtures: 7
 Year Built: 2012
 Effective Age: 9
 Heating: Central Duct
 Cooling: Cooling (Central)



Building I Sub Area Information

Description	Living Area SF	Gross Area SF
Garage (GRF)	0	1,512
Base (BAS)	1,808	1,808
Open Porch (OPF)	0	312
Total Living SF: 1,808		Total Gross SF: 3,632

[click here to hide] 2021 Extra Features

Description	Value/Unit	Units	Total Value as New	Depreciated Value	Year
ELEV PASS	\$35,000.00	1.00	\$35,000.00	\$26,950.00	2012
PATIO/DECK	\$18.00	196.00	\$3,528.00	\$2,717.00	2012
BOATHS/CV	Open area in New Window		\$13,800.00	\$13,386.00	2019
BT LFT/DAV	\$2,000.00	2.00	\$4,000.00	\$1,600.00	1965
DOCK	\$30.00	690.00	\$20,700.00	\$12,006.00	1980

[click here to hide] Permit Data

Permit information is received from the County and Cities. This data may be incomplete and may exclude permits that do not result in field reviews (for example for water heater replacement permits). We are required to list all improvements, which may include unpermitted construction. Any questions regarding permits, or the status of non-permitted improvements, should be directed to the permitting jurisdiction in which the structure is located.

Permit Number	Description	Issue Date	Estimated Value
BLD19-00208	ROOF	04 Mar 2019	\$3,520
BLD18-02047	ELECTRICAL	14 Nov 2018	\$2,400
DOCK	DOCK	17 Apr 2018	\$0
BLD18-00687	DOCK	12 Apr 2018	\$55,057
P43094-13/REV	DOCK	05 Sep 2013	\$0
20131081	DOCK	07 Aug 2013	\$8,500
20120588A	NEW RESIDENCE	20 Dec 2012	\$0
20120588	NEW RESIDENCE	09 Jul 2012	\$260,000



If you are experiencing issues with this map loading, you may need to clear your web browsing history, then close and restart your web browser

SECTION 7, TOWNSHIP 32 SOUTH, RANGE 18 EAST

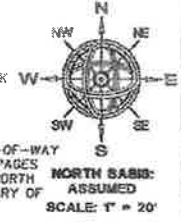
A BOUNDARY SURVEY OF (PROVIDED TO SURVEYOR)

PARCEL "B"

LOT 6, LESS THE SOUTHERLY 10 FEET THEREOF, BLOCK 14, DON CE-SAR PLACE, ACCORDING TO THE PLAT THEREOF, RECORDED IN PLAT BOOK 13 AT PAGES 15 THROUGH 20, OF THE PUBLIC RECORDS OF PINELLAS COUNTY, FLORIDA, ALSO LESS AND EXCEPT LANDS DESCRIBED IN DEED RECORDED IN O.R. BOOK 1033, PAGE 182 OF SAID PUBLIC RECORDS.

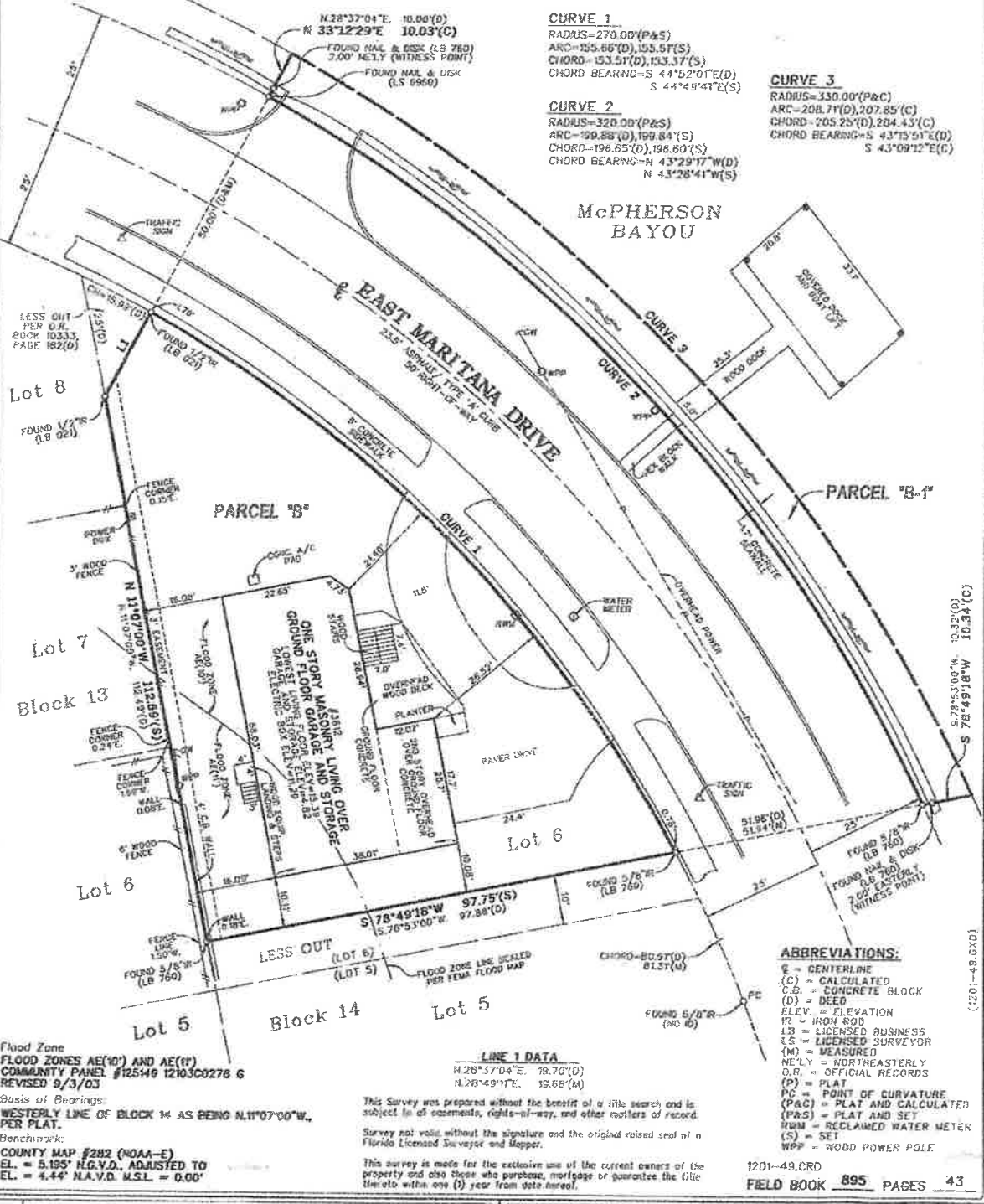
PARCEL "B-1"

BEING A PART OF THE 10 FOOT RESERVED SEAWALL AREA LYING EAST OF EAST MARTANA DRIVE RIGHT-OF-WAY, BEING ACROSS THE RIGHT-OF-WAY IN FRONT OF AND EASTERLY OF LOT 6, BLOCK 14, DON CE-SAR PLACE, ACCORDING TO THE PLAT THEREOF RECORDED IN PLAT BOOK 13 AT PAGES 15 THROUGH 20, OF THE PUBLIC RECORDS OF PINELLAS COUNTY, FLORIDA, BORDERED ON THE SOUTH BY A LINE AS THE EXTENSION OF THE NORTH BOUNDARY OF THE SOUTH 10 FEET OF SAID LOT 6 AND BORDERED ON THE NORTH BY A LINE AS THE EXTENSION OF THE SOUTHERLY BOUNDARY OF LESS OUT PORTION OF SAID LOT 6 DESCRIBED IN DEED RECORDED IN O.R. BOOK 1033, PAGE 182 OF SAID PUBLIC RECORDS.



BOUNDARY SURVEY ONLY - 2/03/12
 REVISED CERTIFICATION NAMES AND ADD UTILITIES - 2/13/12
 STAKED BUILDING ENVELOPE - 7/12/12
 FOUNDATION SURVEY - 8/07/12
 FINAL SURVEY - 12/11/12

CERTIFIED TO:
 RCM COOPER AND JANE CARVER



CURVE 1
 RADIUS=270.00'(P&S)
 ARC=155.86'(D),153.57'(S)
 CHORD=153.57'(D),153.37'(S)
 CHORD BEARING=S 44°52'01"E(D)
 S 44°49'41"E(S)

CURVE 2
 RADIUS=320.00'(P&S)
 ARC=199.88'(D),199.84'(S)
 CHORD=196.65'(D),196.60'(S)
 CHORD BEARING=W 43°29'17"W(D)
 N 43°28'41"W(S)

CURVE 3
 RADIUS=330.00'(P&C)
 ARC=208.71'(D),207.85'(C)
 CHORD=205.25'(D),204.43'(C)
 CHORD BEARING=S 43°15'51"E(D)
 S 43°09'12"E(C)

LINE 1 DATA
 N 28°37'04"E. 10.00'(D)
 N 33°12'29"E. 10.03'(C)

ABBREVIATIONS:
 C = CENTERLINE
 (C) = CALCULATED
 C.B. = CONCRETE BLOCK
 (D) = DEED
 ELEV. = ELEVATION
 IR = IRON ROD
 LB = LICENSED BUSINESS
 L.S. = LICENSED SURVEYOR
 (M) = MEASURED
 NE'LY = NORTHEASTERLY
 O.R. = OFFICIAL RECORDS
 (P) = PLAT
 PC = POINT OF CURVATURE
 (P&C) = PLAT AND CALCULATED
 (P&S) = PLAT AND SET
 W.M. = RECLAIMED WATER METER
 (S) = SET
 W.P. = WOOD POWER POLE

Flood Zone
 FLOOD ZONES AE(10') AND AE(1')
 COMMUNITY PANEL #125149 12103C0278 6
 REVISED 9/3/03

Basis of Bearings:
 WESTERLY LINE OF BLOCK 14 AS BEING N 11°07'00"W,
 PER PLAT.
Benchmarks:
 COUNTY MAP #282 (NOAA-E)
 EL. = 5.195' H.G.V.D. ADJUSTED TO
 EL. = 4.44' N.A.V.D. M.S.L. = 0.00'

This Survey was prepared without the benefit of a title search and is subject to all easements, rights-of-way, and other matters of record.
 Survey not valid without the signature and the original raised seal of a Florida Licensed Surveyor and Mapper.
 This survey is made for the exclusive use of the current owners of the property and also those who purchase, mortgage or guarantee the title thereto within one (1) year from date hereof.

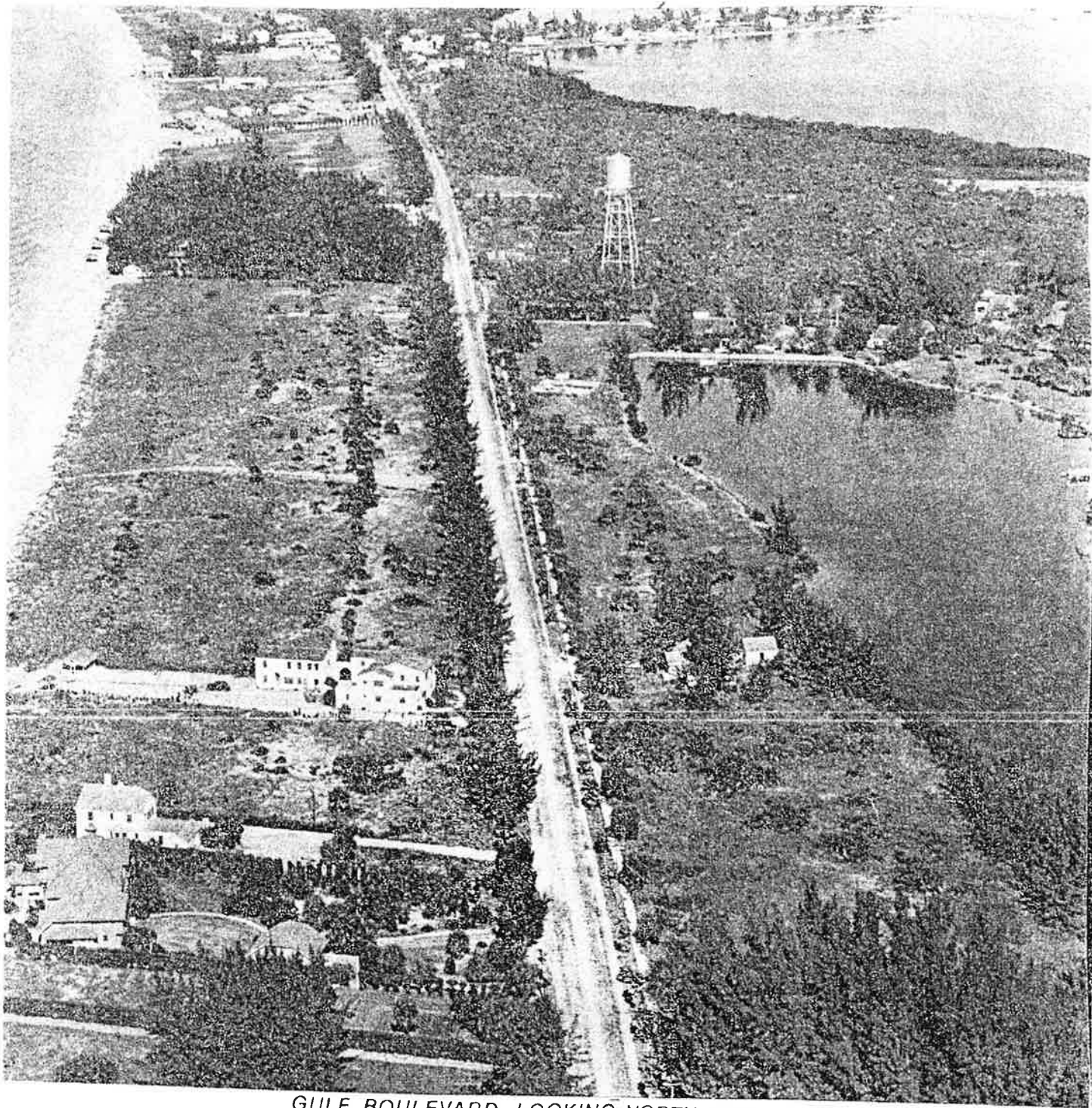
1201-49.CRD
 FIELD BOOK 895 PAGES 43

I hereby certify that the survey represented herein meets the requirements of Chapter 54-17.052, Florida Administrative Code.

JOHN C. BRENDA
 Florida Surveyor's Registration No. 12669
 Certificate of Authorization No. 760

Prepared by:
JOHN C. BRENDA & ASSOCIATES, INC.
 CONSULTING ENGINEERS AND LAND SURVEYORS
 4015 82nd Avenue North
 Pinellas Park, Florida 33781
 phone (727) 676-7648 - fax (727) 577-8932

1941 photo * Matches Photo From Museum



GULF BOULEVARD, LOOKING NORTH, 1940's

St. Petersburg Beach became an incorporated community in 1957. The entire island of Long Key merged from the four small towns of Pass-a-Grille Beach, Don Ce Sar Place, Belle Vista Beach, and St. Petersburg Beach into what is now a municipality of over 12,000 permanent residents. Non-residents vacationing in our city easily triple this figure, however.

The form of government is modern, Commission - Manager; the thinking is modern -- a new and well-directed zoning ordinance to offer the best protection for living and investing in the city; modern police and fire services which are constantly being improved and enlarged to meet the growth demands of the area.

St. Pete Beach is southernmost of a chain of natural islands connected by bridges to the mainland at three points. The Gulf of Mexico forms the western boundary of these islands and Boca Ciega Bay, part of the Intracoastal Waterway, forms the eastern boundary. The city encompasses 2.5 square miles of land area, with gulf frontage of 4.16 miles and bay frontage of 24.6 miles.

For more information on recreation, fishing, library, rescue and other services, be sure to read the many articles in this issue of the **Beach Visitor**. Enjoy your stay ... perhaps someday you will join us permanently!



NORTH END OF BEACH; COREY BRIDGE IN BACKGROUND, 1948

BEACH HISTORY

St. Petersburg Beach became an incorporated community in 1957. The entire island of Long Key merged from the four small towns of Pass-a-Grille Beach, Don Ce Sar Place, Belle Vista Beach and St. Petersburg Beach into what is now a municipality of over 12,000 permanent residents. Non-residents vacationing in our city easily triple this figure however.

St. Pete Beach is southernmost of a chain of natural islands connected by bridges to the mainland at three points. The Gulf of Mexico forms the western boundary of these islands and Boca Ciega Bay, part of the Intracoastal Waterway, forms the eastern boundary. The city encompasses gulf frontage of 4.16 miles and bay frontage of 24.6 miles.

For more information on recreation, fishing, library, rescue and other services, be sure to read the many articles in this issue of the **Beach Visitor**. Enjoy your stay ... perhaps someday you will join us permanently!

From: Lauren Rubenstein <lauren@denhardtllaw.com>
Sent: Friday, July 16, 2021 5:00 PM
To: Jay Rice <jayrice@jackriceinsurance.com>
Subject: Fwd: Dock at 3612 E Maritana Dr

See below and attached.

Sent from my iPhone

Begin forwarded message:

From: "Mackesey, Brendan" <bmackesey@co.pinellas.fl.us>
Date: July 16, 2021 at 4:11:56 PM EDT
To: lauren@denhardtllaw.com
Subject: RE: FW: Dock at 3612 E Maritana Dr

* Pinellas County Water
 and Navigation proposal
 to tear down Historic
 covered Roof and cut-in -
 half south Historic
 decked area.

Hi Lauren:

This e-mail regards the outstanding Pinellas County Water & Navigation (WN) Private Dock Application No. 21-00540 (attached) for 3612 E. Maritana Drive, St. Pete Beach (the "2021 Application"). The upland property is owned by Kelly McFrederick and Jack Rice Jr., who you represent. As you are aware, WN Staff objects to several design elements of the 2021 Application. Accordingly, the County proposes several design revisions to the 2021 Application, which are outlined below. Using the sketch included in the 2021 Application, WN Staff created the attached Visual Aid; the numbers below should be cross-referenced with the Visual Aid.

1. WN Staff proposes removing the roof over the water and the existing 9.1' by 18' platform. As the roof will no longer be covering a boat slip, it will be inconsistent with (County) Code § 58-543(m) and consequently must be removed.
2. WN Staff proposes altering this area to prevent its use as a (third) boat slip. See Code § 58-555(a)(5) (two boat slips allowed per private dock). WN suggests placing a hand-railing along the red "U" shape.
3. WN Staff proposes reducing the width of this platform so that it constitutes a walkout. This walkout can be up to 5' wide, so only 4' 1" needs to be removed. This will create a fixed walkout of 5' x 18' leading to the floating ramp of 4' x 14'.

(Numbers end.)

- The proposed 10' x 16' floating dock reflected in the 2021 Application (the "Floating Dock") may be installed. However, because floating docks are not contemplated by the minimum dock construction specifications outlined in Code § 58-544, an engineer must sign and seal a design of the Floating Dock. See Code §§ 58-539(c)(2) (authorizing deviations from construction standards based on engineering criteria) and 58-549(c) (authorizing requests for information prior to permit issuance).
- A five-times after-the-fact WN permit application fee must be paid. See Code § 58-540(b) (authorizing increased fees for after-the-fact WN permit applications) and the attached County FY21 User Fee Schedule, p. K-85 (authorizing a five-times fee for after-the-fact WN permit applications). The standard WN permit application fee is \$600, which has already paid; thus an additional \$2,400 is owed. Alternatively, the Floating Dock, as well as the tie poles permitted in Revised WN Permit No. P43094-13 (attached) (the "Tie Poles") may be removed and re-installed after issuance of a revised WN permit.

WN Staff understands that the Tie Poles were previously permitted. However, the Tie Poles are not reflected in WN Permit No. P48100-18 (attached) or the 2021 Application – which is contrary to Code § 58-550(e)(7)b.5. (private dock applications must show the locations of existing structures). Moreover, the Applicant commenced construction on the Floating Dock prior to WN permit issuance. It follows that a five-times after-the-fact WN permit application fee is justified on separate grounds.

WN Staff and I are hopeful that this matter can be resolve this matter amicably. I am available to discuss at your leisure.

Thanks again for your patience. Have a great weekend.

Brendan Mackesey

Assistant County Attorney

Board Certified in City, County, and Local Government Law

Office: 727-464-3354

Cell: 703-919-3770

bmackesey@pinellascounty.org

All government correspondence is subject to the public records law.

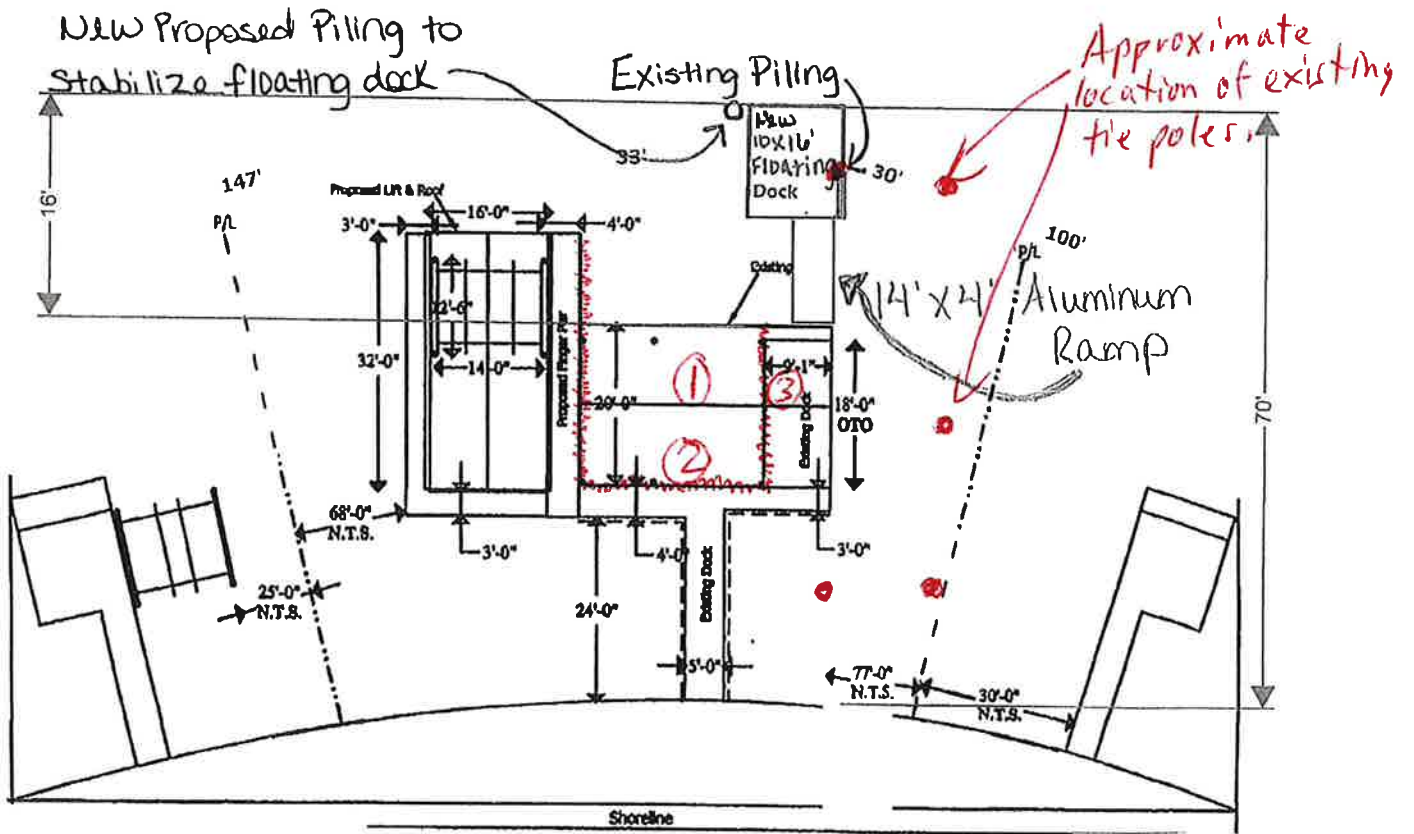
3612 E. Maritana

JOB: Kelly McFrederick

WATERWAY WIDTH: Over 500'

WATERSIDE WIDTH: 310'

* shows removal of covered dock and half of south Decked area



The _____ does not object to the proposed dock and requested variances as drawn in the space provided above.

Signature: _____

Left Owner

Date: _____

Signature: _____

Right Owner

Approved SPB Zoning
4/15/21 BB

**PINELLAS COUNTY WATER & NAVIGATION
315 COURT STREET, CLEARWATER, FLORIDA 33756**

ISSUED TO: PRIORITY MARINE, LLC FOR LEONARD & LISA SIGNORILE

**CONSTRUCTION SITE: 3612 EAST MARITANA DRIVE,
ST PETE BEACH, FL 33706**

DESCRIPTION: 07-32-16-21852-014-0060

Permit is valid for 1 year

TO REPORT START DATE AND COMPLETION DATE, CALL: (727) 464-3770

PERMIT NO. P48100-18

1. PERMITS MAY ALSO BE REQUIRED FROM THE FOLLOWING AGENCIES: FL D.E.P & U.S. ARMY C.O.E.
2. THE WATERS OF PINELLAS COUNTY ARE LOCATED WITHIN THE PINELLAS COUNTY & BOCA CIEGA BAY AQUATIC PRESERVE. SPECIAL REGULATIONS EXIST THAT GOVERN THE CONSTRUCTION WITHIN AN AQUATIC PRESERVE. PLEASE CONTACT THE FL D.E.P.
3. *THIS PERMIT IS VALID FOR A DOCK STRUCTURE ONLY.* ELECTRICAL WATER/SEWER INSTALLATIONS WILL REQUIRE SEPARATE PERMITS FROM THE APPROPRIATE (Municipal or County) BUILDING DEPARTMENT.
4. THIS PERMIT IS SUBJECT TO A 30 DAY APPEAL PERIOD FROM DATE OF ISSUE- CHAPTER 31182, SPECIAL ACTS OF FLORIDA, 1955 AS REVISED.

CLERK:
KEN BURKE

By: *Janice Dewese*
Deputy Clerk

DATE OF ISSUANCE:

04-17-18

FINAL INSPECTION:

_____/_____/_____

**THIS PERMIT IS REQUIRED TO BE
POSTED IN A CONSPICUOUS LOCATION
AT THE CONSTRUCTION SITE.**

Direct all correspondence to:

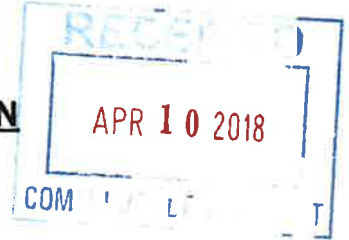
Clerk, Water & Navigation, 5th Floor
315 Court Street
Clearwater, FL 33756

Application # P48100-18
(OFFICIAL USE ONLY)

5650 # 2771

PRIVATE DOCK PERMIT APPLICATION

(55859) PINELLAS COUNTY WATER & NAVIGATION



I. PROPERTY OWNER INFORMATION:

A. Applicant's Name: Leonard & Lisa Signorile
B. Mailing Address: 3612 E. Maritana Dr.
City: St. Pete Beach State: FL Zip: 33706-3919
C. Telephone No: 770.713.4924 E-Mail Address: lennyats@outlook.com

II. AGENT INFORMATION:

A. Name: Priority Marine
B. Address: 200 Midway Is
City: Clearwater State: FL Zip: 33767
C. Telephone No: 813.318.2811 E-Mail Address: Jason@prioritymarine.com

III. SITE INFORMATION:

A. Construction Site Address: 3612 E. Maritana Dr.
City: St. Pete Beach State: FL Zip: 33706-3919
B. Parcel ID Number: 07-32-16-21852-014-0060
C. Incorporated: Unincorporated: St. Pete Beach
D. Affected Water Body: McPherson Bayou
E. Previous Permits: P43094-13
F. Date applicant assumed property ownership: Aug./2016
month/year
G. Obstructions: (Dogs, Fences, etc.) None
H. Attach 8 1/2"x11" vicinity map showing specific project location.
I. All other information pursuant to Section 166-328, Pinellas County Code, as needed.
J. For projects requiring a public hearing, attach a copy of the complete legal description.

P48100-18

Application #

(OFFICIAL USE ONLY)

IV. PROJECT DESCRIPTION:

A. Nature & Size of Project: Build 4'x35' dock addition, 3' wide wrap around Catwalk, Install 16k Hi-Tide Gear Dr Boat Lift & build 16'x32' Gable roof

Square Feet: 530

B. Variance: Yes [] No [x]

Amounty in variance: Length: Width:

Left: Right:

Other:

NOTE: It is the applicant's responsibility to clearly demonstrate that any requested variances are consistent with the variance criteria of Section 166-291 of the Pinellas County Code. The applicant must demonstrate that a literal enforcement of the regulations would result in an extreme hardship due to the unique nature of the project and the applicant's property. The hardship must not be created by actions(s) of the project owner(s). The granting of the variancee must be in harmony with the general intent of the regulations and not infringe upon the property rights of others. The variance requested must be the minimum possible to allow for the reasonable use of the applicant's property. Should the applicant fail to demonstrate that any variance request is consistent with the criteria outlined in the regulations, staff cannot recommend approval of the application.

V. CONTRACTOR INFORMATION:

I, William Templeman, a certified contractor, state that the dock has not been constructed and that it will be built in compliance with all requirements and standards set forth in the Pinellas County Code, and in accordance with the attached drawings which accurately represent all the information required to be furnished. In the event that this dock is not built in accordance with the permit or the information furnished is not correct, I agree to either remove the dock or correct the deficiency.

Signed: [Signature] Cert No.: CGC1512989

Company Name Priority Marine Telephone No.: 727.447.1373

City: Clearwater State: FL Zip: 33767

Email Address: Bill@prioritymarine.com

VI. OWNER'S SIGNATURE:

I hereby apply for a permit to do the above work and state that the same will be done according to the map or plan attached hereto and made a part hereof, and agree to abide by the criteria of the Pinellas County Code for such construction and, if said construction is within the corporate limits of a municipality, to first secure approval from said municipality. I further state that said construction will be maintained in a safe condition at all times, should this application be approved, that I am the legal owner of the upland from which I herein propose to construct the improvements, and that the above stated agent/contractor may act as my representative. I understand that I, not Pinellas County, am responsible for the accuracy of the information provided as part of this application and that it is my responsibility to obtain any necessary permits and approvals applicable for the proposed activities on either private or sovereign owned submerged land.

3/30/2018 [x] [Signature] Legal Owner's Signature

Priority Marine
 200 Midway Is
 Clearwater, FL 33767
 CGC1512989
 O: 727.447.1373 C: 813.318.2811
 Jason@prioritymarine.com
 www.prioritymarine.com

JOB: Leonard & Lisa Signorile
 3612 E. Maritana Dr.
 St. Pete Beach, FL 33706-3919
 770.713.4924

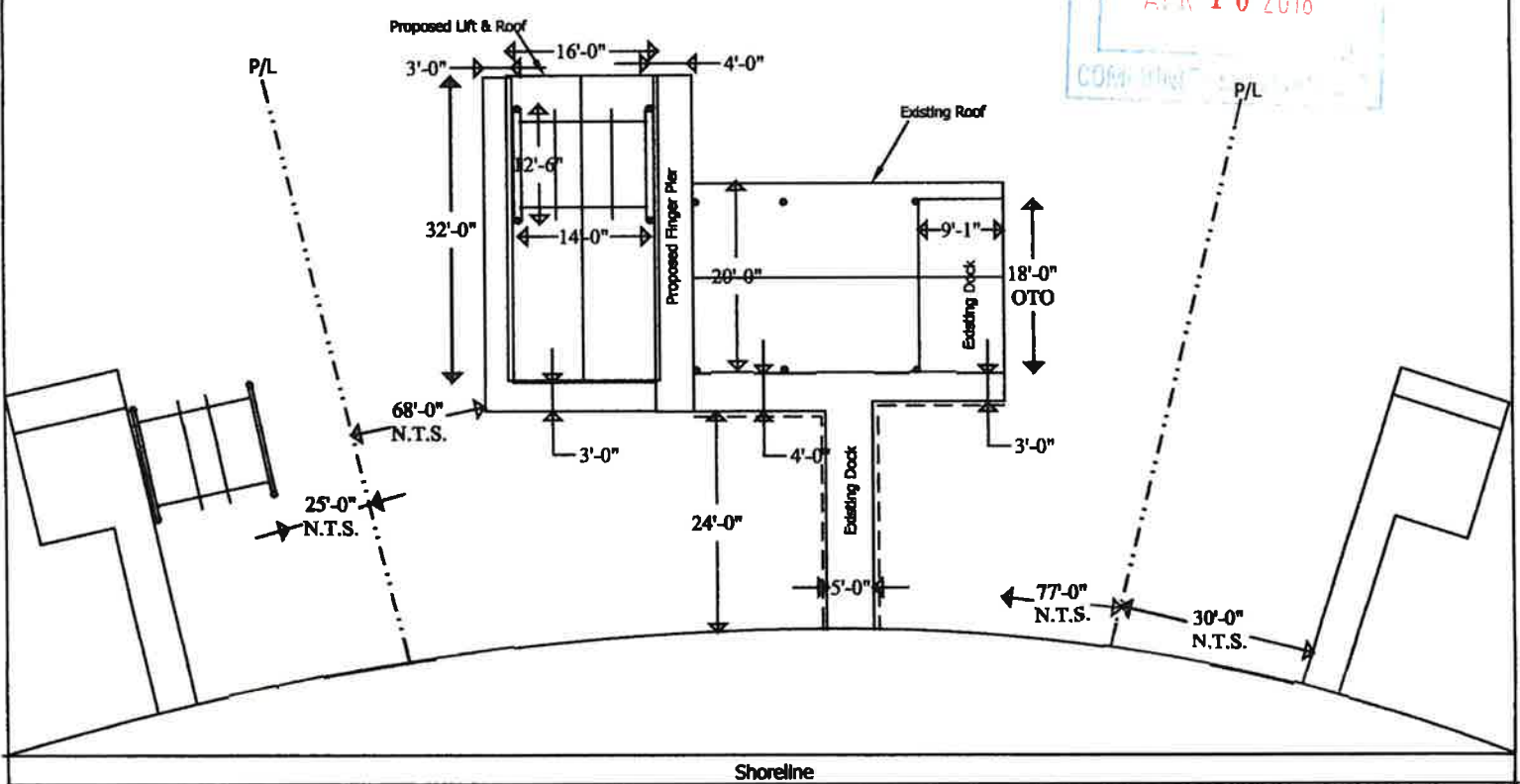
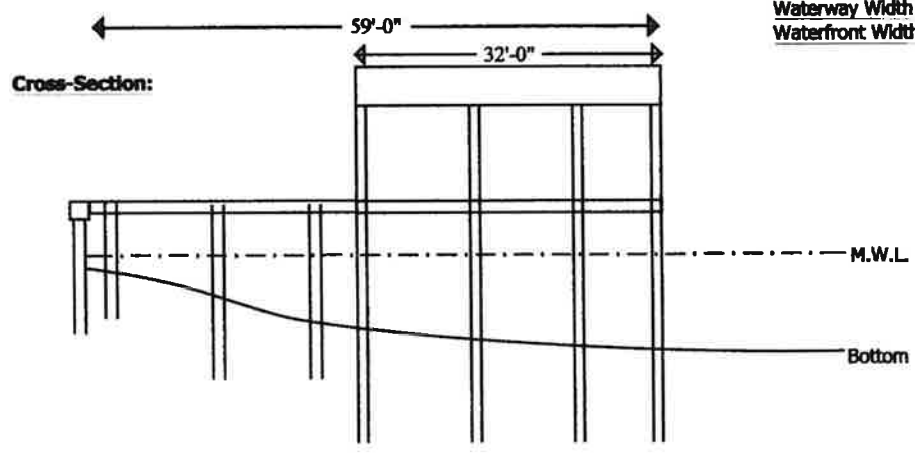
Customers Approval Signature: _____

Date: April 9, 2018

Scale: 1" = 10'

P48100-18

Total Square Feet 690 + roof.
 New Square Feet 290 + roof.
 Waterway Width 500'+
 Waterfront Width 200'



The undersigned does not object to the proposed dock and requested variances as drawn in the space provided above.

Left Owner

Signature: _____ Date: _____

Right Owner

Signature: _____ Date: _____

Municipality Approval

APPROVED ZONING

DATE Hecky Harman 4/11/18

[Signature]

Water and Navigation Approval

Application # _____

(OFFICIAL USE ONLY)

DISCLOSURE FORM

In order to alleviate any potential conflict of interest with Pinellas County staff, it is required that the County be provided with a listing of PERSONS being party to a trust, corporation, or partnership, as well as anyone who may have beneficial interest in the application which would be affected by any decision rendered by the County (attach additional sheets if necessary).

A. PROPERTY OWNERS:

Name: Leonard & Lisa Signorile
Address: 3612 E. Maritana Dr.
St. Pete Beach, FL 33706-3919

Name: _____
Address: _____

Name: _____
Address: _____

Name: _____
Address: _____

B. REPRESENTATIVES:

Name: Priority Marine
Address: 200 Midway Is
Clearwater, FL 33767

Name: _____
Address: _____

Name: _____
Address: _____

Name: _____
Address: _____

C. OTHER PERSONS HAVING OWNERSHIP INTEREST IN THE SUBJECT PROPERTY:

Interest is: _____ contingent _____ absolute

Name: _____ specific interest held: _____

D. DOES A CONTRACT FOR SALE EXIST FOR THE SUBJECT PROPERTY? YES NO

If so, the contract is: _____ contingent _____ absolute

Name of parties to the contract: _____

E. DOES AN OPTION TO PURCHASE EXIST FOR THE SUBJECT PROPERTY? YES NO

Name of parties to the option: _____

F. OWNER'S SIGNATURE:

I hereby certify that the information stated above is complete, accurate, & true to the best of my knowledge

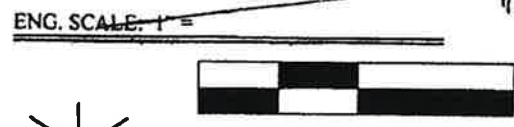
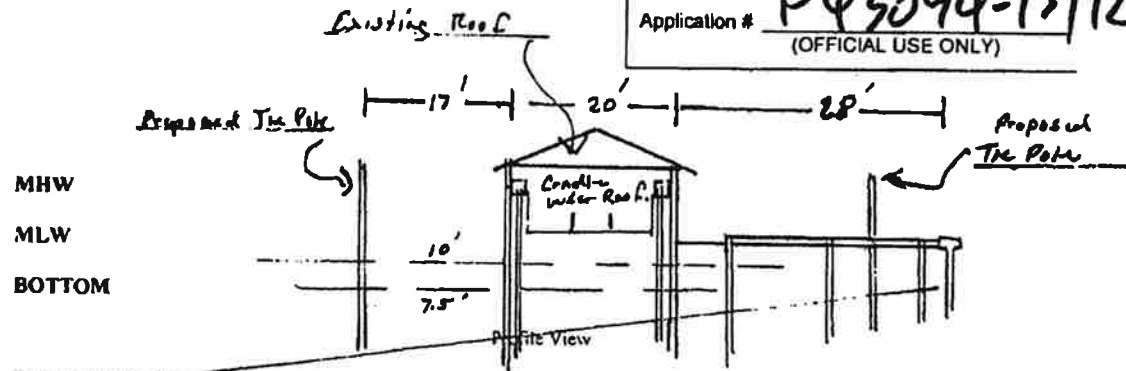
Leonard Signorile

Date: 3/30/2018

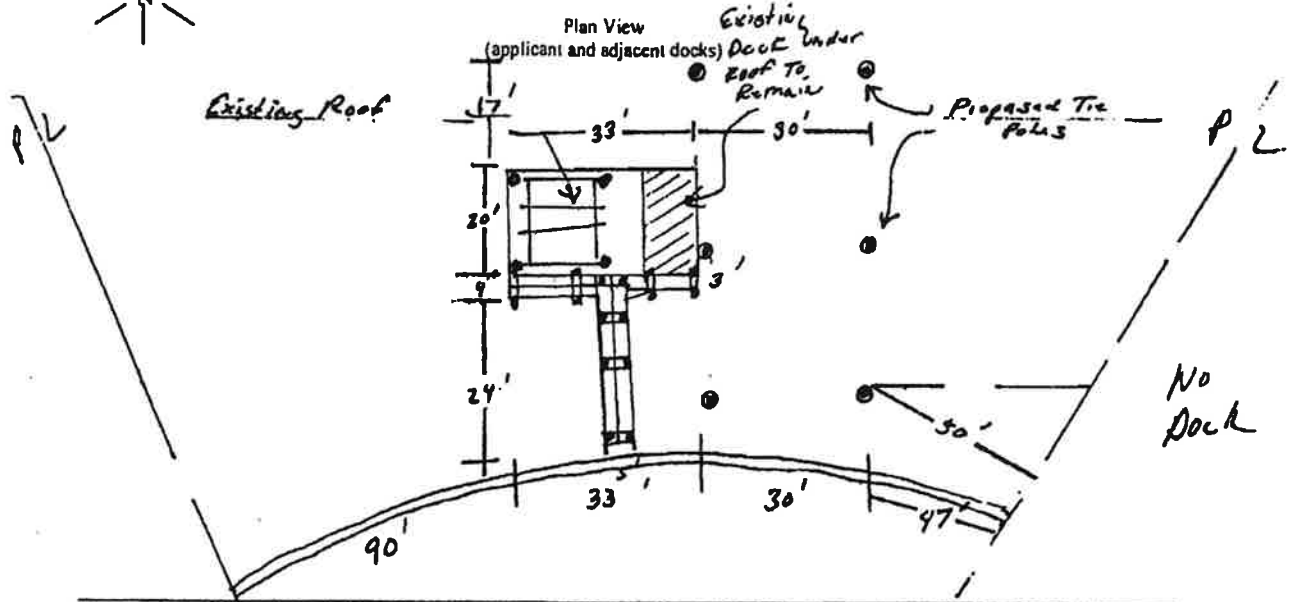
Attention: CONNER
 (Revised)
 C. J. PINELLAS COUNTY
 Fax: 453-3371
 OK 😊

PRIVATE DOCK

Application # P43094-13/REV
 (OFFICIAL USE ONLY)



TOTAL SQUARE FEET 290 + Roof
 NEW SQUARE FEET 0
 WATERWAY WIDTH over 500
 WATERFRONT WIDTH 200.00



SHORELINE
 The undersigned does not object to the proposed dock and requested variances as drawn in the space provided above.

Left Owner		Right Owner	
Signature	Date	Signature	Date
Municipality Approval		Water and Navigation Approval	

8 30. 2013 am

APPROVED
 PINELLAS COUNTY
 [Signature] 9/3/13