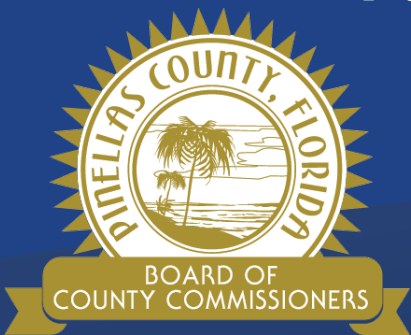


East Lake Road Improvements Project Update



Public Works Department



Our Vision: To Be the Standard for Public Service in America



Corridor Study Completed

Study Conducted

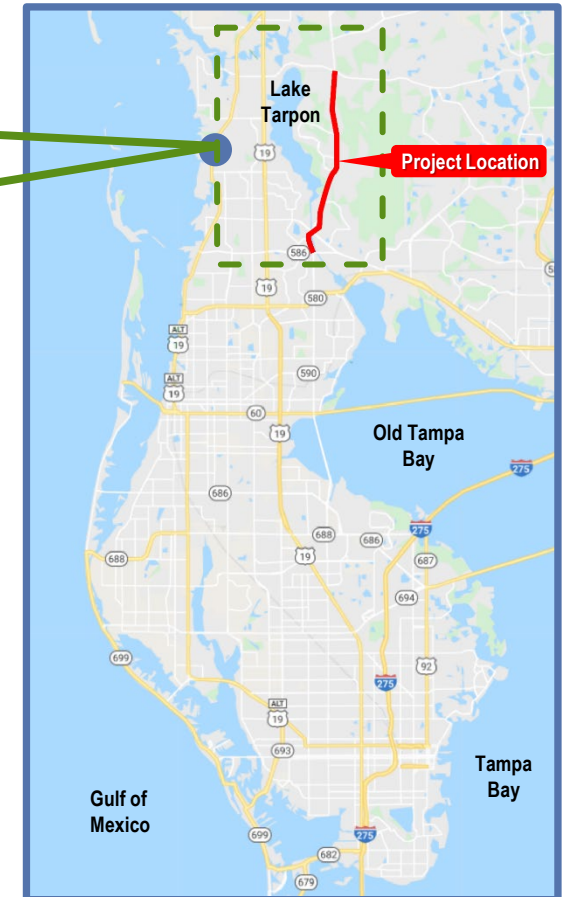
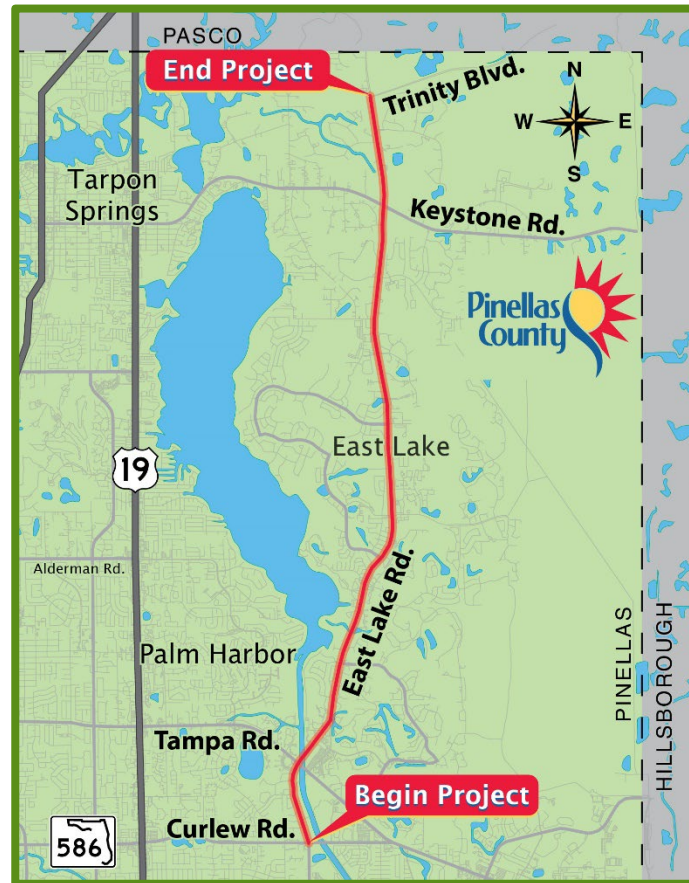
- May 2021-Oct 2022

Project Limits

- South of Curlew Road to north of Trinity Boulevard

Study Scope

- Examine existing conditions
- Evaluate needs and deficiencies
- Develop concepts for potential future improvements



Traffic Operations

- Existing capacity constraints
- Planning Level Capacity for 4-Lane Divided Arterial: **35,820**
- Existing Year 2021 Traffic Volumes: **41,000 to 62,000 (Indicates need for widening)**

Safety

- Total Crashes 2016 – 2020: **1,727**
- Number of Fatalities: **10**
- Crashes involving Pedestrian and/or Bicycles: **21**
- Predominant Crash Type: Rear End (**66%**) and Left-Turn (**11%**)

Projected Traffic Volumes



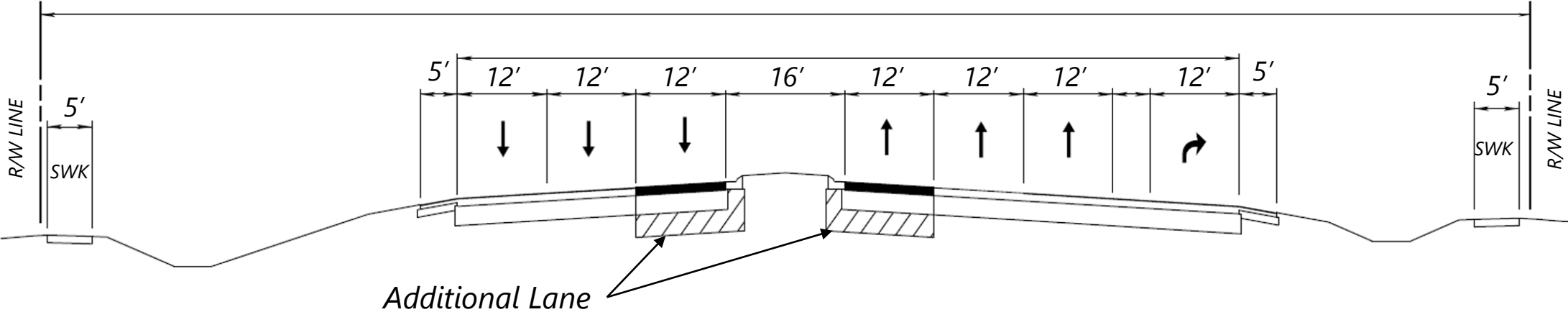
Existing and Projected Traffic at Intersections

Red = deficient

Intersection	Existing Daily Traffic	2045 Future Daily Traffic Projections
McMullen Booth Road south of Curlew Road	47,500	62,500
McMullen Booth Road from Curlew Road to south split	51,500	68,000
East Lake Business Road from Tampa Road to East Lake Road	19,000	25,000
East Lake Road from north split to Boot Ranch Boulevard / Woodlands Boulevard	62,000	82,000
East Lake Road from Boot Ranch Boulevard / Woodlands Boulevard to Sandy Point Road / Tarpon Woods Boulevard	61,000	80,000
East Lake Road from Sandy Point Road / Tarpon Woods Boulevard to Ridgemoor Boulevard / Village Center Boulevard	53,500	70,500
East Lake Road from Lansbrook Parkway / Cypress Woods Boulevard to Ridgeline Boulevard / Pine Ridge Boulevard	46,000	60,500
East Lake Road from Ridgeline Boulevard / Pine Ridge Boulevard to Forelock Road / Kensington Trace	45,000	59,500
East Lake Road from Forelock Road / Kensington Trace to Keystone Road	42,500	56,000
East Lake Road from Keystone Road to Crescent Oaks Boulevard	52,500	69,000
East Lake Road from Crescent Oaks Boulevard to Trinity Boulevard	52,500	69,000

- **Widening East Lake Road to 6 lanes**
- **Intersection Improvements**
 - **Conventional Intersection Improvements**
 - **Innovative Intersection Improvements**
 - DLT Displaced Left Turn
 - RCUT Restricted Crossing U-Turn
 - MUT Median U-turn
 - **Interchange Designs**

Both Widening East Lake Road and Intersection Improvements are Required to Meet Future Capacity Needs



Public Outreach During Study

- **Virtual Project Information Meeting**
 - **May 18, 2022**
- **In-Person Project Information Meeting**
 - **June 1, 2022**
- **Updates to Council of North County Neighborhoods (CNCN)**
- **Project Website**



Public Outreach Summary



- **Both opposition and support for widening the corridor**
- **Both opposition and support for intersection improvements**
- **Suggested alternatives including**
 - Widen US 19 instead of East Lake Road
 - Construct new road on new alignment
 - Construct light rail instead of widening
- **Concerns about impacts to wildlife**
- **Concerns about potential noise impacts**
- **Concerns about potential impacts at specific intersections**

Recommended Next Steps

- **Full PD&E Study and NEPA Analysis**
- **Determine Best Corridor Solutions and Project Phasing**
 - **Engineering Studies**
 - In-Depth Traffic/Operational Analyses
 - Safety/Access
 - Drainage
 - Costs
 - **Environmental Impacts**
 - Threatened and Endangered Species
 - Wetlands/Water Quality
 - Historical/Archaeological Sites
 - Noise
 - Recreation
 - **Additional Community Input**



Widen the Bridges over Tampa Road

- Roadway between Curlew Rd and Tampa Rd is 3 lanes in each direction.
- Roadway from north of Tampa Rd to Cove Dr is 3 lanes in each direction.
- The bridges could be widened to match these 3-lane approaches.
- Funding currently undetermined.



Questions?