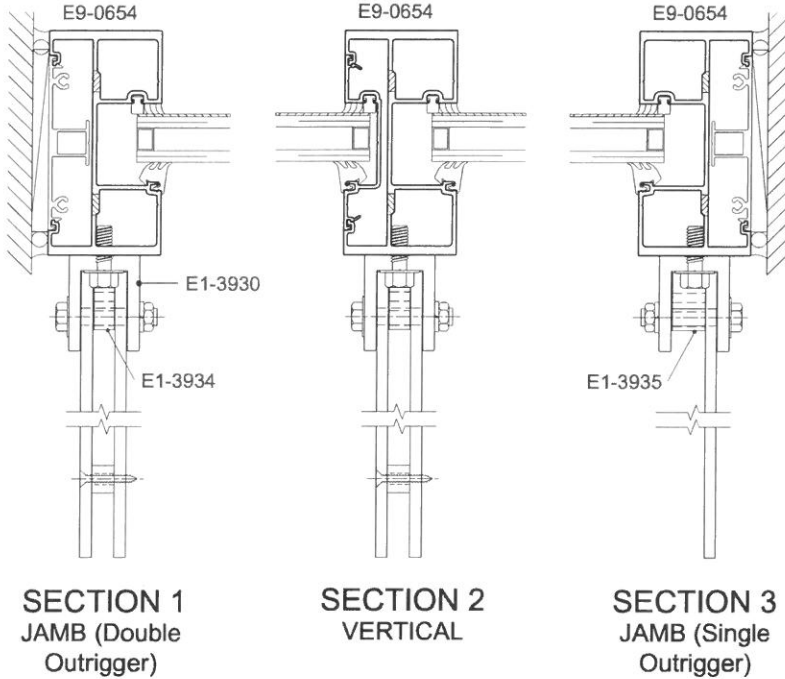
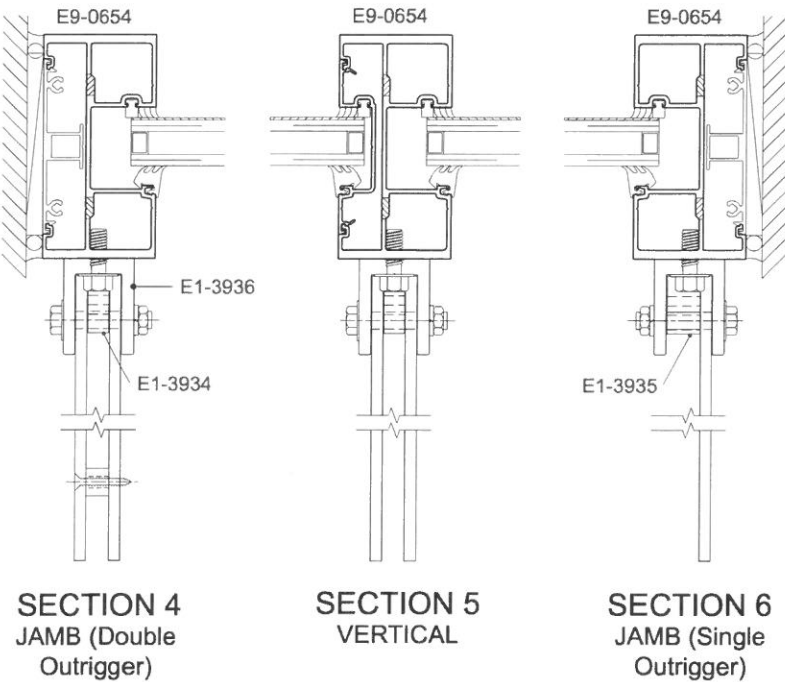
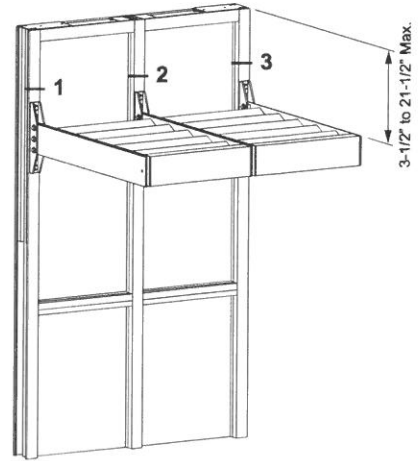


EXPOSED ANCHOR ATTACHMENT TO YHS 50 FI



Square Outrigger Shown,
All Outriggers Available

TYPE A



TYPE B

