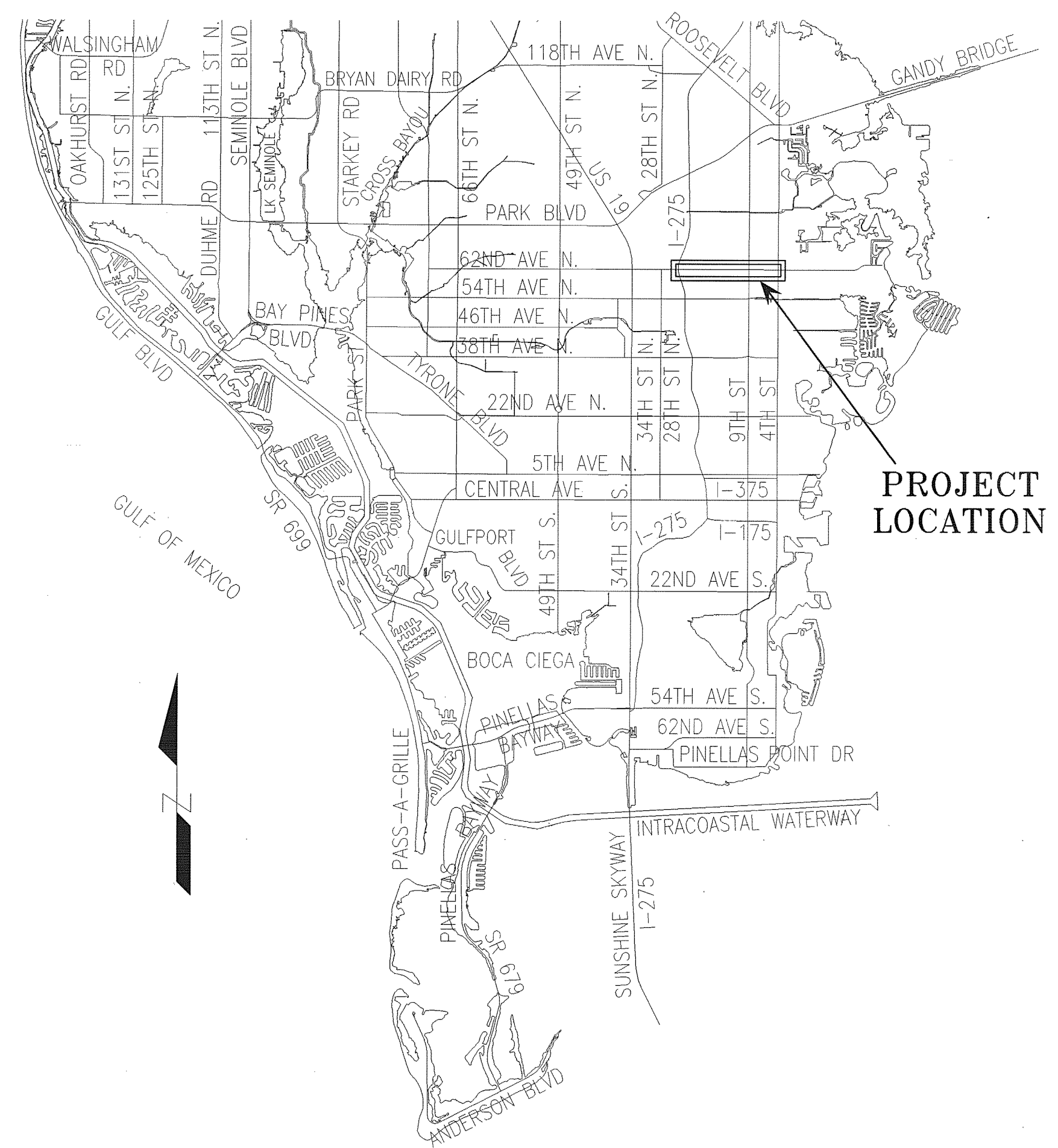


SECTION 35, TOWNSHIP 30 SOUTH, RANGE 16 EAST

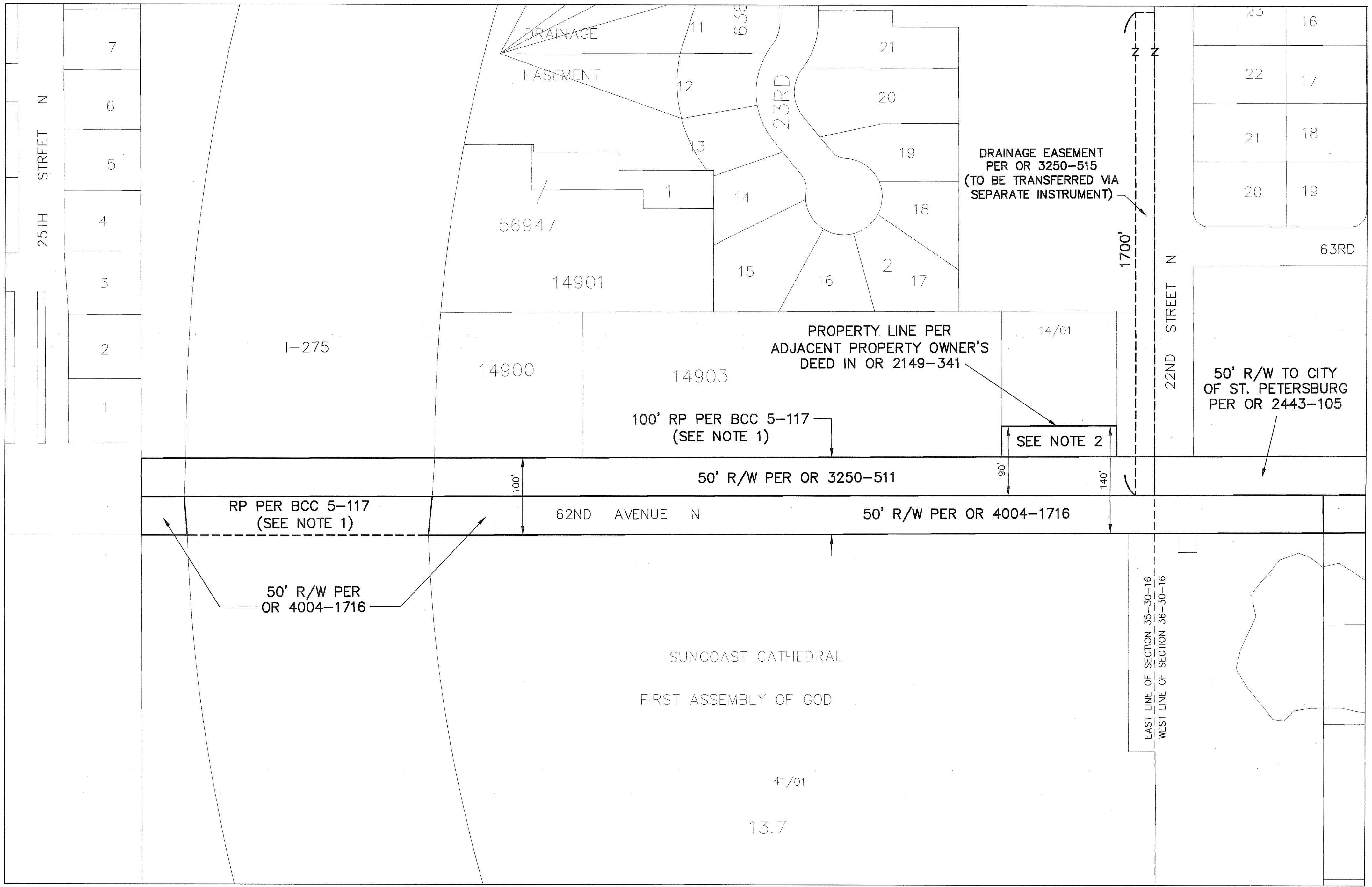
Road Plat Book C-409

PINELLAS COUNTY MAP



PROJECT LOCATION

SEE SHEET 5 OF 5 FOR TABLE OF ROAD SEGMENTS TRANSFERRED FROM PINELLAS COUNTY, FLORIDA TO THE CITY OF ST. PETERSBURG, FLORIDA

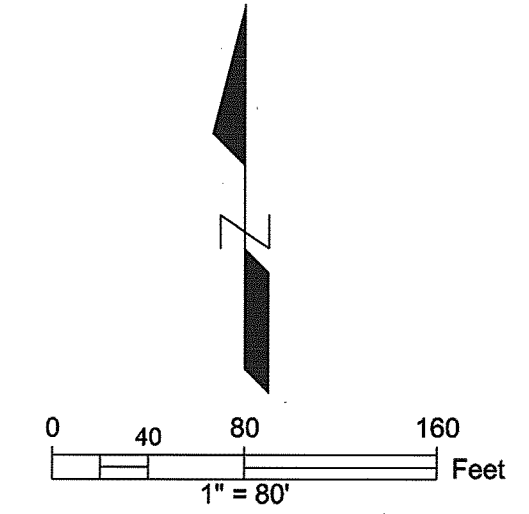


MATCH LINE - SEE SHEET 2

This Right-of-Way Transfer Map when recorded is an instrument of conveyance, transferring in accordance with Florida Statute 337.29 (2021) all right, title and interest of the County of Pinellas, Florida, in the road, street and/or highway as set forth on the map to the City of St. Petersburg, Pinellas County, Florida.

NOTE 1:
 Per Board of County Commissioners Minutes Book 5, Page 117, filed 11/1/1924, Washington Blvd. (now known as 62nd Avenue N) was petitioned to be established as a public road, having a width of 100 feet. The declaration of the petitioned road was not found.

NOTE 2:
 The adjacent property owner's deed, as recorded in OR Book 2149, Page 341, acknowledges, but does not dedicate, this area as right-of-way.



REVISIONS	BY	DATE	SURVEY BOOK No.	SURVEY SECTION	BY	DATE
				SURVEYED		
				TECHNICIAN		
				CHECKED		
				DESIGN SECTION		
				DESIGNED		
				DRAWN		
				CHECKED		

City of St. Petersburg
 62ND AVENUE NORTH

RIGHT-OF-WAY
 TRANSFER MAP
 (NOT A SURVEY)

PINELLAS COUNTY, FLORIDA
 PUBLIC WORKS
 SURVEY AND MAPPING DIVISION
 22211 U.S. HWY. 19 NORTH
 CLEARWATER, FLORIDA 33765-2347
 PHONE (727) 464-8904

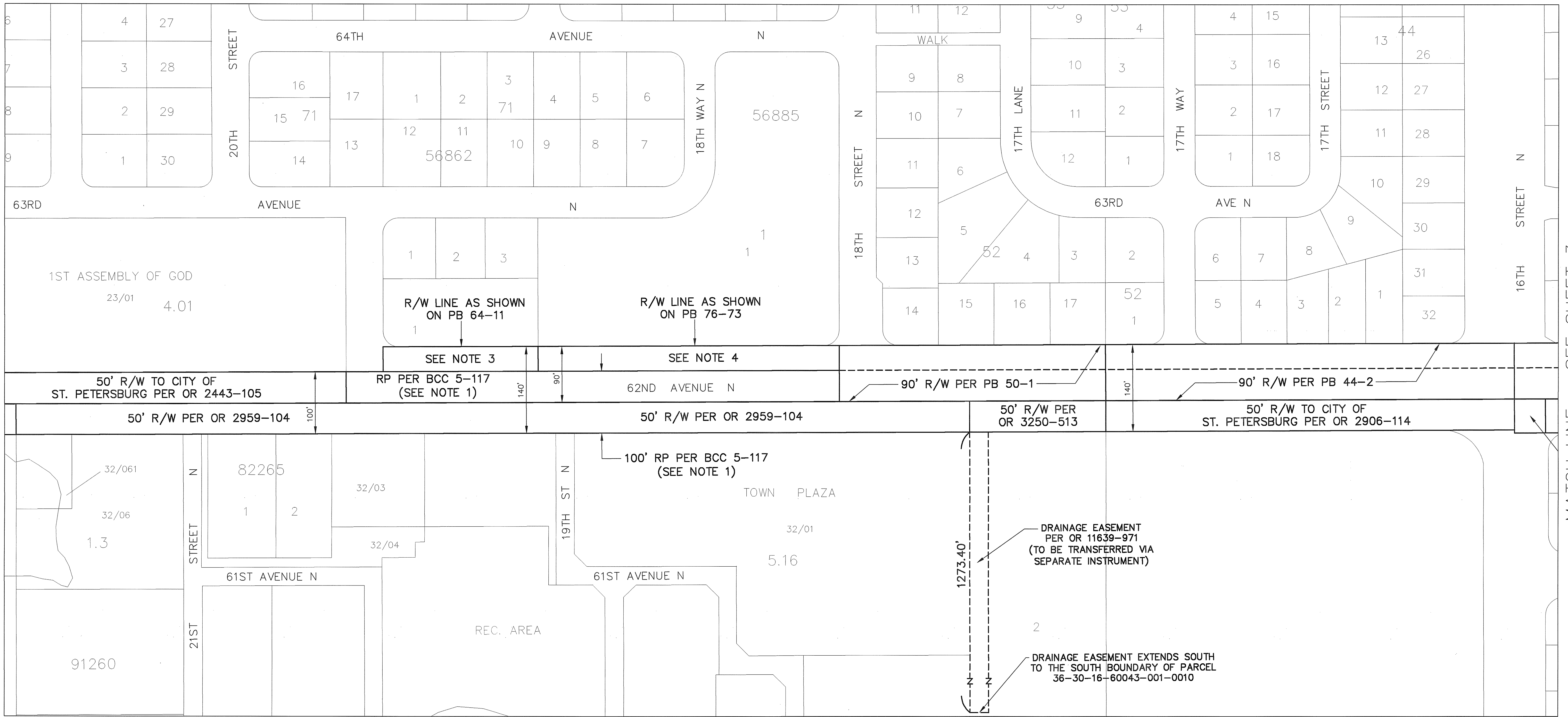
MAP DATE: 9/8/2021

SURVEY FILE NO.: 2011_00013
 PID.: 001851B
 f2011_00013_62 AVE N.dwg
 SHEET: 1 of 5 SP-4

S:\Divisions\Survey\Survey\SFN Projects\sf2011_00013\Phase 2\DWG\2011_00013_62 AVE N.dwg, Apr 19, 2022 - 10:46am

SECTION 36, TOWNSHIP 30 SOUTH, RANGE 16 EAST

Road Plat Book C-410



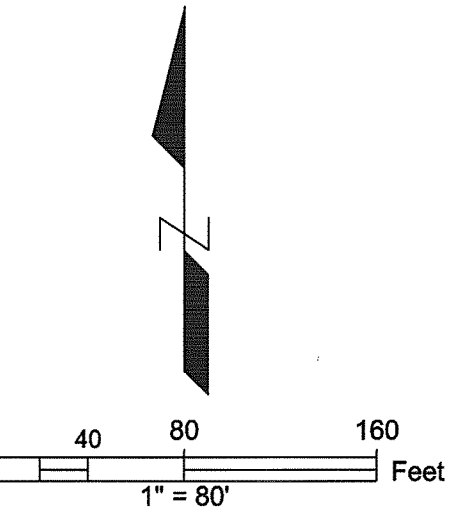
MATCH LINE - SEE SHEET 1

MATCH LINE - SEE SHEET 3

NOTE 1:
Per Board of County Commissioners Minutes Book 5, Page 117, filed 11/1/1924, Washington Blvd. (now known as 62nd Avenue N) was petitioned to be established as a public road, having a width of 100 feet. The declaration of the petitioned road was not found.

NOTE 3:
The adjacent plat of Meadowlawn 16th Addition, recorded in Plat Book 64, page 11, recognizes, but does not dedicate, this area as right-of-way.

NOTE 4:
The adjacent plat of Meadow Lawn Seventeenth Addition, recorded in Plat Book 76, page 73, recognizes, but does not dedicate, this area as right-of-way.

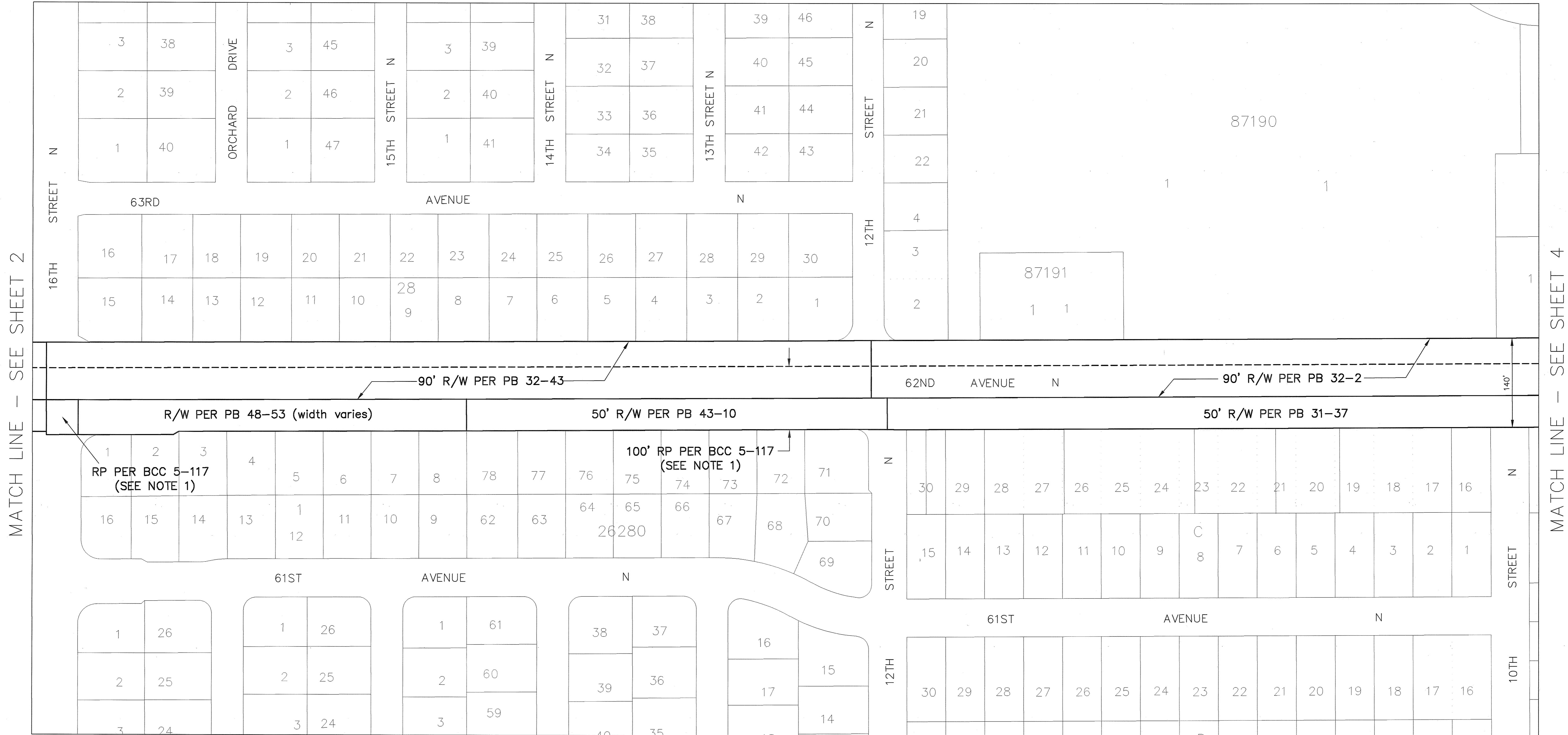


S:\Divisions\Survey\SFN Projects\Sfn2011_00013\Phase 2\DWG\2011_00013_AVE N.dwg, Apr. 19, 2022 - 10:49am

REVISIONS		BY	DATE	SURVEY BOOK No.:		City of St. Petersburg	RIGHT-OF-WAY TRANSFER MAP (NOT A SURVEY)	PINELLAS COUNTY, FLORIDA PUBLIC WORKS	SURVEY AND MAPPING DIVISION 22211 U.S. HWY. 19 NORTH CLEARWATER, FLORIDA 33765-2347 PHONE (727) 464-8904	MAP DATE: 9/8/2021	SURVEY FILE NO.: 2011_00013	
				SURVEY SECTION	BY DATE						PID.: 001851B	
				DESIGNED							f2011_00013_62 AVE N.dwg	
				DRAWN							SHEET: 2 of 5	
				CHECKED							SP-4	

SECTION 36, TOWNSHIP 30 SOUTH, RANGE 16 EAST

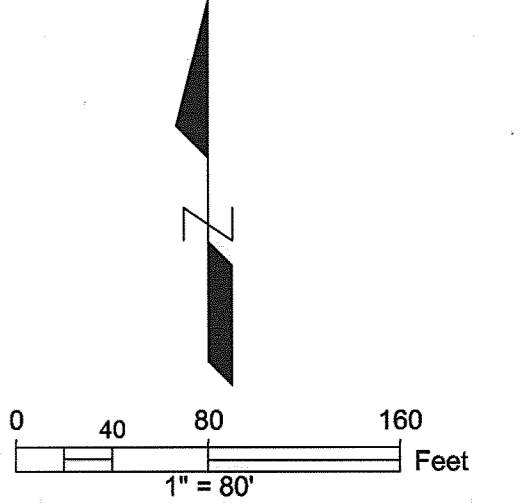
Road Plat Book C-411



MATCH LINE - SEE SHEET 2

MATCH LINE - SEE SHEET 4

NOTE 1:
 Per Board of County Commissioners Minutes Book 5, Page 117, filed 11/1/1924, Washington Blvd. (now known as 62nd Avenue N) was petitioned to be established as a public road, having a width of 100 feet. The declaration of the petitioned road was not found.



S:\Divisions\Survey\SFN Projects\sf2011_00013\Phase 2\DWG\2011_00013_62 AVE N.dwg, Apr 19, 2022 - 10:50am

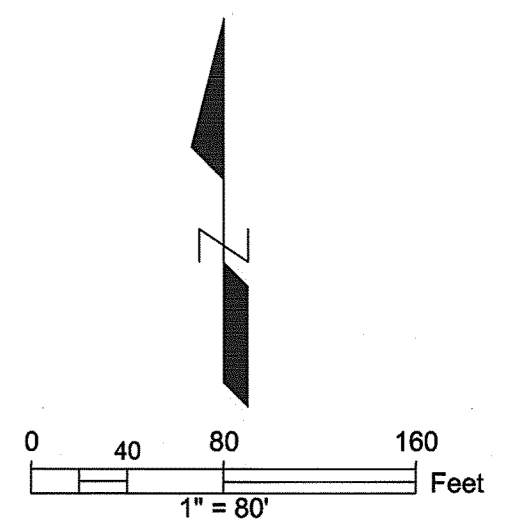
REVISIONS	BY	DATE	SURVEY BOOK No.: SURVEY SECTION BY DATE SURVEYED . . . TECHNICIAN . . . CHECKED . . . DESIGN SECTION DESIGNED . . . DRAWN . . . CHECKED . . .	City of St. Petersburg 62ND AVENUE NORTH	RIGHT-OF-WAY TRANSFER MAP (NOT A SURVEY)	PINELLAS COUNTY, FLORIDA PUBLIC WORKS SURVEY AND MAPPING DIVISION 22211 U.S. HWY. 19 NORTH CLEARWATER, FLORIDA 33765-2347 PHONE (727) 464-8904	MAP DATE: 9/8/2021	SURVEY FILE NO.: 2011_00013 PID.: 001851B f2011_00013_62 AVE N.dwg SHEET: 3 of 5 SP-4
------------------	-----------	-------------	---	---	--	---	--------------------	---

SECTION 31, TOWNSHIP 30 SOUTH, RANGE 17 EAST

Road Plat Book C-412



NOTE 1:
 Per Board of County Commissioners Minutes Book 5, Page 117, filed 11/1/1924, Washington Blvd. (now known as 62nd Avenue N) was petitioned to be established as a public road, having a width of 100 feet. The declaration of the petitioned road was not found.



S:\Divisions\Survey\Survey\SFN Projects\sfm2011\sfm2011_00013\Phase 2\DWG\2011_00013_62 AVE N.dwg, Apr 19, 2022 - 10:52am

REVISIONS	BY	DATE	SURVEY BOOK No.:
			SURVEY SECTION
			BY
			DATE
			SURVEYED
			TECHNICIAN
			CHECKED
			DESIGN SECTION
			DESIGNED
			DRAWN
			CHECKED

City of St. Petersburg
62ND AVENUE NORTH

**RIGHT-OF-WAY
 TRANSFER MAP**
 (NOT A SURVEY)

PINELLAS COUNTY, FLORIDA
 PUBLIC WORKS
 SURVEY AND MAPPING DIVISION
 2221 U.S. HWY. 19 NORTH
 CLEARWATER, FLORIDA 33765-2347
 PHONE (727) 464-8904

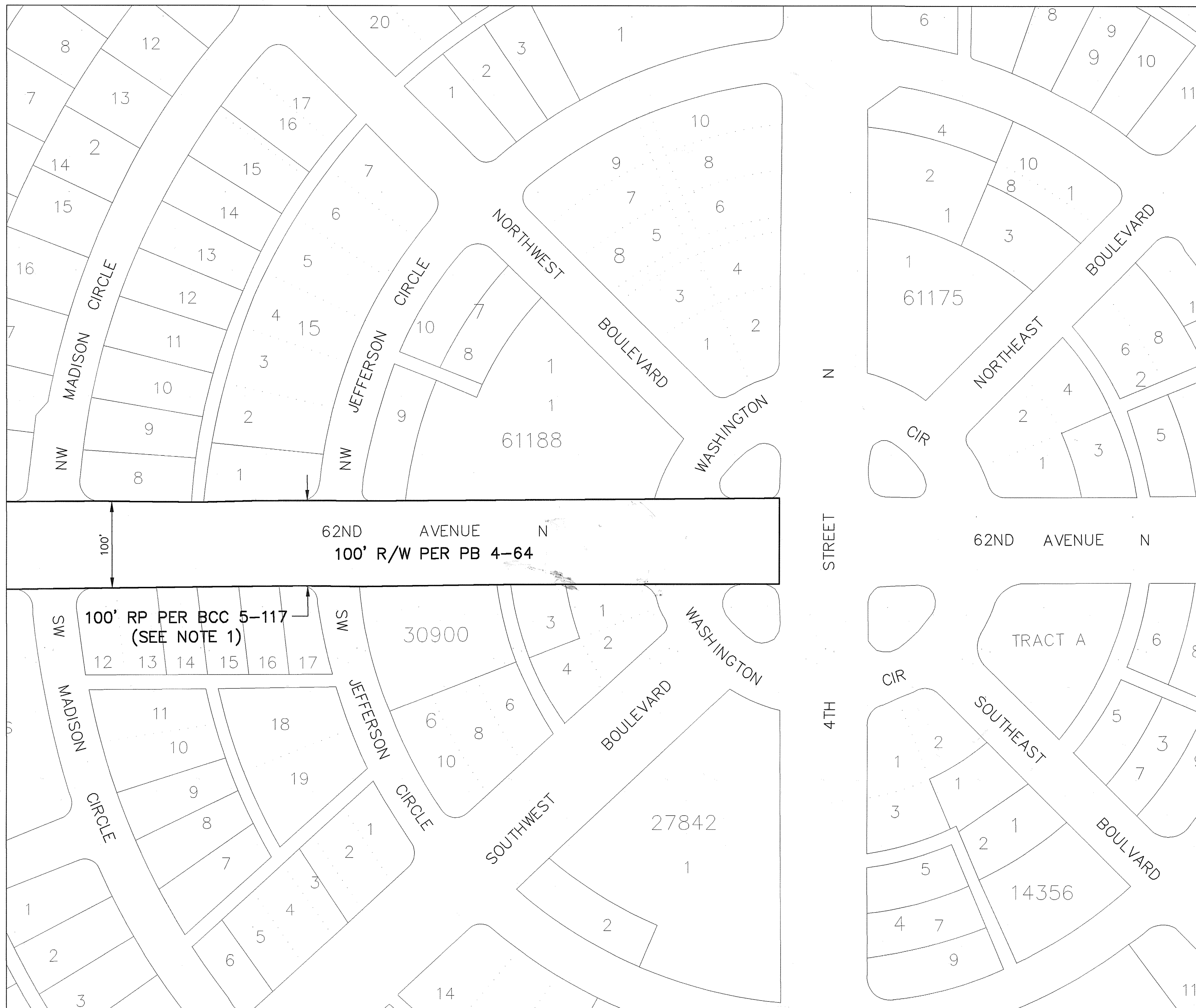
MAP DATE: 9/8/2021

SURVEY FILE NO.: 2011_00013
 PID.: 001851B
 f2011_00013_62 AVE N.dwg
 SHEET: 4 of 5 SP-4

SECTION 31, TOWNSHIP 30 SOUTH, RANGE 17 EAST

Road Plat Book C-413

MATCH LINE - SEE SHEET 4



ROAD SEGMENTS TRANSFERRED FROM PINELLAS COUNTY, FLORIDA TO THE CITY OF ST. PETERSBURG, FLORIDA

Road Name	From	To	Centerline Miles	Plat Name or Document Type	Book and Page
62nd Ave N	I-275	4th St N		Road Petition	BCC 5-117
				Deed	OR 3250-511
				Deed	OR 4004-1716
				Deed	OR 2959-104
				Deed	OR 3250-513
				Meadow Lawn Tenth Addition	PB 50-1
				Meadow Lawn Ninth Addition	PB 44-2
				Meadow Lawn Second Addition	PB 32-43
				Euclid Estates	PB 48-53
				Euclid Highlands	PB 43-10
				Meadow Lawn Sub	PB 32-2
				Salinas' Euclid Park Sub	PB 31-37
				Stroud Replat	PB 40-22
				Plan of North St. Petersburg Block 93 Partial Replat	PB 56-35
				North St. Petersburg Block 92 Second Partial Replat	PB 69-90
Plan of North St. Petersburg	PB 4-64				
Total			1.71		

NOTE: The table above is a list of the supporting right-of-way instruments that were found. The extents of the transfer are depicted with bold continuous and bold dashed line types on the map.

Pinellas County's rights in the entire width of petitioned right-of-way may be unknown. The City shall be responsible for determining the rights obtained by virtue of the petition and subsequently obtained by the City by virtue of this transfer.

Together with interests of Pinellas County, if any, within a parcel conveyed to the City of St. Petersburg as recorded in OR 2443-105.

Together with interests of Pinellas County, if any, within a parcel conveyed to the City of St. Petersburg as recorded in OR 2906-114.

EASEMENTS TRANSFERRED FROM PINELLAS COUNTY, FLORIDA TO THE CITY OF ST. PETERSBURG, PINELLAS COUNTY, FLORIDA

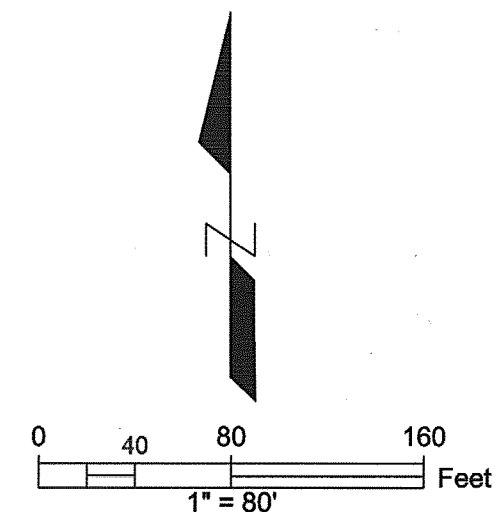
- OR 3250-515 - Drainage Easement - To be transferred via separate instrument.
- OR 11639-971 - Drainage Easement - To be transferred via separate instrument.

LEGEND

- PB Plat Book
- PB H Plat Book recorded prior to 1912
- OR Official Record
- DB Deed Book
- SUB Subdivision
- R/W Right-of-way
- RP Road Petition
- (P) Plat
- BCC Board of County Commissioners Minutes Book

All plats, deeds and easements referenced hereon are recorded in the Public Records of Pinellas County, Florida.

NOTE 1:
Per Board of County Commissioners Minutes Book 5, Page 117, filed 11/1/1924, Washington Blvd. (now known as 62nd Avenue N) was petitioned to be established as a public road, having a width of 100 feet. The declaration of the petitioned road was not found.



S:\Divisions\Survey\SFN Projects\sfm2011\00013\Phase 2\DWG\2011_00013_62 AVE N.dwg, Apr 19, 2022 - 10:53am

REVISIONS BY DATE SURVEY BOOK No.: SURVEY SECTION BY DATE SURVEYED TECHNICIAN CHECKED DESIGN SECTION DESIGNED DRAWN CHECKED	City of St. Petersburg 62ND AVENUE NORTH		RIGHT-OF-WAY TRANSFER MAP (NOT A SURVEY)		PINELLAS COUNTY, FLORIDA PUBLIC WORKS SURVEY AND MAPPING DIVISION 22211 U.S. HWY. 19 NORTH CLEARWATER, FLORIDA 33765-2347 PHONE (727) 464-8904		SURVEY FILE NO.: 2011_00013 PID.: 001851B f2011_00013_62 AVE N.dwg SHEET: 5 of 5 SP-4	
	MAP DATE: 9/8/2021							