

FLORIDA DESIGN CONSULTANTS
 20525 AMBERFIELD DRIVE, SUITE 201
 LAND O' LAKES, FLORIDA 34638
 SURVEY AND MAPPING SECTION
 PHONE: (800) 532-1047
 WWW.FLDESIGN.COM



**FLORIDA DESIGN
 CONSULTANTS, INC.**
 — THINK IT. ACHIEVE IT. —

**SECTION 2, TOWNSHIP 28 SOUTH, RANGE 15 EAST
 DESCRIPTION**

LEGAL DESCRIPTION:

A parcel of land being a portion of Section 2, Township 28 South, Range 15 East, Pinellas County, Florida, being more particularly described as follows:

COMMENCE at the Southeast corner of Lot 5, according to the plat of OSPREY POINT, as recorded in Plat Book 98, Page 10, of the Public Records of Pinellas County, Florida; thence N33°31'22"E, along the East line of said Lot 5, according to the Plat of OSPREY POINT (being the basis of bearings for this legal description), for 27.49 feet to the POINT OF BEGINNING; thence leaving said East line of Lot 5, N65°05'27"W, for 9.87 feet to the point of intersection with the Wetland Jurisdictional Delineation line established by Birkitt Environmental Services, Inc. on 3-11-2021; thence N17°32'55"E, along said Wetland Jurisdictional Delineation line, for 6.05 feet; thence leaving said Wetland Jurisdictional Delineation line, S65°05'27"E, for 16.02 feet; thence S35°58'05"E, for 14.58 feet to the point of intersection with the mean High Water Line Elevation 0.82 feet, North American Vertical Datum, 1988 adjustment (NAVD88), according to the Florida Department of Environmental Protection, File Number 8019; thence S35°07'05"W, along said Mean High Water line for 6.19 feet; thence leaving said Mean High Water line, N46°51'17"W, for 0.76 feet; thence, N35°58'05"W, for 14.28 feet; thence N65°05'27"W, for 3.82 feet to the POINT OF BEGINNING;

Containing 178 square feet or 0.004 acres, more or less.

Revision 1: Addressing County Comments 10-7-2021
 Revision 2: Addressing County Comments 10-8-2021

Additions or deletions by other than the Professional Surveyor and Mapper in responsible charge are prohibited. Sketch and/or Description is invalid without the original signature and seal of the Professional Surveyor and Mapper.

CALCULATED BY: RCW3	The above Sketch and Land description was prepared under my supervision and is true and correct to the best of my knowledge and belief. By: <u>[Signature]</u> DATE <u>10-8-2021</u> JARED T. PATENAUDE, PROFESSIONAL SURVEYOR AND MAPPER LICENSE NUMBER: 6971 STATE OF FLORIDA, PHONE # (800) 532-1047
CHECKED BY: JTP	
S.F.N.: F1332_00541	

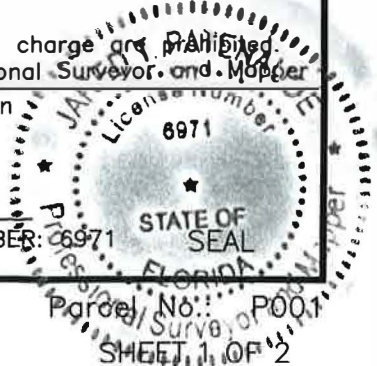


EXHIBIT A

FLORIDA DESIGN CONSULTANTS
 20525 AMBERFIELD DRIVE, SUITE 201
 LAND O' LAKES, FLORIDA 34638
 SURVEY AND MAPPING SECTION
 PHONE: (800) 532-1047
 WWW.FLDESIGN.COM



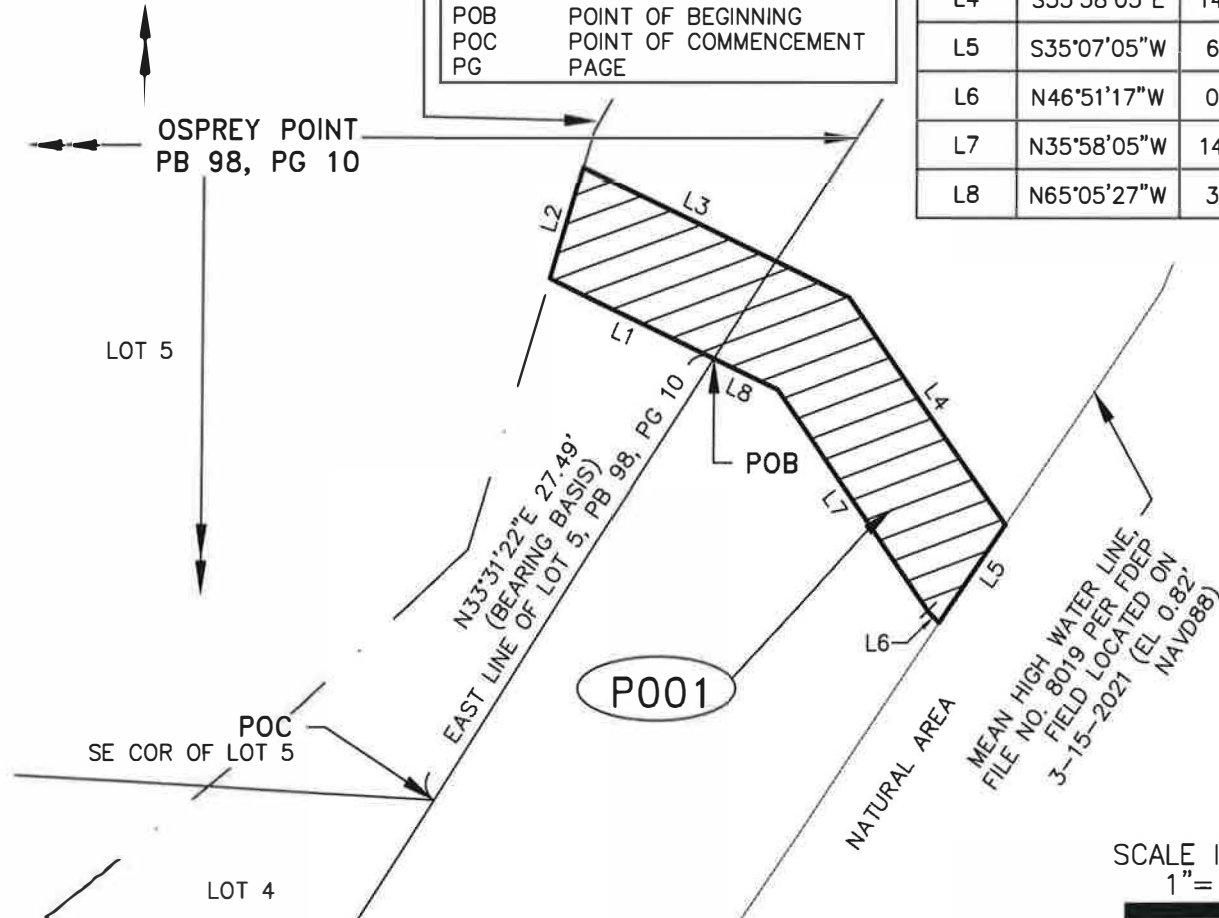
FLORIDA DESIGN CONSULTANTS, INC.
 THINK IT. ACHIEVE IT.

SECTION 2, TOWNSHIP 28 SOUTH, RANGE 15 EAST
SKETCH - NOT A SURVEY

LEGEND	
COR	CORNER
EL	ELEVATION
FDEP	FLORIDA DEPARTMENT OF ENVIRONMENTAL PROTECTION
MHW	MEAN HIGH WATER
NAVD88	NORTH AMERICAN VERTICAL DATUM 1988 ADJUSTMENT
NO.	NUMBER
PB	PLAT BOOK
POB	POINT OF BEGINNING
POC	POINT OF COMMENCEMENT
PG	PAGE

LINE TABLE		
LINE #	BEARING	LENGTH
L1	N65°05'27"W	9.87'
L2	N17°32'55"E	6.05'
L3	S65°05'27"E	16.02'
L4	S35°58'05"E	14.58'
L5	S35°07'05"W	6.19'
L6	N46°51'17"W	0.76'
L7	N35°58'05"W	14.28'
L8	N65°05'27"W	3.82'

WETLAND JURISDICTIONAL DELINEATION LINE ESTABLISHED BY BIRKITT ENVIRONMENTAL SERVICES, INC. ON 3-11-2021



Revision 1: Addressing County Comments 10-7-2021
 Revision 2: Addressing County Comments 10-8-2021

SCALE IN FEET
 1" = 10'

Additions or deletions by other than the Professional Surveyor and Mapper in responsible charge are prohibited. Sketch and/or Description is invalid without the original signature and seal of the Professional Surveyor and Mapper.

CALCULATED BY: RCW3
 The above Sketch and Land description was prepared under my supervision and is true and correct to the best of my knowledge and belief.

CHECKED BY: JTP
 By: *[Signature]* DATE: 10-8-2021

S.F.N.: JARED T. PATENAUDE, PROFESSIONAL SURVEYOR AND MAPPER LICENSE NUMBER: 6971
 F1332_0054 STATE OF FLORIDA, PHONE # (800) 532-1047

