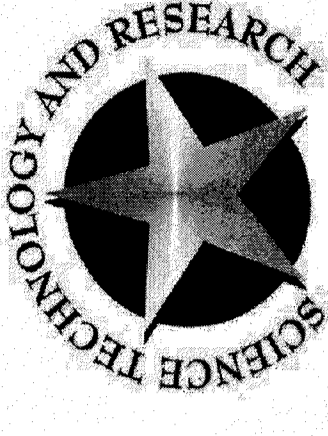


# YOUNG - RAINEY STAR CENTER REPLACE AHU-40 PINELLAS COUNTY GOVERNMENT LARGO, FLORIDA



**YOUNG - RAINEY  
 STAR  
 Center**

100% CONSTRUCTION DOCUMENTS

FEBRUARY 19, 2016

## INDEX OF DRAWINGS

- GENERAL**
- GS.1 SITE SHEET
  - SI.1 GENERAL NOTES, PARTIAL ROOF FRAMING PLAN & DETAILS
  - MD.1.1 DEMOLITION ROOF PLAN
  - MI.1 ROOF PLAN
  - MS.1 AHU-40 CONTROL DIAGRAM & SEQUENCE OF OPERATION
  - ED.1.1 DEMOLITION ROOF PLAN
  - ED.1.2 DEMOLITION ROOF PLAN
  - EI.2 ROOF PLAN

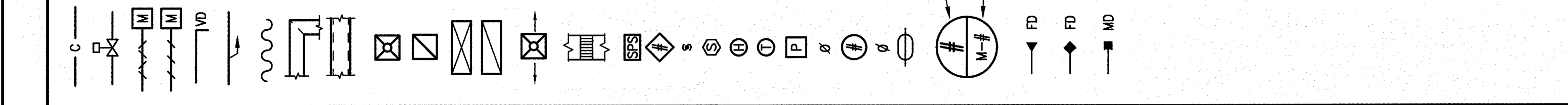


↑ NORTH  
 REGIONAL MAP



↑ NORTH  
 LOCAL MAP  
 YOUNG - RAINEY STAR CENTER  
 7887 Bryon Dairy Road, Suite 120  
 Largo, Florida 33777





AHU CONDENSATE DRAIN PIPING  
 SOLENOID VALVE, 2-WAY  
 MOTORIZED DAMPER, OPPOSED BLADE  
 MOTORIZED DAMPER, PARALLEL BLADE  
 MANUAL VOLUME DAMPER  
 DIRECTION OF PITCH  
 FLEX DUCT  
 90 ELL WITH TURNING VANES  
 DOUBLE WALL DUCT  
 SUPPLY AIR DEVICE  
 RETURN OR EXHAUST AIR DEVICE  
 SUPPLY DUCT SECTION  
 RETURN/EXHAUST AIR DUCT SECTION  
 DIRECTION OF FLOW  
 1-WAY, 2-WAY, 3-WAY OR 4-WAY  
 AIR FLOW MONITORING STATION  
 STATIC PRESSURE SENSOR  
 DDC POINT NUMBER  
 SWITCH (KEYED) - NIGHT OVERRIDE  
 DUCT SMOKE DETECTOR LOCATION  
 HUMIDITY SENSOR  
 THERMOSTAT OR TEMPERATURE SENSOR  
 ROOM PRESSURE CONTROLLER  
 ROUND, DIAMETER  
 CONSTRUCTION NOTE  
 PHASE  
 FLAT OVAL  
 SECTION OR DETAIL NUMBER  
 DRAWING WHERE SECTION OR DETAIL IS INDICATED  
 FIRE DAMPER - VERTICAL  
 FIRE DAMPER - HORIZONTAL  
 MOTORIZED DAMPER

ACT  
 AD-X  
 AD  
 AHU  
 AP  
 APD  
 AFF  
 ATC  
 BHP  
 BTUH  
 CFM  
 CHWR  
 CHWS  
 CKT  
 COMPR  
 CONN  
 CU  
 DB  
 DDC  
 DIA  
 DN  
 DX  
 EER  
 EF  
 EFF  
 ELEC  
 ENT  
 ESP  
 EXH  
 EXST  
 °F  
 FACP  
 FC  
 FT  
 FOB  
 FPI  
 FPM  
 GPM  
 GWB  
 HGBP  
 HP  
 HPS  
 HW  
 HWR  
 HWS  
 Hz  
 IN

ACoustICAL CEILING TILE  
 AIR DEVICE NO"X"  
 ACCESS DOOR (DUCT)  
 AIR HANDLING UNIT  
 ACCESS PANEL  
 AIR PRESSURE DROP  
 ABOVE FINISHED FLOOR  
 AUTOMATIC TEMPERATURE CONTROL  
 BRAKE HORSEPOWER  
 BRITISH THERMAL UNITS PER HOUR  
 CUBIC FEET PER MINUTE  
 CHILLED WATER RETURN  
 CHILLED WATER SUPPLY  
 CIRCUIT  
 COMPRESSOR  
 CONNECTION  
 CONDENSING UNIT  
 DRY BULB  
 DIRECT DIGITAL CONTROL  
 DIAMETER  
 DOWN  
 DIRECT EXPANSION  
 ENERGY EFFICIENCY RATIO  
 EXHAUST FAN  
 EFFICIENCY  
 ELECTRICAL  
 ENTERING  
 EXTERNAL STATIC PRESSURE  
 EXHAUST  
 EXISTING  
 DEGREES FAHRENHEIT  
 FIRE ALARM CONTROL PANEL  
 FLEX CONNECTION  
 FEET  
 FEET ON BOTTOM  
 FINS PER INCH  
 FEET PER MINUTE  
 GALLONS PER MINUTE  
 GYPSUM WALLBOARD  
 VEL  
 HOT GAS BYPASS  
 HORSEPOWER  
 HIGH PRESSURE SWITCH  
 HOT WATER  
 HOT WATER RETURN  
 HOT WATER SUPPLY  
 HERTZ  
 INCHES

KW  
 LBS  
 LLSV  
 LUG  
 MAX  
 MBH  
 MCA  
 MFR  
 MIN  
 MOP  
 MTD  
 NC  
 NTS  
 OA  
 OAF  
 OAU  
 OCC'D  
 OD  
 ΔP  
 PSI  
 RA  
 RH  
 RM  
 RLA  
 RPM  
 RTU  
 SA  
 SD  
 SENS  
 SP  
 SST  
 STR  
 SW  
 TYP  
 USV  
 UV  
 V  
 VAC  
 VAV  
 VEL  
 VFC  
 VTR  
 WG  
 WB  
 XFR

KILOWATTS  
 POUNDS  
 LIQUID LINE SOLENOID VALVE  
 LEAVING  
 MAXIMUM  
 1000 BTU/HOUR  
 MINIMUM CIRCUIT AMPACITY  
 MANUFACTURER  
 MINIMUM  
 MAXIMUM OVERCURRENT PROTECTION  
 MOUNTED  
 NOISE CRITERIA  
 NOT TO SCALE  
 OUTSIDE AIR  
 OUTSIDE AIR FILTER  
 OUTSIDE AIR HANDLING UNIT  
 ON CENTER  
 OCCUPIED  
 OUTSIDE DIAMETER  
 POUND PER SQUARE INCH (GAUGE)  
 RETURN AIR  
 RELATIVE HUMIDITY  
 ROOM  
 RATED LOAD AMPERES  
 REVOLUTION PER MINUTE  
 ROOFTOP UNIT  
 SUPPLY AIR  
 SMOKE DETECTOR  
 SENSIBLE  
 STATIC PRESSURE  
 SATURATED SUCTION TEMPERATURE  
 STARTER  
 SWITCH  
 TYPICAL  
 UNLOADER SOLENOID VALVE  
 ULTRAVIOLET  
 VOLTS  
 VOLT ALTERNATING CURRENT  
 VARIABLE AIR VOLUME  
 VELOCITY  
 VARIABLE FREQUENCY CONTROLLER  
 VENT THRU ROOF  
 WATER GAUGE  
 WET BULB  
 TRANSFER

LEGEND

**LONG & ASSOCIATES ARCHITECTS / ENGINEERS, INC.**  
 4525 S. Manhattan Ave., Tampa, FL 33611-2305  
 T: (813) 839-0506 F: (813) 839-4616 AAC001624 1828 CC01511025  
 www.longandassociates.com

TO THE BEST OF THE ARCHITECT'S KNOWLEDGE, ENGINEER'S AND/OR ENGINEER'S COMPLIANCE WITH THESE PLANS SHALL BE IN ACCORDANCE WITH THE APPLICABLE MINIMUM BUILDING CODES AND THE APPLICABLE FIRE-SAFETY STANDARDS.

**YOUNG - RAINY STAR CENTER**  
**REPLACE AHU-40**  
 FLORIDA  
 LARGO

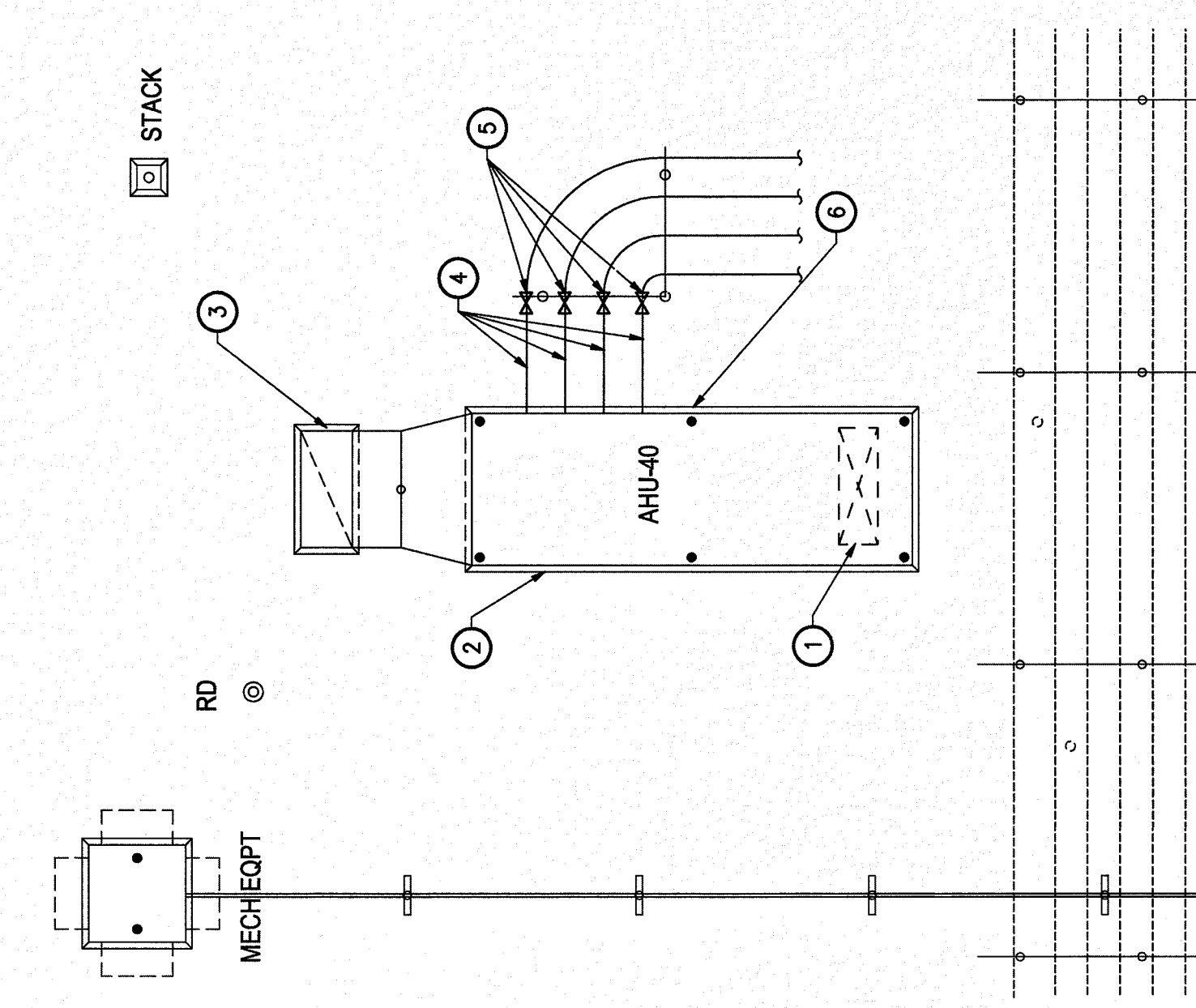
WILLIAM E. BROWN, P.E.  
 PE 57975  
 PROFESSIONAL ENGINEER  
 STATE OF FLORIDA  
 LICENSE NO. 57975

No.	Date	Issues & Revisions

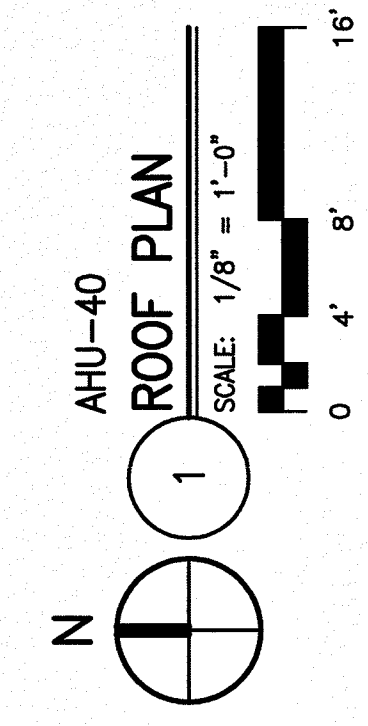
Phase 100% CONSTRUCTION DOCUMENTS  
 Drawn By: BB  
 Checked By: BB  
 Approved By: BB  
 Date: 02-19-2016  
 Feb 18, 2016 - 11:40am

**DEMOLITION ROOF PLAN**

**MD 1.1**

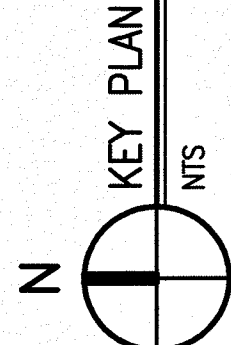
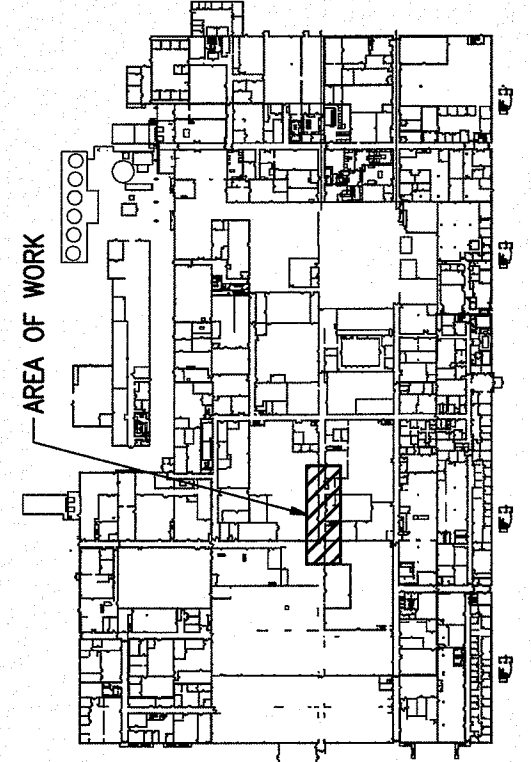


- DEMOLITION NOTES:**
- 1 DETACH SUPPLY AIR DUCTWORK FROM EXISTING AIR HANDLING UNIT INLET FROM AREA BELOW.
  - 2 REMOVE EXISTING ROOF MOUNTED AIR HANDLING UNIT FROM EXISTING CURB AND DISPOSE OFF SITE.
  - 3 DETACH EXISTING RETURN AIR DUCTWORK FROM EXISTING AIR HANDLING UNIT DISCHARGE AND ABOVE THE ROOF DUCTS TO THE EXISTING CURB TO REMAIN. PREPARE CURB FOR NEW DUCTWORK.
  - 4 DETACH HWS, HWR, CHWS & CHWR PIPING FROM EXISTING AHU COILS AND REMOVE CONTROL VALVES, PIPING AND ACCESSORIES ENTIRELY FROM PIPE RACKS ABOVE THE ROOF BACK TO THE EXISTING ISOLATION VALVES.
  - 5 EXISTING ISOLATION VALVES TO REMAIN.
  - 6 DETACH CONDENSATE PIPING FROM EXISTING AHU DRAIN CONNECTION. REMOVE DRAIN LINE UP TO VERTICAL DOWN THROUGH ROOF. PREPARE CONDENSATE PIPE THROUGH ROOF FOR CONNECTION TO NEW AIR HANDLING UNIT.



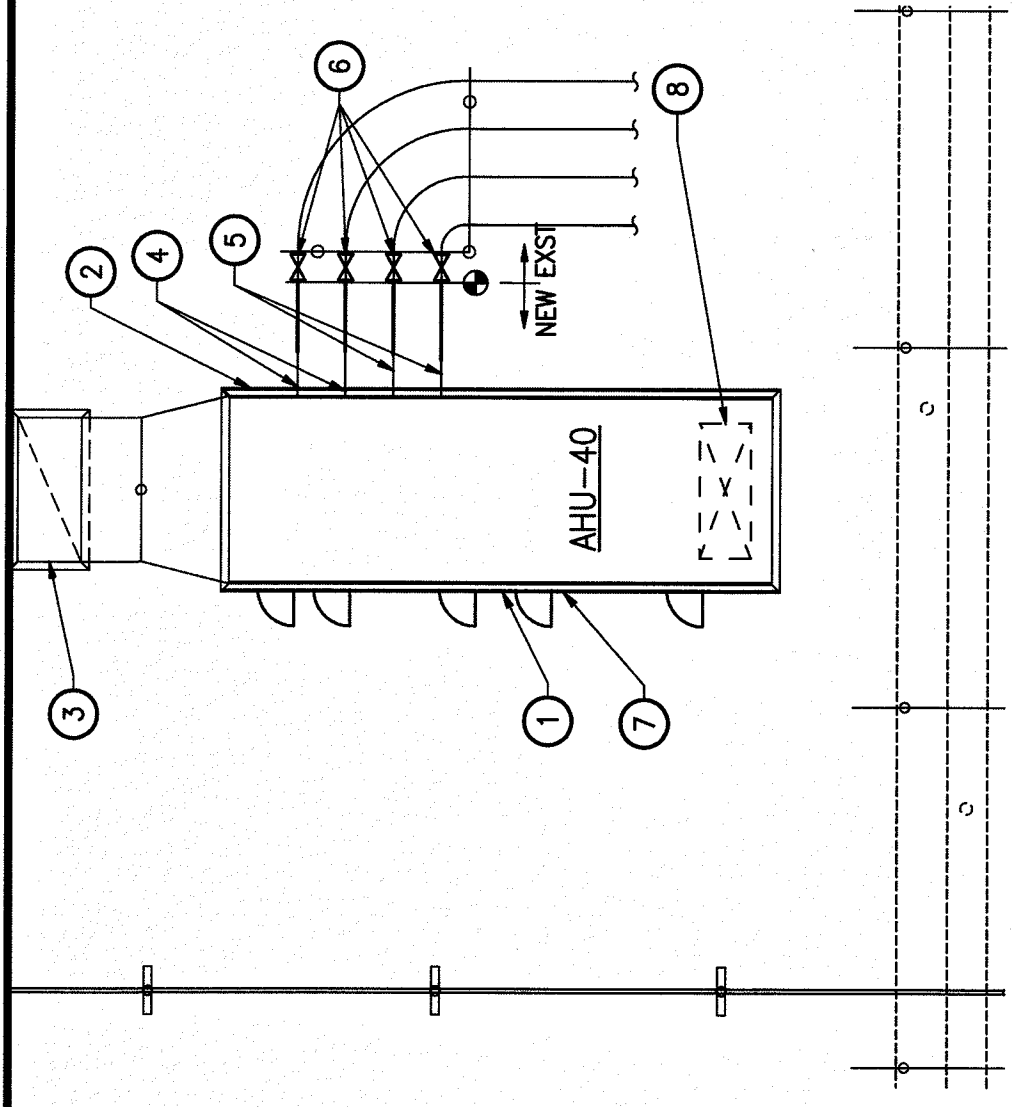
**MECHANICAL GENERAL NOTES:**

- ALL HVAC WORK SHALL BE IN ACCORDANCE WITH ALL APPLICABLE CODES AND NFPA REGULATIONS.
- DUCTWORK WHERE REQUIRED SHALL BE GALVANIZED STEEL. CONSTRUCT AND INSTALL PER AHJ AND SMACNA STANDARDS AND RECOMMENDATIONS.
- CONSTRUCT ALL SUPPLY DUCTWORK FROM AHU OUTLET TO 2" W.G. PRESSURE CLASS; SEAL CLASS C, LEAK CLASS 18.
- CONSTRUCT ALL RETURN DUCTWORK TO AHU FAN INLET TO 1" W.G. PRESSURE CLASS A, LEAK CLASS 12.
- SEE THE LATEST SMACNA STANDARDS FOR WEIGHT, REINFORCEMENTS, AND BRACING REQUIREMENTS FOR DUCTWORK.
- PREPARE COMPLETE SHOP DRAWINGS FOR COORDINATION AS SPECIFIED. VERIFY AND COORDINATE ALL DIMENSIONS IN THE FIELD. MAKE MINOR ADJUSTMENTS IN LOCATION AS REQUIRED.
- REFER TO MANUFACTURER'S RECOMMENDATIONS REGARDING INSTALLATION OF EQUIPMENT.
- COORDINATE CUTTING AND PATCHING OF WALL AND ROOFS WITH ARCHITECTURAL DRAWINGS AND GENERAL CONTRACTOR.



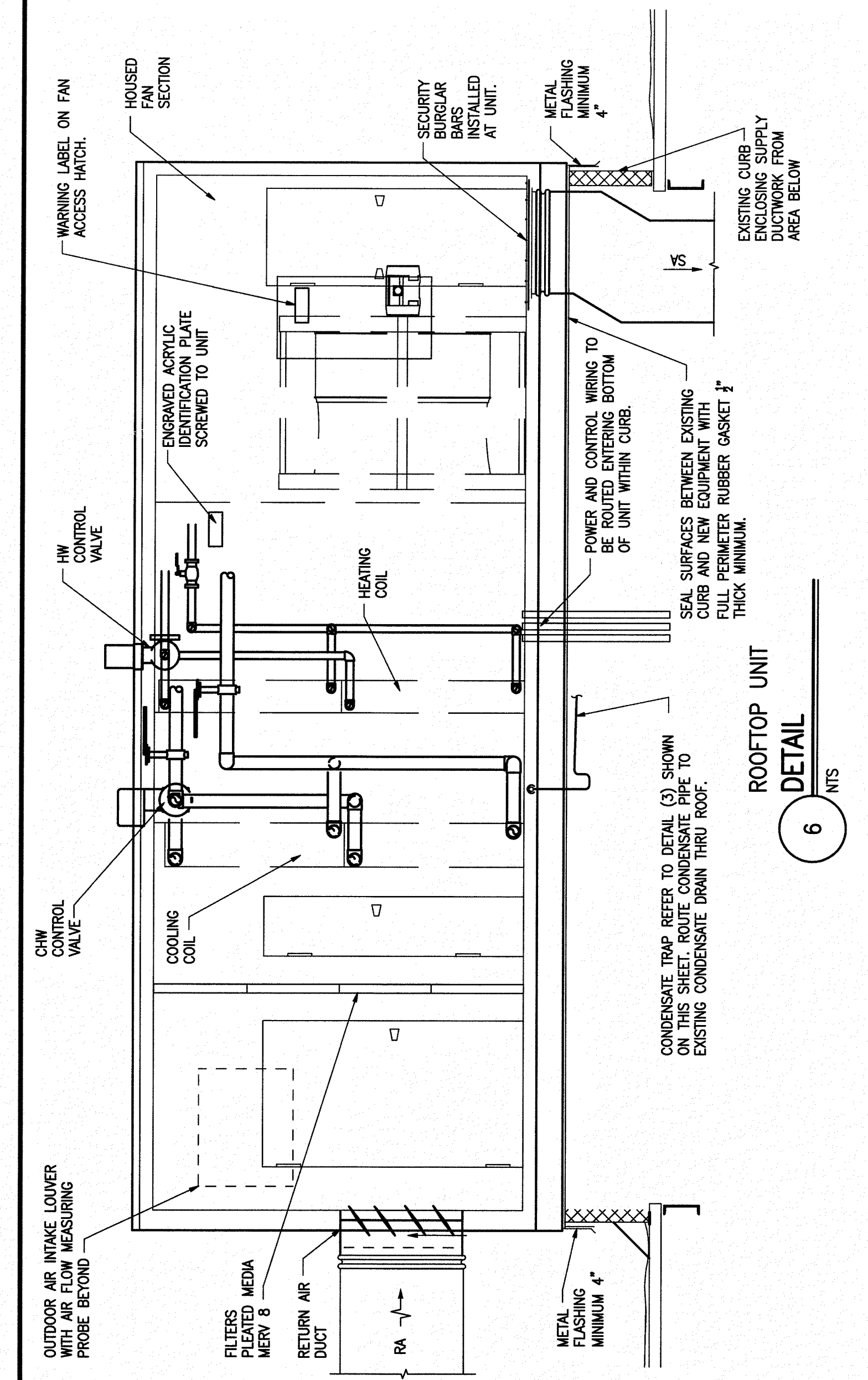
**BUILDING DESIGN DATA**

TEMPERATURES	SUMMER - OUTDOORS: 81°FDB / 80°FWB SUMMER - INDOORS: 76°F (50% RH) WINTER - OUTDOORS: 37°FDB WINTER - INDOORS: 70°FDB
FRESH AIR	20 CFM/PERSON OUTSIDE AIR (OFFICES) 15 CFM/PERSON OUTSIDE AIR (COMMON SPACES)

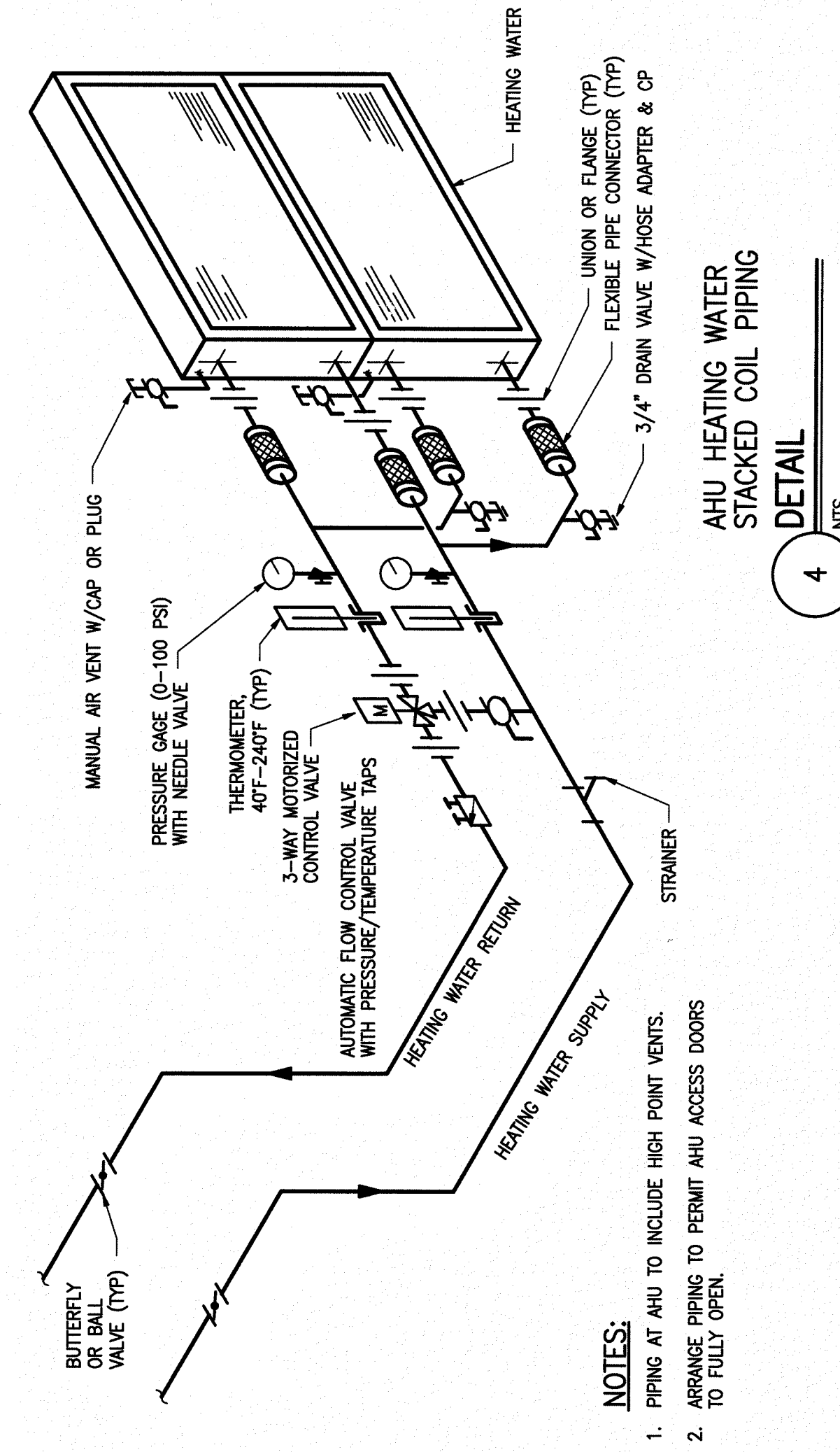


**AHU-40 ROOF PLAN**  
SCALE: 1/8" = 1'-0"  
0 4' 8' 16'

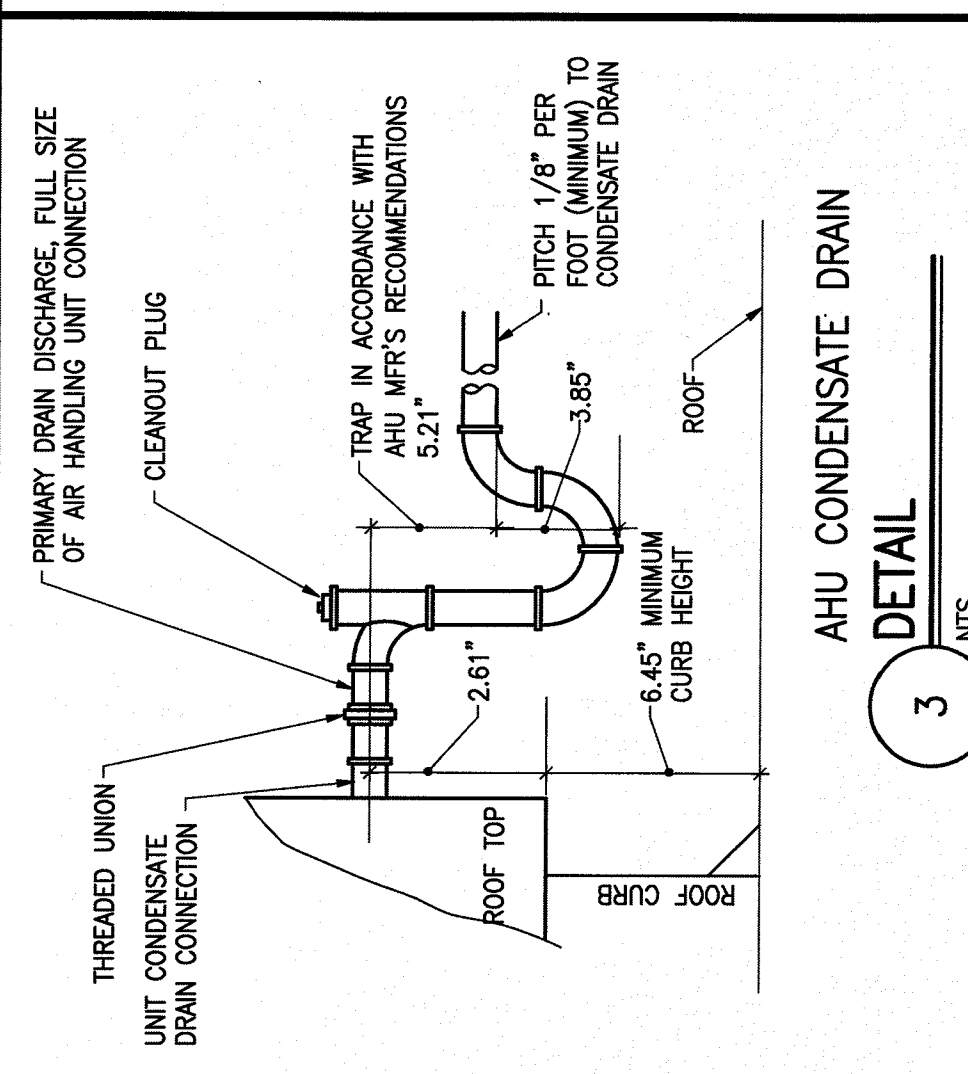
- CONSTRUCTION NOTES:**
- INSTALL NEW AIR HANDLING UNIT ON EXISTING CURB. CONTRACTOR TO FIELD VERIFY EXISTING CURB DIMENSIONS, AND SUPPLY DUCT CONNECTION LOCATION WITH PIPING AND ACCESS DOORS.
  - FRESH AIR INTAKE LOUVER AND AIR FLOW MONITOR.
  - CONNECT NEW DUCTWORK FROM THE NEW AHU TO THE EXISTING CURB. PROVIDE PROTECTIVE WEATHER PROOF JACKETING. ATTACH NEW DUCT CURB WITH STAINLESS STEEL TECH SCREWS PLACED 6" O.C. AND WITHIN 3" OF CORNER.
  - 2 1/2" HWS & HWR CONNECT PIPING TO NEW AHU COIL FROM PIPING LOCATED ON PIPE RACKS. SEE COIL CONNECTION DETAILS.
  - 4" CHWS & CHWR CONNECT PIPING TO NEW AHU COIL FROM PIPING LOCATED ON PIPE RACKS. SEE COIL CONNECTION DETAILS.
  - EXISTING ISOLATION VALVES.
  - FULL SIZE CONDENSATE DRAIN PIPING. ROUTE TO ROOF DRAIN.
  - CONNECT NEW SUPPLY AIR DUCTWORK TO NEW AIR HANDLER DISCHARGE. OFFSET AS REQUIRED.



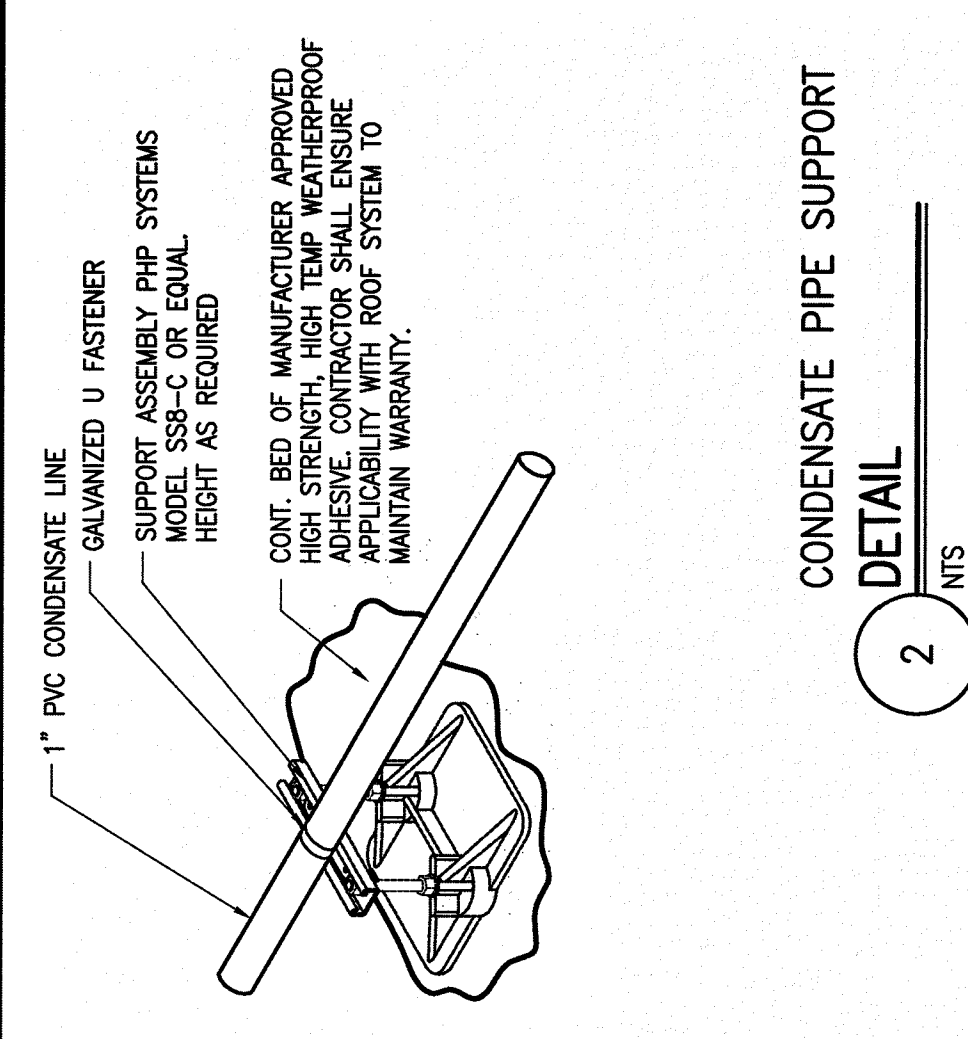
**ROOFTOP UNIT DETAIL**  
6 NTS



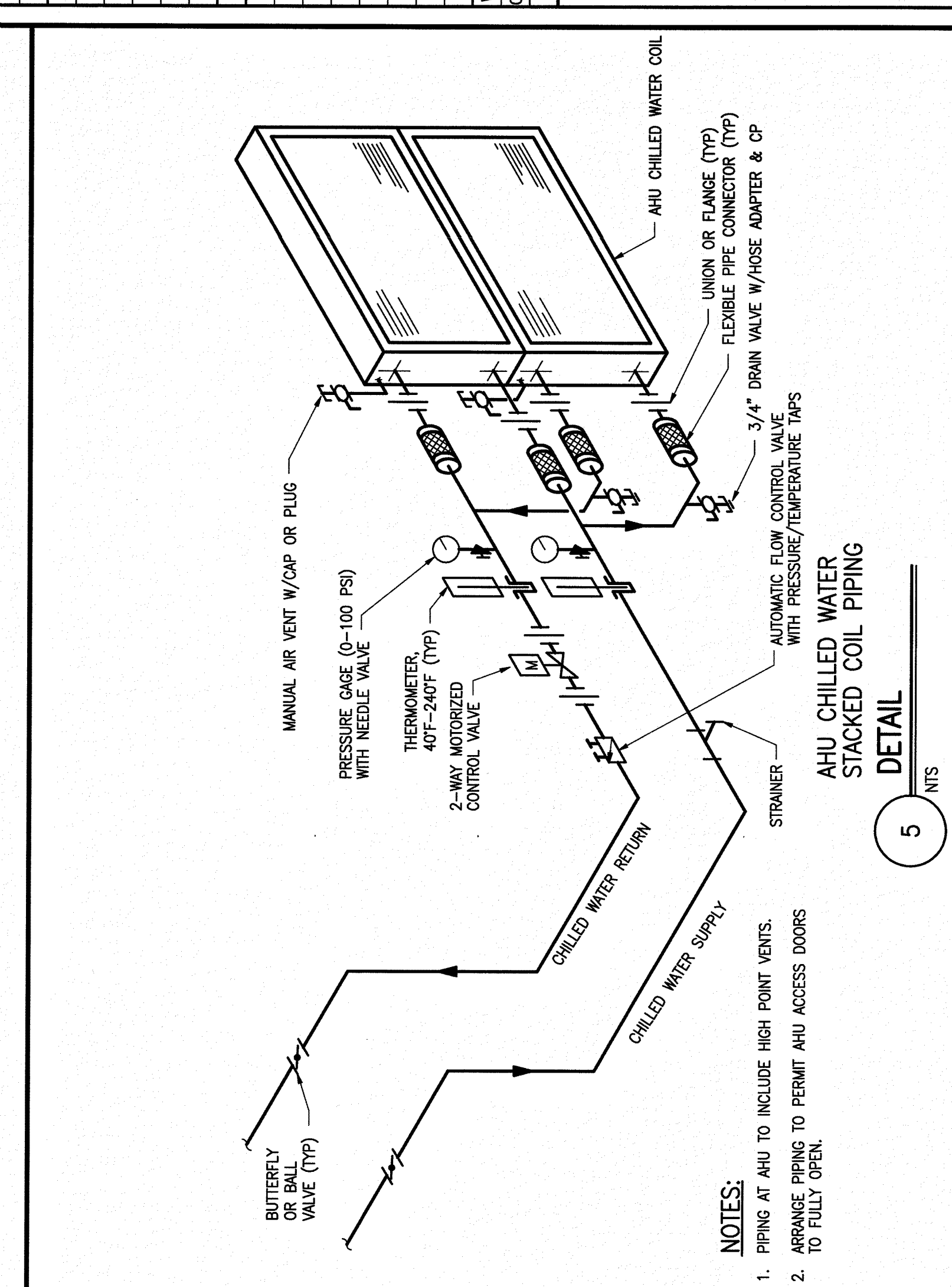
**AHU HEATING WATER STACKED COIL PIPING DETAIL**  
4 NTS



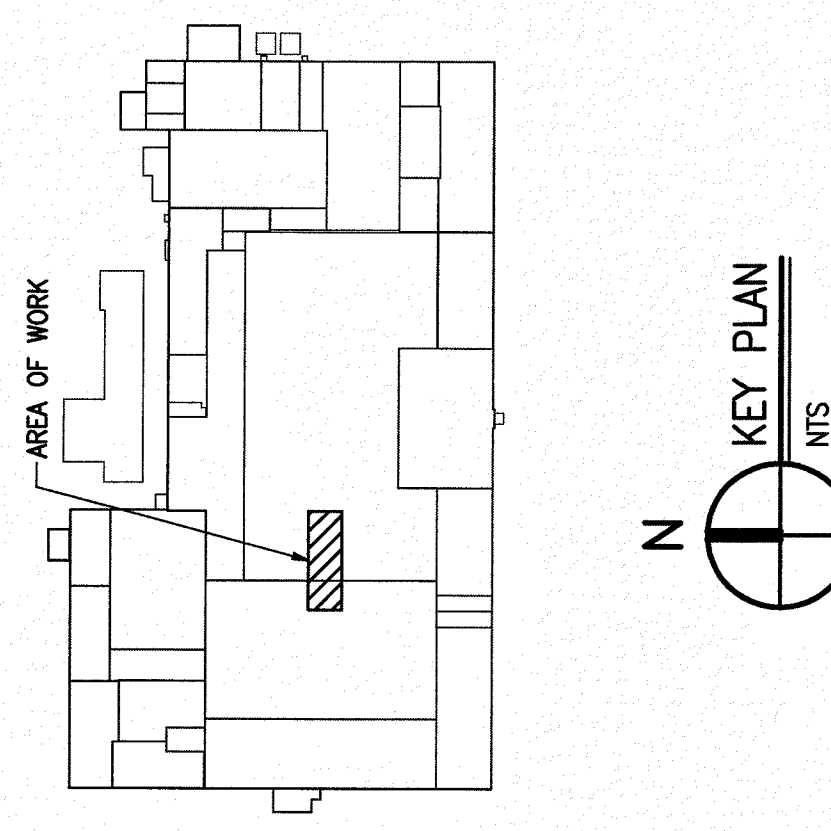
**AHU CONDENSATE DRAIN DETAIL**  
3 NTS



**CONDENSATE PIPE SUPPORT DETAIL**  
2 NTS



**AHU CHILLED WATER STACKED COIL PIPING DETAIL**  
5 NTS



**KEY PLAN**  
NTS

UNIT NUMBER	AHU-40
AHU DATA	CLIMATE CRAFT
MANUFACTURER	CUSTOM
MODEL NO	ALUMINUM CABINET
FAN SIZE/TYPE	IN/-
FAN SPEED	RPM
TOTAL AIR	CFM
MOTOR SIZE	BHP/HP
EXTERNAL STATIC PRESSURE	IN WG
TOTAL STATIC PRESSURE	IN WG
VOLTS/PHASE/HERTZ	460/3/60
AIR QUANTITIES	
FRESH AIR	CFM
DESIGN CONDITIONS	
OUTSIDE WINTER	F db
OUTSIDE WINTER	F db
OUTSIDE SUMMER	F db / F db
INSIDE SUMMER	F / % RH
COOLING COIL	
TOTAL HEAT	MBTUH
SENSIBLE HEAT	MBTUH
ENTERING AIR	F db / F db
LEAVING AIR	F db / F db
COIL FACE VELOCITY	FFM
ROWS	ROWS / (FMS/IN)
CHILLED WATER	
ENTERING/LEAVING TEMP	F
WATER FLOW	GPM
WATER PRESSURE DROP	FT
AIR FRICTION DROP	IN-H2O
HEATING COIL	
AIR FLOW	CFM
HEAT LOAD	MBTUH
HOT WATER (ENT./AVG.)	F
ROWS	ROWS / (FMS/FT)
AIR FRICTION DROP	IN-H2O
WATER FLOW	GPM
WATER PRESSURE DROP	FT
WEIGHT - OVERALL	LEBS
OVERALL DIMENSIONS - L/W/H	INCHES

- NOTES:**
- FILTER SECTION TO HAVE 2" PLEATED FILTERS.
  - ACCESS DOORS TO BE AS SHOWN ON PLANS.
  - PROVIDE FACTORY INSTALLED VARIABLE FREQUENCY DRIVE (VFD) WITHIN THE AIR HANDLING UNIT, WITH INTEGRAL DISCONNECT & BYPASS.
  - TEST AND BALANCE UNIT TO 22,000 CFM. ADDITIONAL CFM IS FOR FUTURE EXPANDED LOADS.
  - CONTRACTOR TO FIELD VERIFY EXISTING CURB SIZE AND OPENING LOCATIONS.
  - PROVIDE GREASE EXTENSIONS TO GREASE THE BEARINGS FROM THE SERVICE DOOR.
  - CENTER RETURN AIR OPENING LEFT TO RIGHT TO ALIGN WITH EXISTING DUCTWORK.
  - PROVIDE WITH 120V SERVICE OUTLET.
  - PROVIDE WITH INTERIOR CABINET LIGHTS.

**LONG & ASSOCIATES ARCHITECTS / ENGINEERS, INC.**  
4525 S. Monaghan Ave., Tampa, FL 33611-2305  
T: (813) 839-0506 F: (813) 839-4616  
www.longandassociates.com

TO THE BEST OF THE ARCHITECT'S KNOWLEDGE, ENGINEER'S KNOWLEDGE, AND THE APPLICABLE SPECIFICATIONS COMPLY WITH THE BUILDING CODES AND THE APPLICABLE FIRE-SAFETY STANDARDS.

**YOUNG - RAINY STAR CENTER**  
**REPLACE AHU-40**  
FLORIDA

**WILLIAM E. BROWN, P.E.**  
PE 57975  
PROFESSIONAL ENGINEER  
FLORIDA

Phase: 100% CONSTRUCTION DOCUMENTS  
Drawn By: BB  
Checked By: BB  
Job No.: 2015SS  
Date: 02-19-2016  
Feb 19, 2016 - 11:40am

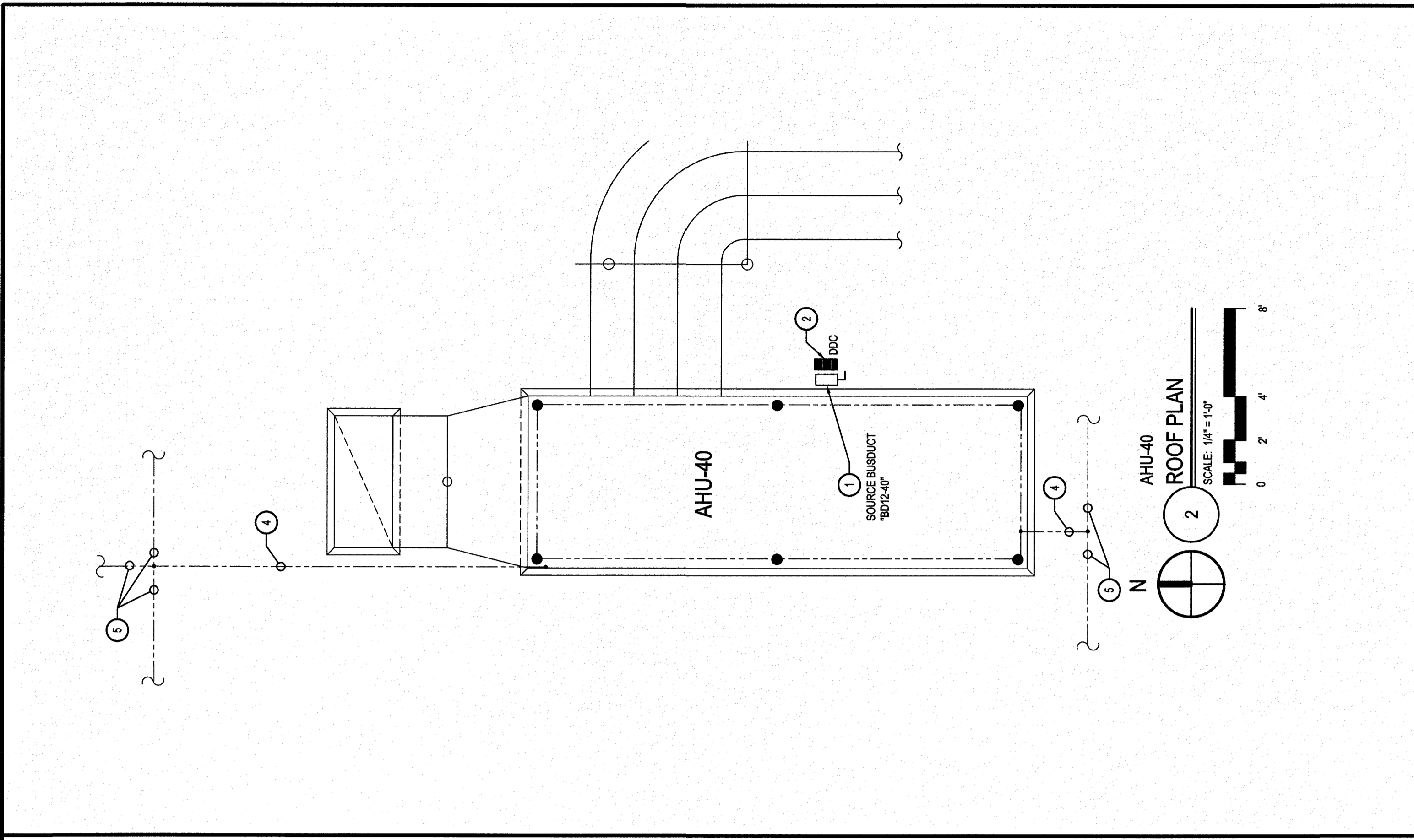
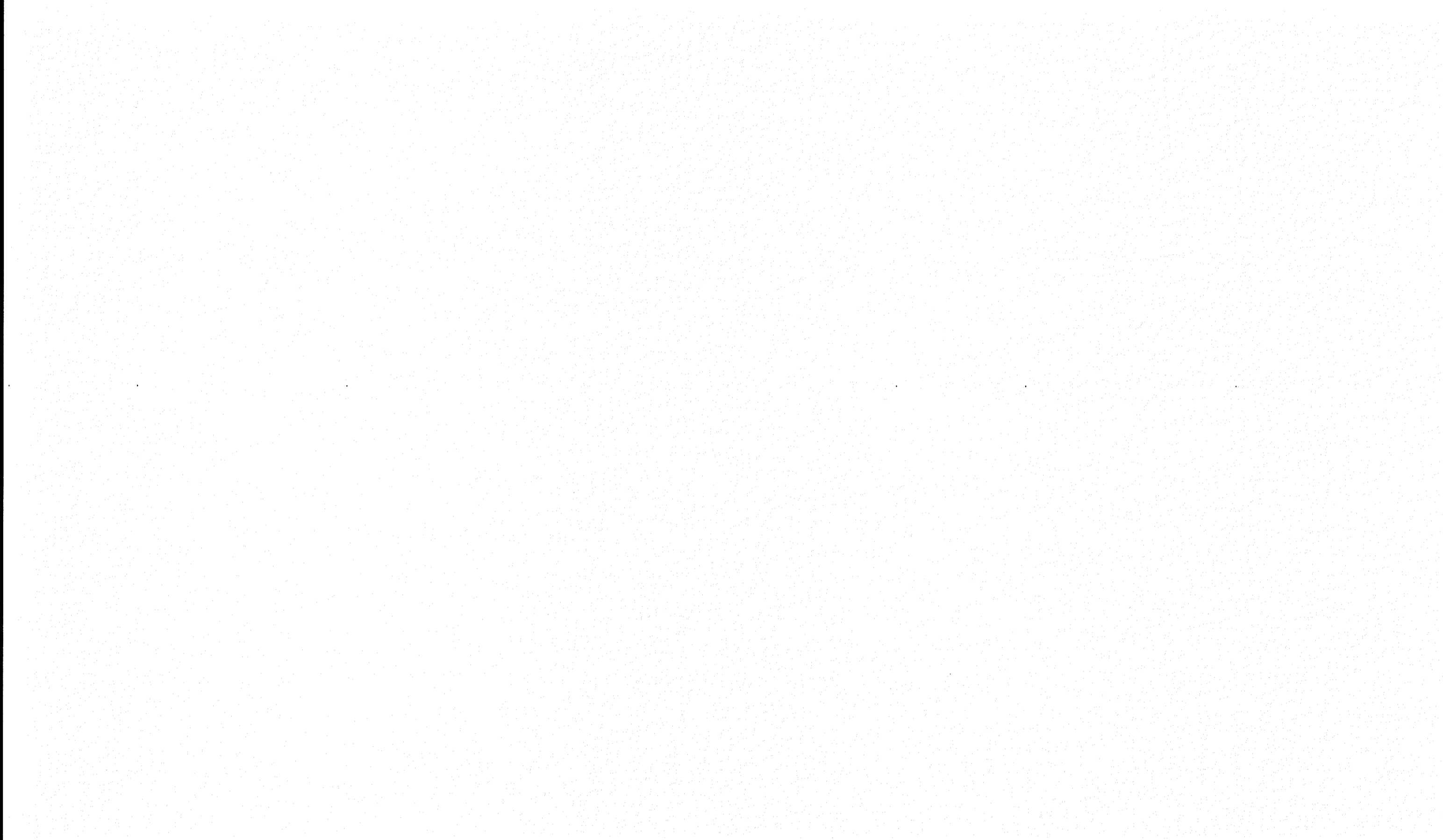
**ROOF PLAN**  
**M 1.1**



SYMBOL	DESCRIPTION
	JUNCTION BOX
	208V/20V PANELBOARD
	CONTROL PANEL AS NOTED
	480V/27V PANELBOARD
	DUPLEX RECEPTACLE, NEMA TYPE 5-20R, CENTERLINE MOUNTED 18" AFF IN FINISHED AREAS AND 42" AFF IN UNFINISHED AREAS
	CONDUIT CONCEALED IN FINISHED AREAS OR EXPOSED IN UNFINISHED AREAS, SHORT SLASH LINES INDICATE UNGROUNDING CONDUCTORS, LONG SLASH LINE INDICATES NEUTRAL CONDUCTOR, 'X' MARK INDICATES GROUNDING CONDUCTOR, NO SLASH LINES OR MARKS INDICATES A MINIMUM OF THREE (3) CONDUCTORS IN A RACEWAY, CONDUCTOR SIZE INDICATED IF OTHER THAN #12 AWG, 'HR' INDICATES HOMERUN.
	HOMERUN TO PANELBOARD (i.e. PANELBOARD LHM, CIRCUITS 1 AND 3 OR POLE SPACES 1 AND 3).
	MOTOR OUTLET-NUMERICAL INDICATES HORSEPOWER RATING
	NON-FUSED, HEAVY-DUTY DISCONNECT SWITCH-NUMERICAL INDICATES AMPERE RATING
	FUSED, HEAVY-DUTY SWITCH, NUMERALS INDICATE AMPERE RATING OF SWITCH AND FUSE SIZE, RESPECTIVELY
	CIRCUIT BREAKER STARTER-FUSED DISCONNECT SWITCH, NUMERALS INDICATE NEMA STARTER SIZE AND SWITCH RISE SIZE RESPECTIVELY, NUMERICAL INDICATES NEMA STARTER SIZE
	DIRECT DIGITAL CONTROLLER
	LIGHTNING PROTECTION BONDING CABLE AND CONNECTION
	LIGHTNING PROTECTION SYSTEM AIR TERMINAL
	DUCT DETECTOR REMOTE INDICATOR STATION
	FIRE ALARM RELAY
	DUCT MOUNTED SMOKE DETECTOR
	THERMOSTAT
	HUMIDISTAT
	ABOVE FINISHED FLOOR
	ABOVE FINISHED GRADE
	CENTERLINE
	CEILING, MOUNTED FLUSH
	CONDUIT
	DIRECT DIGITAL CONTROLLER
	EQUIPMENT GROUNDING CONDUCTOR
	ENERGY MANAGEMENT CONTROL SYSTEM
	EXISTING
	GROUND FAULT CIRCUIT INTERRUPTER
	MOUNTED
	PITCH POCKET
	ROOF DRAIN
	UNLESS OTHERWISE NOTED
	VARIABLE FREQUENCY DRIVE
	WEATHERPROOF, OUTDOOR

- GENERAL NOTES:**
- METHODS, MATERIALS, AND PROVISIONS OF DIVISION 16 SPECIFICATIONS, GENERAL CONDITIONS AND DIVISION 1 SPECIFICATION SECTIONS ARE AN INTEGRAL PART OF THE BID AND CONSTRUCTION DOCUMENTS AND MUST BE RIGIDLY ADHERED TO.
  - ALL WORK SHALL BE PERFORMED IN ACCORDANCE WITH THE NATIONAL ELECTRICAL CODE 2011 AND FLORIDA BUILDING CODE 2010, IN SOME CASES, PROJECT DRAWINGS AND SPECIFICATIONS EXCEED MINIMUM CODE REQUIREMENTS. SEE COMPLETE SPECIFICATION 16020.
  - REVIEW CONTROL SCHEMATICS AND DIAGRAMS ON MECHANICAL DRAWINGS (DIVISION 15) IN ORDER TO INCLUDE ACCESSORIES REQUIRED WITH MOTOR CONTROLLER DEVICES PROVIDED UNDER DIVISION 16.
  - ALL WIRE AND CABLE SHALL BE COPPER WITH THINWALL 900 VOLTS INSULATION. MINIMUM CONDUCTOR SIZE SHALL BE #12 AWG FOR POWER AND LIGHTING CIRCUITS, AND MINIMUM #14 FOR SIGNAL CIRCUITS. SEE COMPLETE SPECIFICATION SECTION 16120. BRANCH & FEEDER ABOVE GROUND - THIN (90 DEGREES C) BRANCH & FEEDER BELOW GROUND - THIN (75 DEGREES C)
  - #10 AWG AND SMALLER WIRE CONNECTORS SHALL BE 600 VOLTS ELECTRICAL SPRING CONNECTORS (TYPE 1) OR #12 AWG AND SMALLER WIRE CONNECTORS SHALL BE THE SIZE FOR THE WIRE. USE ONLY THE LISTED WIRE AND WIRE CONNECTORS PLASTIC TAPE (BM 22002210 AND SUPER 339). SEE COMPLETE SPECIFICATION SECTION 16121.
  - ALL WIRE AND CABLE SHALL BE INSTALLED IN CONDUIT. MINIMUM CONDUIT SIZE SHALL BE 1/2" AND CONDUIT SHALL BE CONCEALED IN FINISHED AREAS AND PROTECTED IN UNFINISHED AREAS. SEE COMPLETE SPECIFICATION SECTION 16111.
  - ELECTRICAL METALLIC TUBING MAY BE USED IN FINISHED AREAS WITH STEEL COMPRESSION COUPLINGS AND FITTINGS. E.M.T. MAY ALSO BE USED IN UNFINISHED AREAS WHERE PROTECTED IN COLUMN WEBS OR UP IN LOFT SPACE.
  - RIGID GALVANIZED STEEL CONDUIT SHALL BE INSTALLED WHERE CONDUITS ARE SUSCEPTIBLE TO PHYSICAL DAMAGE AND IN ALL EXTERIOR LOCATIONS ABOVE GROUND.
  - STEEL BONDING TYPE LOCKWITS SHALL BE INSTALLED WHERE CONDUITS ENTER ROOFS, STARTERS, SWITCH ENCLOSURES, JUNCTION BOXES AND METALLIC ENCLOSURES. ALL METALLIC ENCLOSURE BOXES ALL E.M.T. FITTINGS SHALL BE COMPRESSION TYPE.
  - FINAL CONNECTIONS TO MOTORS, VIBRATING EQUIPMENT AND WATER HEATERS SHALL BE MADE WITH LIQUID-TIGHT FLEXIBLE METAL CONDUIT AND CONNECTORS. FINAL CONNECTIONS TO LIGHT FIXTURES SHALL BE MADE WITH FLEXIBLE METAL CONDUIT AND CONNECTORS.
  - INSTALL INTUMESCENT FIRE SEAL AT ALL SLEED/CONDUIT PENETRATIONS THROUGH FIRE RATED WALLS TO MAINTAIN RATING OF WALLS.
  - GREEN COLORED INSULATED GROUNDING CONDUCTORS(S) SHALL BE INCLUDED IN ALL RACEWAY AND RACEWAY SYSTEMS. SIZES UP THROUGH #6 SHALL BE SOLID COLOR. RACES SHALL BE DUAL ELEMENT, NEMA CLASS RKT OR RKS. SEE COMPLETE SPECIFICATION SECTION 16161.
  - THE COVER OF ALL DISCONNECTS SHALL BE LABELED WITH THE SOURCE IDENTIFICATION USING 1/2" HIGH BRADY ADHESIVE LABELS. BLACK ON YELLOW. ALL RECEPTACLES, SWITCHES AND OTHER OUTLETS SHALL BE LABELED WITH THE SOURCE AND BRANCH CIRCUIT BREAKER IDENTIFICATION USING 1/4" HIGH BRADY ADHESIVE LABELS. BLACK ON YELLOW. ROOF TOP EXTERIOR EQUIPMENT SHALL HAVE ENGRAVED METAL LABELS THAT ARE SCREW FASTENED.
  - OUTLETS WHICH ARE NOTED FOR A PARTICULAR PIECE OF EQUIPMENT ARE SO NOTED IN THESE DRAWINGS. THE CONTRACTOR CAN CORROBORATE THE LOCATION OF THE OUTLET WITH THE LOCATION OF THE EQUIPMENT. THIS COORDINATION SHALL BE THE RESPONSIBILITY OF THE CONTRACTOR.
  - CIRCUIT DIRECTORIES FOR PANELBOARD SHALL BE TYPE WRITTEN, HAND WRITTEN SHALL BE UNACCEPTABLE.
  - FURNISH OWNER WITH MINIMUM THREE (3) SPARE FUSES OF EACH SIZE AND CLASS PROVIDED UNDER CONTRACT.
  - ALL L-BOX COVERS SHALL BE MARKED WITH BRANCH CIRCUIT NUMBERS CONTAINED THEREIN.
  - UL LISTED ASSEMBLIES SHALL BE INSTALLED AT ALL PENETRATIONS OF RATED WALLS. JUNCTION BOXES AND OUTLET BOXES LOCATED WITHIN RATED WALLS SHALL BE WRAPPED WITH FIRE STOP PUTTY PADS. INCLUDE PUTTY PADS IN SHOP DRAWINGS SUBMITTALS.

- DEMOLITION NOTES:**
- DISCONNECT AND REMOVE WIRE BACK TO SOURCE BUSDUCT IN MANUFACTURING SPACE BELOW. FIELD VERIFY SOURCE. SEE DRAWING E1.1. RE-USE CONDUIT WHERE POSSIBLE.
  - DISCONNECT DDC/EMS PANEL AND REMOVE. MAINTAIN 120V CIRCUIT FOR NEW CONTROLLER. VERIFY SOURCE.
  - NOT USED.
  - DISCONNECT LIGHTNING PROTECTION SYSTEM. PROTECT AND MAINTAIN FOR RE-CONNECTION BY OWNER.
  - PROTECT AND MAINTAIN LIGHTNING PROTECTION SYSTEM.



TO THE BEST OF THE ARCHITECT'S KNOWLEDGE, SPECIFICATIONS COMPLY WITH THE APPLICABLE MINIMUM BUILDING CODES AND THE APPLICABLE FIRE-SAFETY STANDARDS.

**LONG & ASSOCIATES ARCHITECTS / ENGINEERS, INC.**  
 4525 S. Monaghan Ave., Tampa, FL 33611-2305  
 T: (813) 839-0506 F: (813) 839-4616  
 www.longandassociates.com

FLORIDA

**YOUNG - RAINY STAR CENTER - REPLACE AHU-40**

LARGO

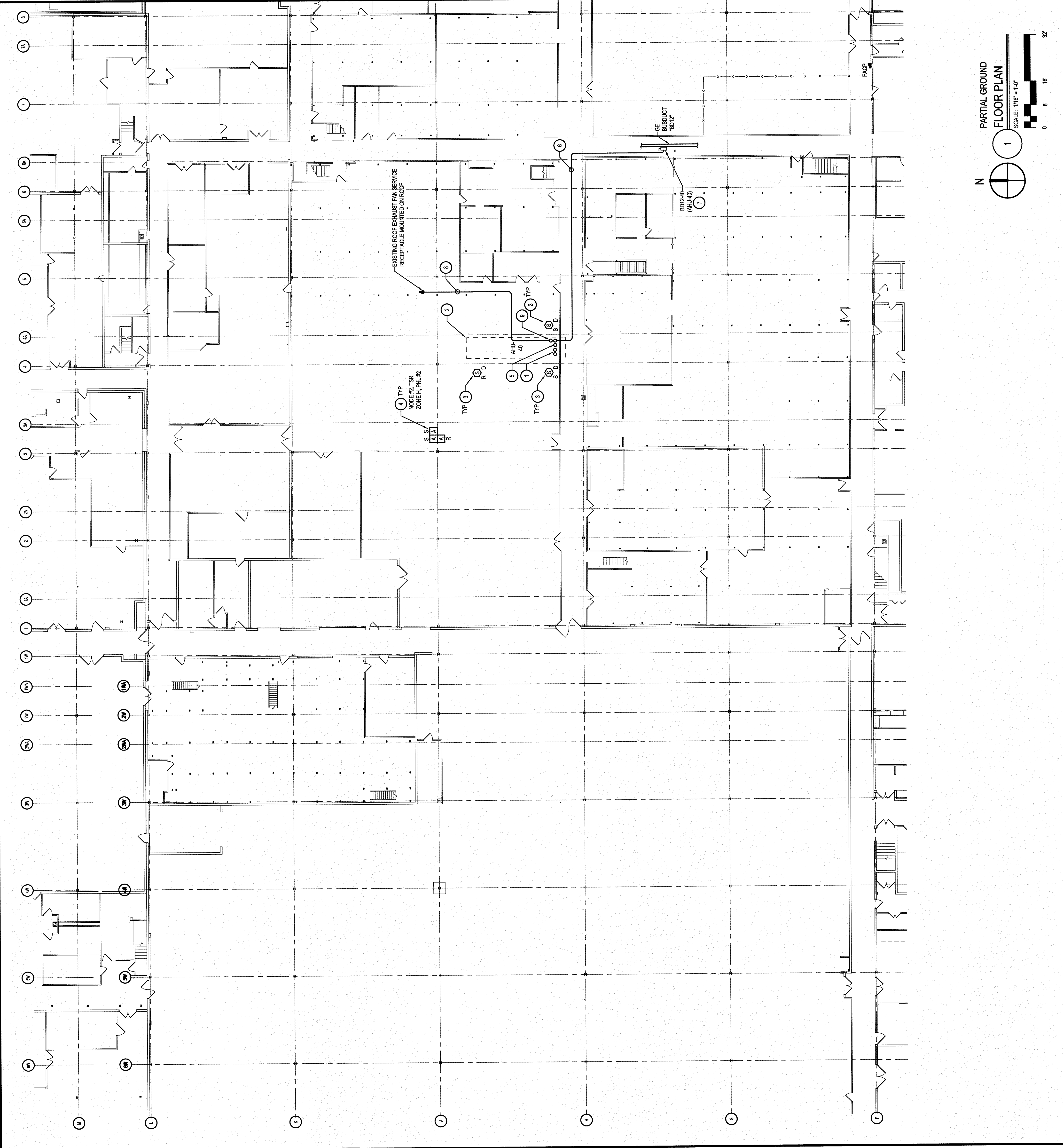
ROBERT A. RACE II, P.E.  
 PE 51463

PROFESSIONAL ENGINEER  
 STATE OF FLORIDA  
 EXPIRES 12/31/2016

Phase: 100% CONSTRUCTION DOCUMENTS  
 Drawn By: AJ  
 Checked By: RAR  
 Job No: 201555  
 Date: 02-17-2016  
 Feb. 16, 2016 - 11:46am

**DEMOLITION ROOF PLAN**

**ED 1.1**



- GENERAL NOTES:**
- A. REFER TO LEGEND, SPECIFICATIONS AND GENERAL NOTES ON DRAWING ED1.1.
  - B. COORDINATE ALL WORK WITH THE OWNER AND OTHER TRADES.
  - C. FIELD VERIFY EXISTING DEVICES THAT SHOWN FOR REFERENCE. NOT ALL MAY BE SHOWN. VERIFY SOURCE OF POWER AND SIGNAL SYSTEMS.
  - D. TAG OUT AND LOCK OUT ALL CIRCUITS DURING WORK. WORK ON LIVE PANELBOARDS IS NOT AUTHORIZED. COORDINATE ALL POWER OUTAGES WITH THE OWNER WHILE CONTINUING OPERATIONS IN THE BUILDING.
  - E. OWNER CERTIFIES THAT ALL POWER AND LOW VOLTAGE OUTLETS AND DEVICES ARE WORKING PROPERLY PRIOR TO THE START OF CONSTRUCTION. AT HIS OPTION, CONTRACTOR MAY TEST ALL AND REPORT RESULTS TO ENGINEER PRIOR TO ANY PROJECT WORK.
  - F. COORDINATE WITH OWNER AND TENANT FOR ACCESS HOURS AND SECURITY REQUIREMENTS.
  - G. COORDINATE WITH OWNERS FIRE ALARM CONTRACTOR FOR ALL FIRE ALARM DEVICES. COORDINATE WITH OWNER AND THEIR FIRE ALARM CONTRACTOR FOR ALL DISCONNECT AND RECONNECT OF FIRE ALARM DEVICES TO AHU.
  - H. ALL POWER COMMUNICATION FIRE ALARM CONDUITS SHALL BE THRUINSIDE EXISTING CURB TO NEW LOCATION IN NEW UNIT CABINETS.

**CONSTRUCTION NOTES:**

1. COORDINATE STUB-UP FOR POWER AND CONTROL FOR DDC PANEL. SEAL ALL CONDUITS PENETRATING ROOF.
2. APPROXIMATE LOCATION OF ROOF-TOP UNITS. ALL CONDUITS SHALL STUB-UP WITHIN THE ROOF CURB.
3. TYPICAL PROTECT AND MAINTAIN EXISTING DUCT MOUNTED SMOKE DETECTORS INSTALLED IN MANUFACTURING SPACE.
4. TYPICAL PROTECT AND MAINTAIN REMOTE DUCT MOUNTED SMOKE DETECTOR INDICATORS. FIELD VERIFY EXACT LOCATION OF DEVICES AND SHOW LOCATION ON AS-BUILT DRAWINGS.
5. COORDINATE STUB-UP FOR FIRE ALARM SHUTDOWN RELAY. SEAL ALL CONDUITS PENETRATING ROOF.
6. PROVIDE 3-1/4" #8 EGC, 1" CND.
7. UPDATE GE FUSE DISCONNECT SWITCH WITH 100 AMP SWITCH AND 80 AMP FUSES TO SERVE NEW AHU.
8. INTERCEPT EXISTING RECEPTACLE BRANCH CIRCUIT BELOW ROOF AND EXTEND BRANCH CIRCUIT TO SERVE NEW AHU LIGHTS AND CONVENIENCE SERVICE RECEPTACLE FURNISHED WITH NEW AHU. COORDINATE INSTALLATION WITH AHU SHOP DRAWINGS.
9. COORDINATE CONDUIT STUB-UP FOR AHU RECEPTACLE LIGHTS 120V CIRCUIT.

TO THE BEST OF THE ARCHITECT'S AND/OR ENGINEER'S KNOWLEDGE THESE PLANS AND SPECIFICATIONS COMPLY WITH THE APPLICABLE MINIMUM BUILDING CODES AND THE APPLICABLE FIRE-SAFETY STANDARDS.

L O N G & A S S O C I A T E S ARCHITECTS / ENGINEERS, INC.

4525 S. Macdicken Ave., Tampa, FL 33611-2305  
 T: (813) 839-0506 F: (813) 839-4516 AAC00124 1828 CCCC111205  
 www.longandassociates.com

YOUNG - RAINY STAR CENTER  
 REPLACE AHU-40  
 FLORIDA

LARGO

ROBERT A. RACE II, P.E.  
 PE 51483  
 PROFESSIONAL ENGINEER  
 STATE OF FLORIDA  
 No. 51483

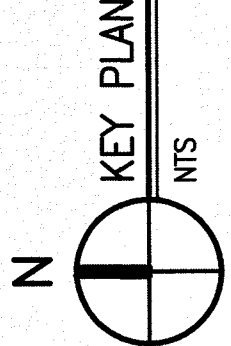
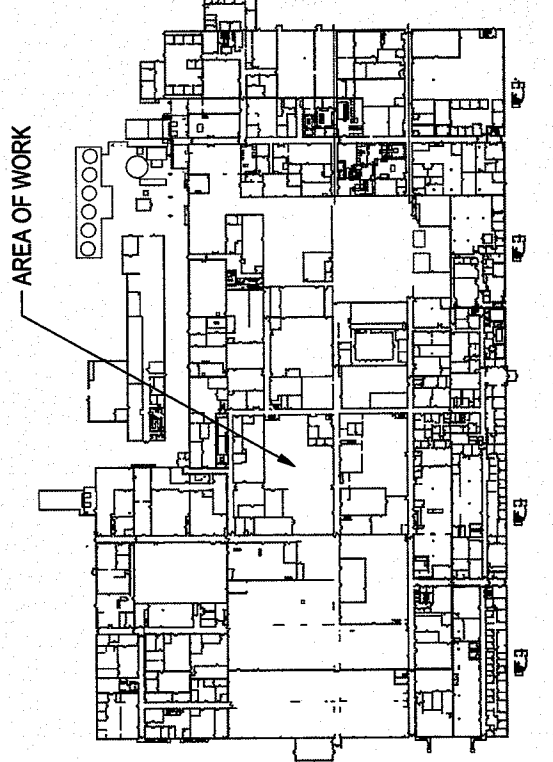
No.	Date	Issues & Revisions

PARTIAL GROUND FLOOR PLAN

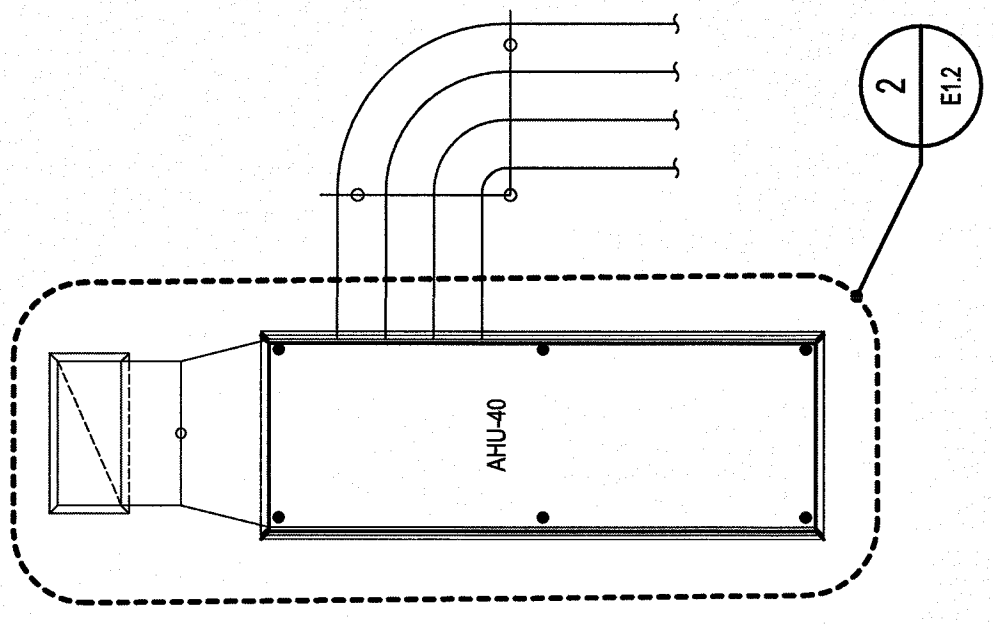
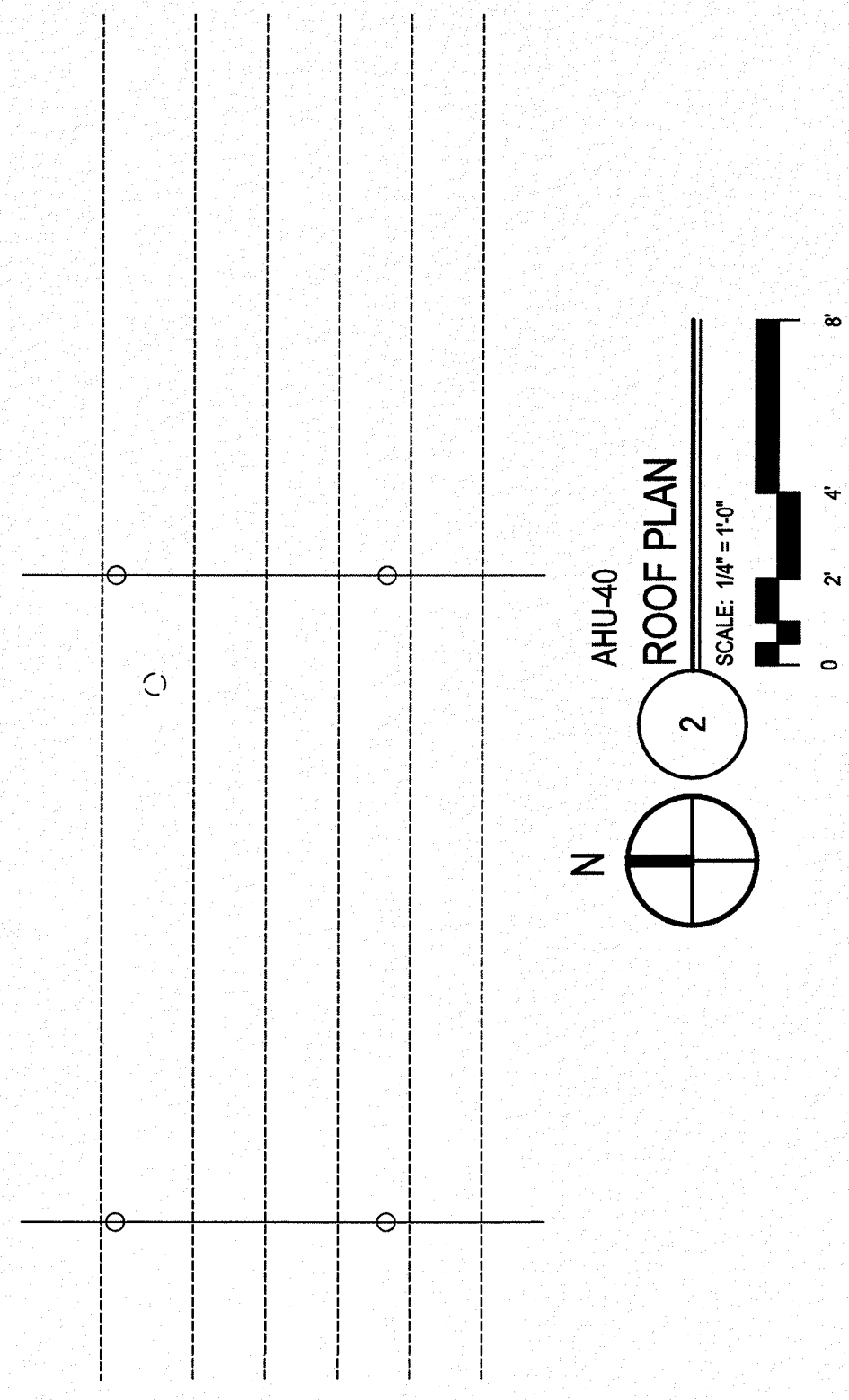
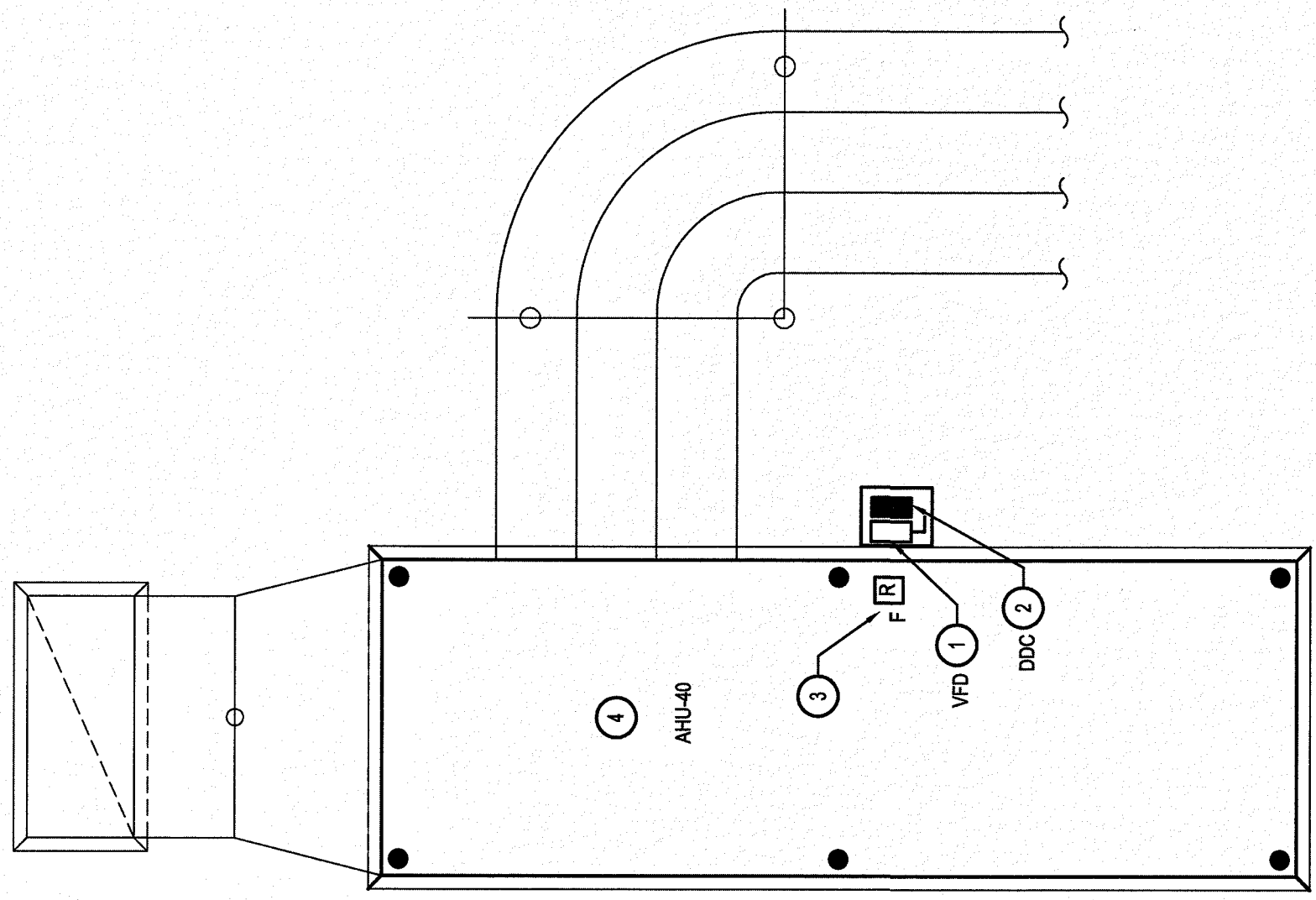
Phase: 100% CONSTRUCTION DOCUMENTS  
 Checked By: RAR  
 Job No.: 201555  
 Date: 02-19-2016  
 Feb 19, 2016 - 11:41am

E 1.1

PARTIAL GROUND FLOOR PLAN  
 SCALE: 1/16" = 1'-0"  
 0 8 16 32



No	Date	Issues & Revisions



**LOAD SUMMARY:**

THE POWER REQUIREMENTS FOR REPLACEMENT RUIS 40, 44 ARE EQUAL TO OR LESS THAN THE ORIGINAL HORSEPOWER OF THE UNITS BEING REPLACED. NO NET CHANGE TO POWER CONSUMPTION. THE EXISTING BUSDUCT AND FEEDER DISCONNECTS ARE ADEQUATE FOR THE NEW EQUIPMENT.

**GENERAL NOTES:**

- REFER TO LEGEND, SPECIFICATIONS AND GENERAL NOTES ON DRAWING ED1.1.
- COORDINATE ALL WORK WITH THE OWNER AND OTHER TRADES.
- FIELD VERIFY EXISTING DEVICES THAT SHOWN FOR REFERENCE. NOT ALL MAY BE SHOWN. VERIFY SOURCE OF POWER AND SIGNAL SYSTEMS.
- TAG OUT AND LOCK OUT ALL CIRCUITS DURING WORK. WORK ON LIVE PANELBOARDS IS NOT AUTHORIZED. COORDINATE ALL POWER OUTAGES WITH THE OWNER WHILE CONTINUING OPERATIONS IN THE BUILDING.
- OWNER CERTIFIES THAT ALL POWER AND LOW VOLTAGE OUTLETS AND DEVICES ARE WORKING PROPERLY. VERIFY ALL WORKING CONDITIONS BEFORE WORK BEGINS. CONTRACTOR MAY TEST ALL AND REPORT RESULTS TO ENGINEER PRIOR TO ANY PROJECT WORK.
- COORDINATE WITH OWNER AND TENANT FOR ACCESS HOURS AND SECURITY REQUIREMENTS.

**CONSTRUCTION NOTES:**

- VERIFY POWER STUB-UP LOCATION WITH EQUIPMENT SHOP DRAWINGS. ALL POWER AND SIGNAL CONDUITS SHALL STUB-UP INSIDE CURB. NO PITCH POCKETS OR OTHER ROOF PENETRATIONS PERMITTED. USE EXISTING PENETRATIONS ONLY. SEAL ROOF PENETRATIONS WEATHERTIGHT.
- VERIFY POWER STUB-UP LOCATION WITH EQUIPMENT SHOP DRAWINGS. RECONNECT 120V POWER CIRCUIT. SEE DRAWING E1.1 FOR CIRCUIT SOURCE.
- INSTALL FIRE ALARM SHUTDOWN RELAY INSIDE VED ENCLOSURE. INSTALL LABEL ON COVER AND ON OUTSIDE ACCESS PANEL OR AHU TO READ "FIRE ALARM SHUTDOWN RELAY INSIDE."
- LIGHTING PROTECTION SYSTEM TO BE RE-INSTALLED BY OWNER.