

AGREEMENT FOR "PIGGYBACK" PURCHASE

Contract Ref. #24-0226-PB Vehicle and Equipment Replacement

This Agreement ("Agreement") is entered into on the date last executed below ("Effective Date"), by and between Pinellas County, a subdivision of the State of Florida whose primary address is 315 Court Street, Clearwater, Florida 33756 ("County") and Sun State International LLC whose primary address is 6020 Adamo Drive, Tampa, FL 33619 ("Contractor") (jointly, the "Parties").

WHEREAS, the County is authorized to procure goods and services based on the contract terms and pricing received by other governmental competitive solicitation processes which are made available to local public procurement units; and

WHEREAS, following a competitive procurement process, Florida Sheriffs Association, entered into Agreement FSA23-VEH21.0 for Pursuit, Administrative and Other Vehicles, effective October 1, 2023 (the "Florida Sheriffs Association Agreement"); and

WHEREAS, the County has elected to utilize resulting contract terms and pricing of the cooperative procurement or solicitation as reflected in the Florida Sheriffs Association Agreement; and

WHEREAS, Contractor represents that it has the experience and expertise to provide the Goods and Services as set forth in this Agreement.

NOW THEREFORE, the Parties agree as follows:

- A. **Documents Comprising Agreement.** The Agreement consists of this document and the Florida Sheriffs Association Agreement. All terms and conditions of the Florida Sheriffs Association Agreement, including any amendments, are incorporated herein as if set forth in full, except as modified herein. If there is a conflict between this document and the Florida Sheriffs Association Agreement, this document will prevail.
- B. **Term.** This initial term of this Agreement is effective from the Effective Date through 9/30/2024. The parties may extend this agreement in conjunction with any extensions made to the cooperative procurement by a mutually agreed upon written amendment to this Agreement. If the parties desire to extend past the expiration date of the Sourcewell Agreement, the parties may do so by entering into a mutually agreed upon written amendment to this Agreement. The Agreement will not automatically renew.
- C. **Expenditures Cap.** County expenditures under the Agreement will not exceed \$1,464,579.60 for the Contract term without a written amendment.
- D. **Specifications/Price Schedule** – Attached as Exhibit A
- E. **Modifications to the Florida Sheriffs Association Agreement.**
 1. **The County as the Contracting Party.** All references within the Florida Sheriffs Association Agreement to the Florida Sheriffs Association will be interpreted as pertaining to the County. It is understood that wherever the words "FSA," or "FSA CPP," or other references to the Florida Sheriffs Association appear in the Florida Sheriffs Association Agreement, they shall be read as "Pinellas County." Any term in the Florida Sheriffs Association Agreement that is applicable in law or fact solely to the Florida Sheriffs Association that cannot be reasonably applied to the County is severed from the Agreement, with no effect on the remaining terms.

2. **Paragraph 1.04 (Jurisdiction)** is revised to state that this Agreement and any and all purchases made hereunder shall be governed by and construed in accordance with the laws of the State of Florida (without regard to principles of conflicts of laws). The Parties agree that all actions or proceedings arising in connection with this Agreement shall be tried and litigated exclusively in the state or federal (if permitted by law and a Party elects to file an action in federal court) courts located in or for Pinellas County, Florida. This choice of venue is intended by the Parties to be mandatory and not permissive in nature, and to preclude the possibility of litigation between the Parties with respect to, or arising out of, this Agreement in any jurisdiction other than that specified in this section. Each Party waives any right it may have to assert the doctrine of forum non-conveniens or similar doctrine or to object to venue with respect to any proceeding brought in accordance with this section.
 3. **Paragraph 1.03 (Term of Contract)** is revised to clarify that, as between the County and Contractor, the "Effective Date" is the date listed above. Should the FLORIDA SHERIFFS ASSOCIATION AGREEMENT terminate before the end of the term of the Agreement between the County and Contractor, all applicable terms of the conditions of the FLORIDA SHERIFFS ASSOCIATION AGREEMENT incorporated herein will remain in full force and effect.
- F. **Non-Exclusive Agreement.** Entering into an Agreement imposes no obligation on the COUNTY to utilize the CONTRACTOR for all goods and/or services of the type contracted for which may develop during the agreement period. All agreements are non-exclusive. During the term of any Agreement the COUNTY reserves the right to contract with another provider for similar goods and/or services as it determines necessary in its sole discretion.
- G. **Independent CONTRACTOR Status and Compliance with the Immigration Reform and Control Act.** CONTRACTOR is and will remain an independent contractor and is neither agent, employee, partner, nor joint venturer of COUNTY. CONTRACTOR acknowledges that it is responsible for complying with the provisions of the Immigration Reform and Control Act of 1986 located at 8 U.S.C. 1324, et seq, and regulations relating thereto, as either may be amended from time to time. Failure to comply with the above provisions will be considered a material breach of the Agreement.
- H. **Termination for Convenience.** Notwithstanding any other provision herein, the County may terminate this Agreement, without cause, by giving 30 days advance written notice to the Contractor of its election to terminate this Agreement pursuant to this provision.
- I. **Conflict of Interest.** The CONTRACTOR represents that it presently has no interest and will acquire no interest, either direct or indirect, which would conflict in any manner with the performance of the Services required hereunder, and that no person having any such interest will be employed by CONTRACTOR during the agreement term and any extensions. The CONTRACTOR must promptly notify the COUNTY in writing of any business association, interest, or other circumstance which constitutes a conflict of interest as provided herein. If the CONTRACTOR is in doubt as to whether a prospective business association, interest, or other circumstance constitutes a conflict of interest, the Contract may identify the prospective business association, interest or circumstance, the nature of work that the CONTRACTOR may undertake and request an opinion from CONTRACTOR's legal counsel, at CONTRACTOR's sole expense, as to whether the business association, interest or circumstance constitutes a conflict of interest if entered into by the CONTRACTOR.

- J. **Confidential Information and Public Records.**
1. **County Confidential Information** - Contractor shall not disclose to any third party County Confidential Information that Contractor, through its Contractor Personnel, has access to or has received from the County pursuant to its performance of Services pursuant to the Agreement, unless approved in writing by the County Contract Manager. All such County Confidential Information will be held in trust and confidence from the date of disclosure by the County, and discussions involving such County Confidential Information shall be limited to Contractor Personnel as is necessary to complete the Services.
 2. **Contractor Confidential Information** - All Contractor Confidential Information received by the County from Contractor will be held in trust and confidence from the date of disclosure by Contractor and discussions involving such Contractor Confidential Information shall be limited to the members of the County's staff and the County's subcontractors who require such information in the performance of this Agreement. The County acknowledges and agrees to respect the copyrights, registrations, trade secrets and other proprietary rights of Contractor in the Contractor Confidential Information during and after the term of the Agreement and shall at all times maintain the confidentiality of the Contractor Confidential Information provided to the County, subject to federal law and the laws of the State of Florida related to public records disclosure. Contractor shall be solely responsible for taking any and all action it deems necessary to protect its Contractor Confidential Information except as provided herein. Contractor acknowledges that the County is subject to public records legislation, including but not limited to Chapter 119, Florida Statutes, and the Florida Rules of Judicial Administration, and that any of the County's obligations under this Section may be superseded by its obligations under any requirements of said laws.
 3. **Audit.** The COUNTY reserves the right to conduct an audit of the CONTRACTOR's records related to this Agreement and any Products or Services provided hereunder, pursuant to Pinellas County Code, Chapter 2. The CONTRACTOR must retain any such records for five (5) years following Contract completion and must provide the COUNTY or their authorized representatives complete access to such records for audit purposes during the term of the Agreement and for five (5) years following Agreement completion. This provision does not entitle COUNTY to audit any records that are not related to the Agreement.
 4. **Confidential Records & Information.** Each party will maintain as confidential any Confidential Records & Information, to the extent authorized by Federal and Florida law. Access to Confidential Records & Information will be limited by the Parties to only those employees or agents that must have access to comply with the terms of the Agreement.
 5. **Cooperation with the Inspector General.** CONTRACTOR will fully cooperate with the Pinellas County Clerk of the Circuit Court's Inspector General in any investigation, audit, inspection, review, or hearing initiated by the Inspector General on behalf of the COUNTY that is associated with the administration or performance of the Agreement, including but not limited to providing timely access to records, authorizing interviews of CONTRACTOR agents or employees, and responding to requests for information. CONTRACTOR will include and enforce this requirement in any subcontractor agreement.
 6. **Public Records.** CONTRACTOR acknowledges that information and data it manages in relation to the Agreement may be public records in accordance with Chapter 119, Florida Statutes. CONTRACTOR agrees that prior to providing Services it will implement policies and procedures to maintain, produce, secure, and retain public records in accordance with applicable laws and regulations, including but not limited to Section 119.0701, Florida Statutes. Notwithstanding any other provision of this Agreement relating to compensation, the CONTRACTOR agrees to charge the COUNTY, and/or any third parties requesting public records only such fees allowed by Section 119.07, Florida Statutes, and County policy for locating and producing public records during the term of this Agreement. A CONTRACTOR who fails to provide the public records to the public

agency within a reasonable time may be subject to penalties under s. 119.10. Upon request from the COUNTY's custodian of public records, CONTRACTOR will provide the COUNTY with a copy of the requested records or allow the records to be inspected or copied within a reasonable time at a cost that does not exceed the cost provided in Chapter 119, Florida Statutes, or as otherwise provided by law. CONTRACTOR will ensure that public records that are exempt or confidential and exempt from public records disclosure requirements are not disclosed except as authorized by law for the duration of the contract term and following completion of the contract if the CONTRACTOR does not transfer the records to the COUNTY. Upon completion of the contract, the CONTRACTOR will transfer to the COUNTY, at no cost, all public records in possession of the CONTRACTOR, or will keep and maintain public records as required by law. If the CONTRACTOR transfers all public records to the COUNTY upon completion of the contract, the CONTRACTOR will destroy any duplicate public records that are exempt or confidential and exempt from public records disclosure requirements. If the CONTRACTOR keeps and maintains public records upon completion of the contract, the CONTRACTOR will meet all applicable requirements for retaining public records. All records stored electronically must be provided to the COUNTY, upon request from the COUNTY's custodian of public records, in a format that is compatible with the information technology systems of the COUNTY.

IF THE CONTRACTOR HAS QUESTIONS REGARDING THE APPLICATION OF CHAPTER 119, FLORIDA STATUTES, TO THE CONTRACTOR'S DUTY TO PROVIDE PUBLIC RECORDS RELATING TO THIS CONTRACT, CONTACT THE CUSTODIAN OF PUBLIC RECORDS, ADMINISTRATIVE SERVICES, AT (727) 464-3341, clerkinfo@mypinellasclerk.org ATTN: PUBLIC RECORDS LIASON 315 COURT STREET, 4TH FLOOR, ROOM 400, CLEARWATER, FL 33756

The Parties acknowledge and agree that the statements and provisions in this Section are required by Florida Statutes to be included in certain contracts. The inclusion of these provisions will not be construed to imply that the CONTRACTOR has been delegated any governmental decision-making authority, governmental responsibility, or governmental function, or that CONTRACTOR is acting on behalf of the COUNTY as provided under section 119.011(2), Florida Statutes. As stated above, CONTRACTOR may contact the COUNTY with questions regarding the application of the Public Records Law; however, CONTRACTOR is advised to seek independent legal counsel as to its legal obligations. The COUNTY cannot provide CONTRACTOR advice regarding its legal rights or obligations.

- K. **E-Verify.** The contractor and subcontractor must register with and use the E-verify system in accordance with Florida Statute 448.095. A contractor and subcontractor may not enter into a contract with the County unless each party registers with and uses the E-verify system. If a contractor enters a contract with a subcontractor, the subcontractor must provide the contractor with an affidavit stating that the Subcontractor does not employ, contract with, or subcontract with unauthorized aliens. The contractor must maintain a copy of the affidavit for the duration of the contract. If the County, Contractor, or Subcontractor has a good faith belief that a person or entity with which it is contracting has knowingly violated Florida Statute 448.09(1) shall immediately terminate the contract with the person or entity. If the County has a good faith belief that a Subcontractor knowingly violated this provision, but the Contractor otherwise complied with this provision, the County will notify the Contractor and order that the Contractor immediately terminate the contract with the Subcontractor. A contract terminated under the provisions of this section is not a breach of contract and may not be considered such. Any contract termination under the provisions of this section may be challenged to Section 448.095(2)(d), Florida Statute. Contractor acknowledges

upon termination of this agreement by the County for violation of this section by Contractor, Contractor may not be awarded a public contract for at least one (1) year. Contractor acknowledges that Contractor is liable for any additional costs incurred by the County as a result of termination of any contract for a violation of this section. Contractor or Subcontractor shall insert in any subcontracts the clauses set forth in this section, requiring the subcontracts to include these clauses in any lower tier subcontracts. Contractor shall be responsible for compliance by any Subcontractor or Lower Tier Subcontractor with the clause set for in this section

L. Payment & Fiscal Obligations

1. Fiscal Non-Funding

- A. The Agreement is not a general obligation of the COUNTY. It is understood that neither this Agreement nor any representation by any COUNTY employee or officer creates any obligation to appropriate or make monies available for the purpose of the Agreement beyond the fiscal year in which this Agreement is executed. No liability will be incurred by the COUNTY, or any department, beyond the monies budgeted and available for this purpose. In the event that sufficient budgeted funds are not available for a new fiscal period, COUNTY will notify the CONTRACTOR of such occurrence and the Agreement will terminate on the last day of the then-current fiscal period without penalty or expense to the COUNTY.

2. Invoices

- A. Invoices (if applicable) must be submitted to the billing address indicated below, or electronically as permitted by the COUNTY. Any invoiced payments will be made in accordance with the Local Government Prompt Payment Act, Florida Statutes § 218.70 et seq.. The COUNTY will notify the CONTRACTOR in writing of a change in the billing address. Any invoices must reference a valid contract or purchase order number and must include reasonable detail and supporting documentation, as necessary, for a proper pre-audit and post-audit thereof, to comply with Florida Statutes. When the Agreement is terminated, all amounts due will be pro-rated.
- B. Invoices (if applicable) must be submitted to:
 - a. Clerk of the Circuit Court and Comptroller
 - b. Attn: Finance Division / Accounts Payable
 - c. PO Box 2438
 - d. Clearwater, Florida 33757
 - e. Phone: 727-464-8300
 - f. Email: ClerkFinanceDivisionFixedAssets@mypinellasclerk.org
- C. The CONTRACTOR will provide the COUNTY with a completed IRS Form W-9 upon execution of the Agreement.

3. Refunds

- A. The CONTRACTOR will, without delay, provide a full refund to the COUNTY of any payments made, upon failure to timely and completely provide the Services for which the payments were made. At the end of the initial term, pricing may be adjusted based on mutual agreement of the Parties.

4. Taxes

- A. The COUNTY is immune from taxation. The Florida State Sales Tax Exemption Number for Pinellas County is 85-8013287050C-7 and the Federal Excise Tax

Exemption Number is 59-6000800. The COUNTY will have no liability for any sales, service, value added, use, excise, gross receipts, property, workers' compensation, unemployment compensation, withholding or other taxes, whether levied upon CONTRACTOR or CONTRACTOR's assets, or upon the COUNTY in connection with the Agreement. Payments to County are subject to applicable Florida taxes, which will be the sole responsibility of CONTRACTOR.

5. Travel Expenses

- A. No travel or per diem reimbursement expenses will be paid unless expressly authorized in the Agreement and approved by the COUNTY in writing in advance. All bills for any authorized travel expenses will be submitted and paid in accordance with the rates and procedures specified in Section 112.061, Florida Statutes, and in compliance with the COUNTY's policy for travel expenses.

M. DISPUTE RESOLUTION FOR PINELLAS COUNTY BOARD OF COUNTY COMMISSIONERS IN MATTERS OF INVOICE PAYMENTS:

Payment of invoices for work performed for Pinellas COUNTY Board of COUNTY Commissioners (COUNTY) is made, by standard, in arrears in accordance with Section 218.70, et. seq., Florida Statutes, the Local Government Prompt Payment Act.

If a dispute should arise as a result of non. payment of a payment request or invoice the following Dispute Resolution process will apply:

1. Pinellas COUNTY will notify a vendor in writing within 10 days of receipt of an improper invoice. The notice will indicate what steps the vendor should undertake to correct the invoice and resubmit a proper invoice to the COUNTY. Such steps should include requiring the vendor to contact the requesting department to validate the invoice and receive a sign off from that entity that would indicate that the invoice in question is in compliance with the terms and conditions of the Agreement, and then resubmitting the invoice as a "Corrected Invoice" to the requesting department to initiate the payment timeline.
 - B. Requesting department for this purpose is defined as the COUNTY department for which the work is performed or to which goods are provided.
 - C. Proper invoice for this purpose is defined as an invoice submitted for work performed that meets prior agreed upon terms or conditions to the satisfaction of Pinellas COUNTY.
2. Should a dispute result between the vendor and the COUNTY about payment of a payment request or an invoice then the vendor should submit their dissatisfaction in writing to the Requesting Department. Each Requesting Department will assign a representative who will act as a "Dispute Manager" to resolve the issue at departmental level.
3. The Dispute Manager will first initiate procedures to investigate the dispute and document the steps taken to resolve the issue in accordance with section 218.76 Florida Statutes. Such procedures must be commenced no later than 30 days after the date on which the payment request or invoice was received by Pinellas COUNTY and will not extend beyond 45 days after the date on which the payment request or invoice was received by Pinellas COUNTY.

4. The Dispute Manager should investigate and ascertain that the work, for which the payment request or invoice has been submitted, was performed to Pinellas COUNTY's satisfaction and duly accepted by the Proper Authority. Proper Authority for this purpose is defined as the Pinellas COUNTY representative who is designated as the approving authority for the work performed in the contractual document. The Dispute Manager will perform the required investigation and arrive at a solution before or at the 45-day timeframe for resolution of the dispute, per section 218.76, Florida Statutes. The COUNTY Administrator or his or her designee will be the final arbiter in resolving the issue before it becomes a legal matter. The COUNTY Administrator or his or her designee will issue their decision in writing.
5. Pinellas COUNTY Dispute Resolution Procedures will not be subject to Chapter 120 of the Florida Statutes. The procedures will also, per section 218.76, Florida Statutes, not be intended as an administrative proceeding which would prohibit a court from ruling again on any action resulting from the dispute.
6. Should the dispute be resolved in the COUNTY's favor interest charges begin to accrue 15 days after the final decision made by the COUNTY. Should the dispute be resolved in the vendor's favor the COUNTY will pay interest as of the original date the payment was due.
7. For any legal action to recover any fees due because of the application of sections 218.70 et. seq., Florida Statutes, an award will be made to cover court costs and reasonable attorney fees, including those fees incurred as a result of an appeal, to the prevailing party. If it is found that the non-prevailing party held back any payment that was the reason for the dispute without having any reasonable lawful basis or fact to dispute the prevailing party's claim to those amounts.

N. Notices

Any notice or written communication pursuant to the terms of this Agreement must be delivered in person, by Certified Mail, Return Receipt Requested or private carrier express mail, or emailed to the person or persons designated in the Agreement. Notice will be deemed to have been given on the date shown on the return receipt, or date of actual delivery, whichever is earlier. Either designated recipient will notify the other, in writing, if someone else is designated to receive notice.

O. Acceptance of Deliverables

For all deliverables under the Agreement that require formal acceptance by the COUNTY, the COUNTY will have 10 calendar days to review the deliverable(s) after receipt or completion of same by CONTRACTOR, and either accept or reject the deliverable(s) by written notice specifying any required changes, deficiencies, and/or additions necessary. CONTRACTOR will then have 7 calendar days to revise the deliverable(s) to resubmit and/or complete the deliverable(s) for review and approval by the COUNTY, which will then have 7 calendar days to review and approve, or reject the deliverable(s); provided however, that CONTRACTOR will not be responsible for any delays in the overall project schedule that result from the COUNTY's failure to timely approve or reject deliverable(s) as provided herein. The County will acknowledge final acceptance of the deliverable(s) in writing.

P. **Entire Agreement.** This Agreement constitutes the entire agreement between the Parties.

O. Signatures

IN WITNESS WHEREOF, the Parties have caused this Agreement to be executed by their undersigned officials, who are duly authorized to bind the Parties to the Agreement.

For CONTRACTOR:

Signature



Print Name & Title David Metcalf, Truck Specifications Specialist

Date 2/28/24

For COUNTY:

Signature

Print Name & Title

Date

APPROVED AS TO FORM

By: Keiah Townsend
Office of the County Attorney

Exhibit A –Specifications/Price Schedule

MV607 SBA

Sales Proposal For:

PINELLAS COUNTY

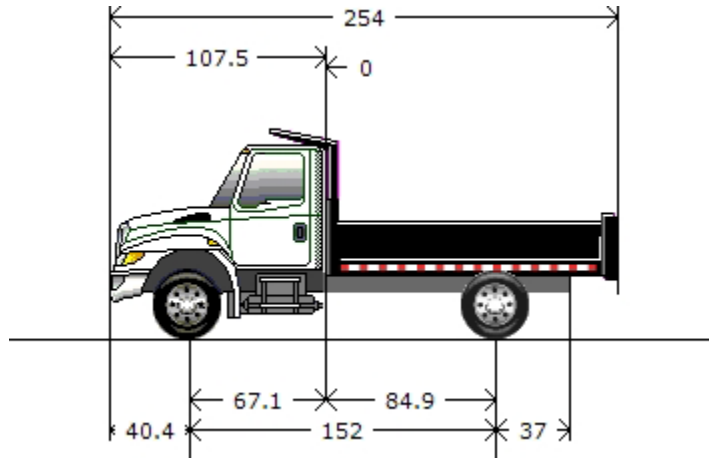
Presented By:

SUN STATE INTL TRKS, LLC

Prepared For:
PINELLAS COUNTY
Greg Herremans
9685 Ulmerton Rd.
Largo, FL 33771-3699
(727)582 - 3007
Reference ID: Item 46

Presented By:
SUN STATE INTL TRKS, LLC
David Metcalf
6020 ADAMO DRIVE
TAMPA FL 33619 -
(813)621-1331

Thank you for the opportunity to provide you with the following quotation on a new International truck. I am sure the following detailed specification will meet your operational requirements, and I look forward to serving your business needs.



Model Profile
2025 MV607 SBA (MV607)

- AXLE CONFIG:** 4X2
- APPLICATION:** Landscape Dump
- MISSION:** Requested GVWR: 33000. Calc. GVWR: 33000. Calc. GCWR: 50000
Calc. Start / Grade Ability: 22.42% / 1.54% @ 55 MPH
Calc. Geared Speed: 92.0 MPH
- DIMENSION:** Wheelbase: 152.00, CA: 84.90, Axle to Frame: 37.00
- ENGINE, DIESEL:** {Cummins B6.7 260} EPA 2024, 260HP @ 2400 RPM, 660 lb-ft Torque @ 1600 RPM, 2600 RPM Governed Speed, 260 Peak HP (Max)
- TRANSMISSION, AUTOMATIC:** {Allison 3000 RDS} 6th Generation Controls, Close Ratio, 6-Speed with Double Overdrive, with PTO Provision, Less Retarder, Includes Oil Level Sensor, with 80,000-lb GVW and GCW Max, On/Off Highway
- CLUTCH:** Omit Item (Clutch & Control)
- AXLE, FRONT NON-DRIVING:** {Meritor MFS-12-122A} I-Beam Type, 12,000-lb Capacity
- AXLE, REAR, SINGLE:** {Dana Spicer 21060D} Single Reduction, 21,000-lb Capacity, Driver Control Locking Differential, R Wheel Ends Gear Ratio: 5.29
- CAB:** Conventional, Day Cab
- TIRE, FRONT:** (2) 11R22.5 Load Range H HSR 3 (CONTINENTAL), 494 rev/mile, 75 MPH, All-Position
- TIRE, REAR:** (4) 11R22.5 Load Range G HDL2 (CONTINENTAL), 493 rev/mile, 75 MPH, Drive
- SUSPENSION, REAR, SINGLE:** 23,500-lb Capacity, Vari-Rate Springs, with 4500-lb Capacity Auxiliary Rubber Springs
- PAINT:** Cab schematic 100WP
Location 1: 9219, Winter White (Std)
Chassis schematic N/A

INTERNATIONAL®**Vehicle Specifications**
2025 MV607 SBA (MV607)**October 28, 2023**

<u>Code</u>	<u>Description</u>	<u>F/R Wt</u> (lbs)	<u>Tot Wt</u> (lbs)
MV60700	Base Chassis, Model MV607 SBA with 152.00 Wheelbase, 84.90 CA, and 37.00 Axle to Frame.	5354/2774	8128
1570	TOW HOOK, FRONT (2) Frame Mounted	8/0	8
1ANA	AXLE CONFIGURATION {Navistar} 4x2	0/0	0
	<u>Notes</u> : Pricing may change if axle configuration is changed.		
1CAE	FRAME RAILS Heat Treated Alloy Steel (120,000 PSI Yield); 10.125" x 3.580" x 0.312" (257.2mm x 90.9mm x 8.0mm); 460.0" (11684mm) Maximum OAL	58/49	107
1LEG	LICENSE PLATE HOLDER Includes Upper & Lower Mounting Plate Hardware, Mounted in Existing Holes in Front Bumper	3/0	3
1LNG	BUMPER, FRONT Contoured, Steel, Painted Gloss Black	0/0	0
1WEH	WHEELBASE RANGE 134" (340cm) Through and Including 197" (500cm)	75/-75	0
2ASC	AXLE, FRONT NON-DRIVING {Meritor MFS-12-122A} I-Beam Type, 12,000-lb Capacity	42/0	42
3ADC	SUSPENSION, FRONT, SPRING Parabolic Taper Leaf, Shackle Type, 12,000-lb Capacity, with Shock Absorbers	36/0	36
	<u>Includes</u> : SPRING PINS Rubber Bushings, Maintenance-Free		
4091	BRAKE SYSTEM, AIR Dual System for Straight Truck Applications	-27/-23	-50
	<u>Includes</u> : BRAKE LINES Color and Size Coded Nylon : DRAIN VALVE Twist-Type : GAUGE, AIR PRESSURE (2) Air 1 and Air 2 Gauges; Located in Instrument Cluster : PARKING BRAKE CONTROL Yellow Knob, Located on Instrument Panel : PARKING BRAKE VALVE For Truck : QUICK RELEASE VALVE On Rear Axle for Spring Brake Release: 1 for 4x2, 2 for 6x4 : SPRING BRAKE MODULATOR VALVE R-7 for 4x2, SR-7 with relay valve for 6x4/8x6		
4619	TRAILER CONNECTIONS Four-Wheel, with Hand Control Valve and Tractor Protection Valve, for Straight Truck	1/0	1
	<u>Notes</u> : When electronic stability control is ordered with trailer connections on a 4x2 truck, please check the operator manual for trailer weight restrictions.		
4722	DRAIN VALVE {Bendix DV-2} Automatic, with Heater, for Air Tank	2/0	2
4AZA	AIR BRAKE ABS {Bendix AntiLock Brake System} 4-Channel (4 Sensor/4 Modulator) Full Vehicle Wheel Control System	9/21	30
4EDN	AIR DRYER {Bendix AD-9SI} with Heater, Includes Safety Valve	19/-2	17
4EXP	BRAKE CHAMBERS, FRONT AXLE {Bendix} 20 SqIn	16/0	16
4EXU	BRAKE CHAMBERS, REAR AXLE {Bendix EverSure} 30/30 SqIn Spring Brake	0/39	39
4GBM	BRAKE, PARKING Manual Push-Pull Pneumatic Parking Brake	1/0	1
4LAG	SLACK ADJUSTERS, FRONT {Gunite} Automatic	14/0	14

<u>Code</u>	<u>Description</u>	<u>F/R Wt</u> (lbs)	<u>Tot Wt</u> (lbs)
4LGG	SLACK ADJUSTERS, REAR {Gunite} Automatic	0/14	14
4SPA	AIR COMPRESSOR {Cummins} 18.7 CFM	37/1	38
4VKJ	AIR TANK LOCATION (2) Mounted Under Battery Box, Outside Left Rail, Back of Cab, Perpendicular to Rail	23/34	57
4VLE	AIR DRYER LOCATION Mounted Inside Engine Compartment, Right Side	0/0	0
4XDC	BRAKES, FRONT {Meritor 15X4 Q-PLUS CAST} Air S-Cam Type, Cast Spider, Fabricated Shoe, Double Anchor Pin, Size 15" X 4", 13,200-lb Capacity	77/0	77
4XDR	BRAKES, REAR {Meritor 16.5X7 Q-PLUS CAST} Air S-Cam Type, Cast Spider, Fabricated Shoe, Double Anchor Pin, Size 16.5" X 7", 23,000-lb Capacity per Axle	0/195	195
5708	STEERING COLUMN Tilting	14/2	16
5CAW	STEERING WHEEL 4-Spoke; 18" Dia., Black	0/0	0
5PSA	STEERING GEAR {Sheppard M100} Power	28/-6	22
6DGB	DRIVELINE SYSTEM {Dana Spicer} SPL140, for 4x2/6x2	6/18	24
7BMR	EXHAUST SYSTEM Horizontal Aftertreatment System, Frame Mounted Under Right Rail Forward Location, Includes Single Short Horizontal Tail Pipe, for Short Wheelbase	44/-34	10
7SCP	ENGINE EXHAUST BRAKE for Cummins ISB/B6.7/ISL/L9 Engine with Variable Vane Turbo Charger	0/0	0
8000	ELECTRICAL SYSTEM 12-Volt, Standard Equipment	0/0	0
	<u>Includes</u>		
	: DATA LINK CONNECTOR For Vehicle Programming and Diagnostics In Cab		
	: HAZARD SWITCH Push On/Push Off, Located on Instrument Panel to Right of Steering Wheel		
	: HEADLIGHT DIMMER SWITCH Integral with Turn Signal Lever		
	: PARKING LIGHT Integral with Front Turn Signal and Rear Tail Light		
	: STARTER SWITCH Electric, Key Operated		
	: STOP, TURN, TAIL & B/U LIGHTS Dual, Rear, Combination with Reflector		
	: TURN SIGNAL SWITCH Self-Cancelling for Trucks, Manual Cancelling for Tractors, with Lane Change Feature		
	: TURN SIGNALS, FRONT Includes Reflectors and Auxiliary Side Turn Signals, Solid State Flashers; Flush Mounted		
	: WINDSHIELD WIPER SWITCH 2-Speed with Wash and Intermittent Feature (5 Pre-Set Delays), Integral with Turn Signal Lever		
	: WINDSHIELD WIPERS Single Motor, Electric, Cowl Mounted		
	: WIRING, CHASSIS Color Coded and Continuously Numbered		
8GXD	ALTERNATOR {Leece-Neville AVI160P2013} Brush Type, 12 Volt, 160 Amp Capacity, Pad Mount, with Remote Sense	0/0	0
8HAB	BODY BUILDER WIRING Back of Day Cab at Left Frame or Under Sleeper, Extended or Crew Cab at Left Frame; Includes Sealed Connectors for Tail/Amber Turn/Marker/ Backup/Accessory Power/Ground and Sealed Connector for Stop/Turn	2/0	2
8HAH	ELECTRIC TRAILER BRAKE/LIGHTS Accommodation Package to Rear of Frame; for Combined Trailer Stop, Tail, Turn, Marker Light Circuits; Includes Electric Trailer Brake Accommodation Package with Cab Connections for Mounting Customer Installed Electric Brake Unit, Less Trailer Socket	0/2	2

INTERNATIONAL®**Vehicle Specifications**
2025 MV607 SBA (MV607)**October 28, 2023**

<u>Code</u>	<u>Description</u>	<u>F/R Wt</u> (lbs)	<u>Tot Wt</u> (lbs)
8MJP	BATTERY SYSTEM {Fleetrite} Maintenance-Free, (2) 12-Volt 1320CCA Total, Top Threaded Stud	0/0	0
8RMZ	SPEAKERS (2) 6.5" Dual Cone Mounted in Both Doors, (2) 5.25" Dual Cone Mounted in Both B-Pillars	7/1	8
8RPP	ANTENNA Shark Fin, Roof Mounted	1/0	1
8RPS	RADIO AM/FM/WB/Clock/Bluetooth/USB Input/Auxiliary Input	3/0	3
8THB	BACK-UP ALARM Electric, 102 dBA	0/3	3
8TKK	TRAILER AUXILIARY FEED CIRCUIT for Electric Trailer Brake Accommodation/ Air Trailer ABS; with 30 Amp Fuse and Relay, Controlled by Ignition Switch	1/0	1
8TPR	STOP, TURN, TAIL & B/U LIGHTS {Weldon} Multi-Function LED Lamp, Mounted Outside Rails, Includes LED License Plate Light	-3/14	11
8VBE	HORN, ELECTRIC (1) Trumpet Style	0/0	0
8VUL	BATTERY BOX Steel, with Plastic Cover, 18" Wide, 2-4 Battery Capacity, Mounted Left Side Back of Cab	-16/24	8
8WBW	JUMP START STUD Remote Mounted <u>Includes</u> : JUMP START STUD Mounted to Battery Box	2/0	2
8WGL	WINDSHIELD WIPER SPD CONTROL Force Wipers to Slowest Intermittent Speed When Park Brake Set and Wipers Left on for a Predetermined Time	0/0	0
8WPH	CLEARANCE/MARKER LIGHTS (5) {Truck Lite} Amber LED Lights, Flush Mounted on Cab or Sunshade	1/0	1
8WPZ	TEST EXTERIOR LIGHTS Pre-Trip Inspection will Cycle all Exterior Lamps Except Back-up Lights	0/0	0
8WRB	HEADLIGHTS ON W/WIPERS Headlights Will Automatically Turn on if Windshield Wipers are turned on	0/0	0
8WWJ	INDICATOR, LOW COOLANT LEVEL with Audible Alarm	0/0	0
8WXB	HEADLIGHT WARNING BUZZER Sounds When Head Light Switch is on and Ignition Switch is in "Off" Position	0/0	0
8WXD	ALARM, PARKING BRAKE Electric Horn Sounds in Repetitive Manner When Vehicle Park Brake is "NOT" Set, with Ignition "OFF" and any Door Opened	0/0	0
8XAH	CIRCUIT BREAKERS Manual-Reset (Main Panel) SAE Type III with Trip Indicators, Replaces All Fuses	0/0	0
8XHN	HORN, AIR Single Trumpet, Black, with Lanyard Pull Cord	3/0	3
8XJH	FOG LIGHTS (2) Clear Lens, LED, Rectangular, with White Light Source	3/0	3
8XKC	HEADLIGHTS Halogen, with Daytime Running Lights, Automatic Twilight Controlled	0/0	0
8XKL	STARTING MOTOR {Mitsubishi Electric Automotive America 90P47} 12-Volt, with Soft-Start	0/0	0
8XPB	POWER SOURCE, ADDITIONAL Auxiliary Power Outlet (APO) with USB-A Port and USB-C Port, Located in the Instrument Panel	0/0	0
9AAB	LOGOS EXTERIOR Model Badges	0/0	0

INTERNATIONAL®**Vehicle Specifications**
2025 MV607 SBA (MV607)**October 28, 2023**

<u>Code</u>	<u>Description</u>	<u>F/R Wt</u> (lbs)	<u>Tot Wt</u> (lbs)
9AAE	LOGOS EXTERIOR, ENGINE Badges	0/0	0
9HAN	INSULATION, UNDER HOOD for Sound Abatement	10/0	10
9HCW	GRILLE Molded in Black	0/0	0
9WBN	FENDER EXTENSIONS Painted	0/0	0
9WBW	FRONT END Tilting, Fiberglass, with Three Piece Construction, Dual Air Intakes	0/0	0
9WBZ	BUG SCREEN Mounted Behind Grille and Bumper Grille	5/0	5
10060	PAINT SCHEMATIC, PT-1 Single Color, Design 100	0/0	0
	<u>Includes</u> : PAINT SCHEMATIC ID LETTERS "WP"		
10761	PAINT TYPE Base Coat/Clear Coat, 1-2 Tone	0/0	0
10AGB	COMMUNICATIONS MODULE Telematics Device with Over the Air Programming; Includes Five Year Data Plan and International 360	0/0	0
10BAE	LABEL, DEF "DEF ONLY"	0/0	0
10SLV	PROMOTIONAL PACKAGE Government Silver Package	0/0	0
10VAA	KEYS - ALL ALIKE, ADDITIONAL 3 Keys	0/0	0
10WKN	KEYS - ALL ALIKE, ID I-1624 Compatible with Z-250	0/0	0
10WUE	MUD FLAPS, FRONT WHEELS (2) Rubber, Mounted on Fender Extension	12/0	12
10XAN	FIRE EXTINGUISHER 5 lb Class A B C	8/2	10
10XAP	FIRE EXTINGUISHER BRACKET Mounted Left Side Driver Seat	1/0	1
11001	CLUTCH Omit Item (Clutch & Control)	0/0	0
12703	ANTI-FREEZE Red, Extended Life Coolant; To -40 Degrees F/ -40 Degrees C, Freeze Protection	0/0	0
12EMZ	VENDOR WARRANTY, ENGINE {Cummins} B6.7 Engine, 3-Year Unlimited Miles Standard Warranty	0/0	0
12EXV	ENGINE, DIESEL {Cummins B6.7 260} EPA 2024, 260HP @ 2400 RPM, 660 lb-ft Torque @ 1600 RPM, 2600 RPM Governed Speed, 260 Peak HP (Max)	0/0	0
12TSY	FAN DRIVE {Borg-Warner SA85} Viscous Type, Screw On	0/0	0
	<u>Includes</u> : FAN Nylon		
12VCE	AIR CLEANER Single Element, Fire Retardant Media	0/0	0
12VJR	EMISSION, CALENDAR YEAR {Cummins B6.7} EPA, OBD and GHG Certified for Calendar Year 2024	0/0	0
12VXU	THROTTLE, HAND CONTROL Engine Speed Control for PTO; Electronic, Stationary Pre-Set, Two Speed Settings; Mounted on Steering Wheel	2/0	2
12WPV	OIL PAN 15 Quart Capacity, For Cummins ISB/B6.7 Engines	0/0	0
12WVG	EPA IDLE COMPLIANCE Low NOx Idle Engine, Complies with EPA Clean Air Regulations; Includes "Certified Clean Idle" Decal on Hood	0/0	0
12WZE	CARB IDLE COMPLIANCE Does Not Comply with California Clean Air Idle Regulations	0/0	0

INTERNATIONAL®**Vehicle Specifications**
2025 MV607 SBA (MV607)**October 28, 2023**

<u>Code</u>	<u>Description</u>	<u>F/R Wt</u> (lbs)	<u>Tot Wt</u> (lbs)
12XBM	ENGINE CONTROL, REMOTE MOUNTED Provision for; Includes Wiring for Body Builder Installation of PTO Controls and Starter Lockout, with Ignition Switch Control, for Cummins B6.7 and L9 Engines	0/0	0
12XCC	RADIATOR Aluminum, 2-Row, Down Flow, Front to Back System, 640 SqIn Louvered, with 383 SqIn Charge Air Cooler, Includes In-Tank Oil Cooler	0/0	0
12XCS	CARB EMISSION WARR COMPLIANCE Does Not Comply with CARB Emission Warranty	0/0	0
13BCS	TRANSMISSION, AUTOMATIC {Allison 3000 RDS} 6th Generation Controls, Close Ratio, 6-Speed with Double Overdrive, with PTO Provision, Less Retarder, Includes Oil Level Sensor, with 80,000-lb GVW and GCW Max, On/Off Highway	210/73	283
13WET	TRANSMISSION SHIFT CONTROL Column Mounted Stalk Shifter, Not for Use with Allison 1000 & 2000 Series Transmission	1/0	1
13WLP	TRANSMISSION OIL Synthetic; 29 thru 42 Pints	0/0	0
13WUC	ALLISON SPARE INPUT/OUTPUT for Rugged Duty Series (RDS) and Regional Haul Series (RHS), General Purpose Trucks, Construction, Package Number 223	0/0	0
13WVV	NEUTRAL AT STOP Allison Transmission Shifts to Neutral When Service Brake is Depressed and Vehicle is at Stop; Remains in Neutral Until Service Brake is Released	0/0	0
13WYU	SHIFT CONTROL PARAMETERS {Allison} 3000 or 4000 Series Transmissions, Performance Programming	0/0	0
13XAL	PTO LOCATION Customer Intends to Install PTO at Left Side of Transmission	0/0	0
14AKW	AXLE, REAR, SINGLE {Dana Spicer 21060D} Single Reduction, 21,000-lb Capacity, Driver Control Locking Differential, R Wheel Ends . Gear Ratio: 5.29	0/248	248
14VAH	SUSPENSION, REAR, SINGLE 23,500-lb Capacity, Vari-Rate Springs, with 4500-lb Capacity Auxiliary Rubber Springs	0/66	66
14WAP	SHOCK ABSORBERS, REAR (2)	0/45	45
14WMN	AXLE, REAR, LUBE {EmGard FE-75W-90} Synthetic Oil; 1 thru 29.99 Pints	0/0	0
15LMR	FUEL/WATER SEPARATOR {Racor 400 Series,} with Primer Pump, Includes Water-in-Fuel Sensor	0/0	0
15LRE	LOCATION FUEL/WATER SEPARATOR Mounted Under Hood, Left Side, Above Front Axle	0/0	0
15SRE	FUEL TANK Top Draw, Non-Polished Aluminum, D-Style, 19" Tank Depth, 50 US Gal (189L), Mounted Left Side, Under Cab	19/10	29
15WDG	DEF TANK 7 US Gal (26L) Capacity, Frame Mounted Outside Left Rail, Under Cab	0/0	0
16030	CAB Conventional, Day Cab	0/0	0
	<u>Includes</u> : CLEARANCE/MARKER LIGHTS (5) Flush Mounted		
16BAM	AIR CONDITIONER with Integral Heater and Defroster	56/0	56
16GEG	GAUGE CLUSTER Premium Level; English with English Electronic Speedometer	0/0	0
	<u>Includes</u> : GAUGE CLUSTER DISPLAY: Base Level (3" Monochromatic Display), Premium Level (5" LCD Color Display); Odometer, Voltmeter, Diagnostic Messages, Gear		

<u>Code</u>	<u>Description</u>	<u>F/R Wt</u> (lbs)	<u>Tot Wt</u> (lbs)
	Indicator, Trip Odometer, Total Engine Hours, Trip Hours, MPG, Distance to Empty/ Refill for : GAUGE CLUSTER Speedometer, Tachometer, Engine Coolant Temp, Fuel Gauge, DEF Gauge, Oil Pressure Gauge, Primary and Secondary Air Pressure or Auxiliary Air Pressure (if Air Equipped) : WARNING SYSTEM Low Fuel, Low DEF, Low Oil Pressure, High Engine Coolant Temp, Low Battery Voltage (Visual and Audible), Low Air Pressure, Primary and Secondary (if Air Equipped)		
16GHU	GRAB HANDLE, CAB INTERIOR (2) Safety Yellow	0/0	0
16HGH	GAUGE, OIL TEMP, AUTO TRANS for Allison Transmission	1/0	1
16HKT	IP CLUSTER DISPLAY On Board Diagnostics Display of Fault Codes in Gauge Cluster	0/0	0
16JNT	SEAT, DRIVER {National 2000} Air Suspension, High Back with Integral Headrest, Vinyl, Isolator, 1 Chamber Lumbar, with 2 Position Front Cushion Adjust, -3 to +14 Degree Angle Back Adjust	-13/-5	-18
16LUM	SEAT, PASSENGER {National} Non Suspension, High Back with Integral Headrest, Vinyl, with Fixed Back, with Under Seat Storage	31/14	45
16SDC	GRAB HANDLE, EXTERIOR (2) Chrome, Towel Bar Type, with Anti-Slip Rubber Inserts, for Cab Entry Mounted Left and Right Side at B-Pillar	6/0	6
16SNL	MIRRORS (2) C-Loop, Black Heads and Arms, 7.5" x 14" Flat Glass, Includes 7.5" x 7" Convex Mirrors, for 102" Load Width	0/0	0
	<u>Notes</u> : Mirror Dimensions are Rounded to the Nearest 0.5"		
16VBU	ACCESS, CAB Steel, Driver & Passenger Sides, Two Steps per Door, for use with Day Cab, Steps Mounted Independently to Frame on Passenger Side	3/7	10
16VCC	SEAT BELT All Orange; 1 to 3	0/0	0
16VKB	CAB INTERIOR TRIM Classic, for Day Cab	0/0	0
	<u>Includes</u> : CONSOLE, OVERHEAD Molded Plastic with Dual Storage Pockets, Retainer Nets and CB Radio Pocket; Located Above Driver and Passenger : DOME LIGHT, CAB Door Activated and Push On-Off at Light Lens, Timed Theater Dimming, Integral to Overhead Console, Center Mounted : SUN VISOR (2) Padded Vinyl; 2 Moveable (Front-to-Side) Primary Visors, Driver Side with Toll Ticket Strap		
16VLM	CAB REAR SUSPENSION Rubber Suspension, for Low Cab Height	0/0	0
16WEE	CAB SOUND INSULATION Includes Dash Insulator and Engine Cover Insulator	8/0	8
16WJU	WINDOW, POWER (2) and Power Door Locks, Left and Right Doors, Includes Express Down Feature	5/0	5
16WLM	HOURMETER, PTO for Customer Provided PTO; with Indicator Light and Hourmeter in Gauge Cluster Includes Return Wire for PTO Feedback Switch	2/0	2
16WLS	FRESH AIR FILTER Attached to Air Intake Cover on Cowl Tray in Front of Windshield Under Hood	1/0	1
16XJN	INSTRUMENT PANEL Flat Panel	0/0	0
27DJM	WHEELS, FRONT {Maxion 91541} DISC; 22.5x8.25 Rims, Painted Steel, 2-Hand Hole, 10-Stud, 285.75mm BC, Hub-Piloted, Flanged Nut, with Steel Hubs	0/0	0

INTERNATIONAL®**Vehicle Specifications**
2025 MV607 SBA (MV607)**October 28, 2023**

<u>Code</u>	<u>Description</u>	<u>F/R Wt</u> (lbs 0/-24)	<u>Tot Wt</u> (lbs -24)
28DJM	WHEELS, REAR {Maxion 91541} DUAL DISC; 22.5x8.25 Rims, Painted Steel, 2-Hand Hole, 10-Stud, 285.75mm BC, Hub-Piloted, Flanged Nut, with Steel Hubs		
29PAR	PAINT IDENTITY, FRONT WHEELS Disc Front Wheels; with Vendor Applied White Powder Coat Paint	0/0	0
29PAS	PAINT IDENTITY, REAR WHEELS Disc Rear Wheels; with Vendor Applied White Powder Coat Paint	0/0	0
29WLK	WHEEL BEARING, FRONT, LUBE {EmGard FE-75W-90} Synthetic Oil	0/0	0
7372135432	(4) TIRE, REAR 11R22.5 Load Range G HDL2 (CONTINENTAL), 493 rev/mile, 75 MPH, Drive	0/144	144
7382135439	(2) TIRE, FRONT 11R22.5 Load Range H HSR 3 (CONTINENTAL), 494 rev/mile, 75 MPH, All-Position	78/0	78
	Cab schematic 100WP Location 1: 9219, Winter White (Std)		
	Chassis schematic N/A		
	Services Section:		
40129	WARRANTY Standard for MV Series, Effective with Vehicles Built July 1, 2017 or Later, CTS-2020A	0/0	0
	Total Component Weight:	6290/3631 (lbs)	9921 (lbs)
1	10' 5-Yard Dump Body, Aftermarket quote 8-2023 for 7-Yard`	0/0	0
	Total Body Allied:	0/0 (lbs)	0 (lbs)

The weight calculations included in this proposal are an estimate of future vehicle weight. The actual weight as manufactured may be different from the estimated weight. Navistar, Inc. shall not be liable for any consequences resulting from any differences between the estimated weight of a vehicle and the actual weight.

Description

Price

Net Sales Price:

\$133,475.00



Please feel free to contact me regarding these specifications should your interests or needs change. I am confident you will be pleased with the quality and service of an International vehicle.

In accordance with Florida Sheriffs Association (FSA) contract FSA 23-VEH21.0 valid for PO's issued between 10/1/23 and 9/30/24 with vehicle built by 12/31/2024.

Purchase Orders placed for this specification should include a reference as follows in accordance with the Florida Sheriff's Association Terms: "FSA23-VEH21.0 Item# 46 & selected options, per Proposal 11535"

NOTE: Production expected to be Q2, 2024 with delivery within 90 days of production.

2025 International MV607 6x42:	\$97,605.00	Per FSA Item #46 with selected options, proposal 11535.
10', 5-Yard Dump Body:	\$35,870.00	Per FSA body option AFT1 from Item# 46 options.

Subtotal: \$133,475.00

Florida State Sales Tax: N/A
 Hillsborough County Surtax: N/A
 Florida Tire & Battery Fee: Included
 Florida County Tag: N/A MSO only for self-titling

Total per unit: \$133,475.00

HV607 SBA

Sales Proposal For:

PINELLAS COUNTY

Presented By:

SUN STATE INTL TRKS, LLC

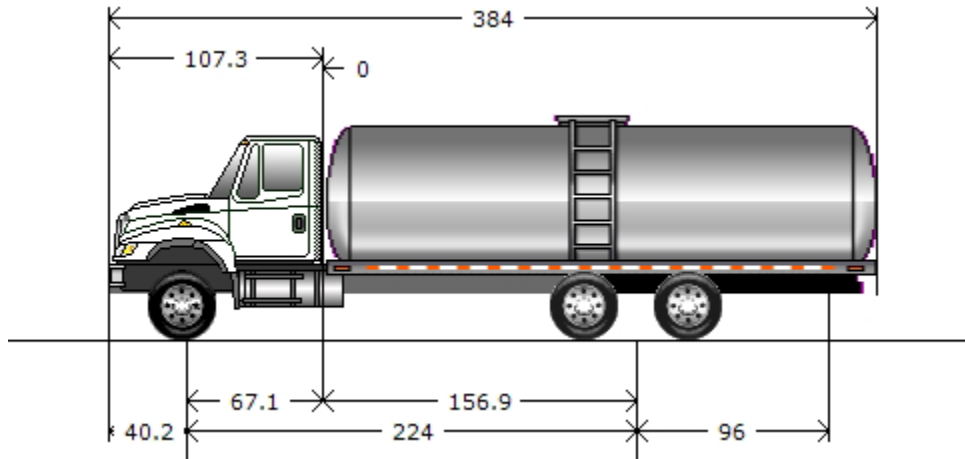
INTERNATIONAL®

November 02, 2023

Prepared For:
 PINELLAS COUNTY
 Greg Herremans
 9685 Ulmerton Rd.
 Largo, FL 33771-3699
 (727)582 - 3007
 Reference ID: Item 61

Presented By:
 SUN STATE INTL TRKS, LLC
 David Metcalf
 6020 ADAMO DRIVE
 TAMPA FL 33619 -
 (813)621-1331

Thank you for the opportunity to provide you with the following quotation on a new International truck. I am sure the following detailed specification will meet your operational requirements, and I look forward to serving your business needs.



Model Profile
2025 HV607 SBA (HV607)

AXLE CONFIG:	6X4
APPLICATION:	Water Truck
MISSION:	Requested GVWR: 56000. Calc. GVWR: 56000. Calc. GCWR: 80000 Calc. Start / Grade Ability: 20.34% / 2.37% @ 55 MPH Calc. Geared Speed: 77.9 MPH
DIMENSION:	Wheelbase: 224.00, CA: 156.90, Axle to Frame: 96.00
ENGINE, DIESEL:	{Cummins L9 360} EPA 2024, 360HP @ 2200 RPM, 1150 lb-ft Torque @ 1200 RPM, 2200 RPM Governed Speed, 359 Peak HP (Max)
TRANSMISSION, AUTOMATIC:	{Allison 3000 RDS} 6th Generation Controls, Close Ratio, 6-Speed with Double Overdrive, with PTO Provision, Less Retarder, Includes Oil Level Sensor, with 80,000-lb GVW and GCW Max, On/Off Highway
CLUTCH:	Omit Item (Clutch & Control)
AXLE, FRONT NON-DRIVING:	{Meritor MFS-16-143A} Wide Track, I-Beam Type, 16,000-lb Capacity
AXLE, REAR, TANDEM:	{Meritor MT-40-14X-4DCR} Single Reduction, 40,000-lb Capacity, .433"(11mm) Wall Housing Thickness, Driver Controlled Locking Differential in Forward-Rear and Rear-Rear Axle, R Wheel Ends Gear Ratio: 5.29
CAB:	Conventional, Day Cab
TIRE, FRONT:	(2) 315/80R22.5 Load Range L HAU 3 WT (CONTINENTAL), 480 rev/mile, 68 MPH, All-Position
TIRE, REAR:	(8) 11R22.5 Load Range G HDL2 (CONTINENTAL), 493 rev/mile, 75 MPH, Drive
SUSPENSION, REAR, TANDEM:	{Hendrickson RT-403} Walking Beam, 40,000-lb Capacity, 52" Axle Spacing, Multileaf Springs, with Rubber Center Bushings
PAINT:	Cab schematic 100WL Location 1: 9219, Winter White (Std) Chassis schematic N/A

<u>Code</u>	<u>Description</u>	<u>F/R Wt</u> (lbs)	<u>Tot Wt</u> (lbs)
HV60700	Base Chassis, Model HV607 SBA with 224.00 Wheelbase, 156.90 CA, and 96.00 Axle to Frame.	6136/3644	9780
1570	TOW HOOK, FRONT (2) Frame Mounted	8/0	8
1AND	AXLE CONFIGURATION {Navistar} 6x4	182/85	267
	<u>Notes</u> : Pricing may change if axle configuration is changed.		
1CAG	FRAME RAILS Heat Treated Alloy Steel (120,000 PSI Yield); 10.250" x 3.610" x 0.375" (260.4mm x 91.7mm x 9.5mm); 456.0" (11582mm) Maximum OAL	133/544	677
1LLD	BUMPER, FRONT Contoured, Steel	-9/1	-8
1MEJ	FRAME DIMPLE Dimple on Left and Right Top Flange of Frame Rail to Reference Rear Axle Centerline	0/0	0
1WGY	WHEELBASE RANGE 221" (560cm) Through and Including 262" (665cm)	323/-323	0
1WMS	BUMPER EXTENSION, FRONT 2.0"	3/0	3
2ARU	AXLE, FRONT NON-DRIVING {Meritor MFS-16-143A} Wide Track, I-Beam Type, 16,000-lb Capacity	148/0	148
3ADE	SUSPENSION, FRONT, SPRING Parabolic Taper Leaf, Shackle Type, 16,000-lb Capacity, with Shock Absorbers	44/0	44
4091	BRAKE SYSTEM, AIR Dual System for Straight Truck Applications	0/0	0
	<u>Includes</u> : BRAKE LINES Color and Size Coded Nylon : DRAIN VALVE Twist-Type : GAUGE, AIR PRESSURE (2) Air 1 and Air 2 Gauges; Located in Instrument Cluster : PARKING BRAKE CONTROL Yellow Knob, Located on Instrument Panel : PARKING BRAKE VALVE For Truck : QUICK RELEASE VALVE On Rear Axle for Spring Brake Release: 1 for 4x2, 2 for 6x4 : SPRING BRAKE MODULATOR VALVE R-7 for 4x2, SR-7 with relay valve for 6x4/8x6		
4619	TRAILER CONNECTIONS Four-Wheel, with Hand Control Valve and Tractor Protection Valve, for Straight Truck	2/0	2
	<u>Notes</u> : When electronic stability control is ordered with trailer connections on a 4x2 truck, please check the operator manual for trailer weight restrictions.		
4732	DRAIN VALVE {Berg} with Pull Chain, for Air Tank	0/0	0
4AZA	AIR BRAKE ABS {Bendix AntiLock Brake System} 4-Channel (4 Sensor/4 Modulator) Full Vehicle Wheel Control System	0/0	0
4EBD	AIR DRYER {Wabco System Saver 1200} with Heater	8/3	11
4EXU	BRAKE CHAMBERS, REAR AXLE {Bendix EverSure} 30/30 SqIn Spring Brake	0/14	14
4EXV	BRAKE CHAMBERS, FRONT AXLE {Bendix} 24 SqIn	4/0	4
4GBM	BRAKE, PARKING Manual Push-Pull Pneumatic Parking Brake	1/0	1
4LAA	SLACK ADJUSTERS, FRONT {Haldex} Automatic	14/0	14
4LGA	SLACK ADJUSTERS, REAR {Haldex} Automatic	0/32	32

<u>Code</u>	<u>Description</u>	<u>F/R Wt</u> (lbs)	<u>Tot Wt</u> (lbs)
4SPA	AIR COMPRESSOR {Cummins} 18.7 CFM	0/0	0
4VKC	AIR DRYER LOCATION Mounted Inside Left Rail, Back of Cab	15/6	21
4VKJ	AIR TANK LOCATION (2) Mounted Under Battery Box, Outside Left Rail, Back of Cab, Perpendicular to Rail	-13/20	7
4WBX	DUST SHIELDS, FRONT BRAKE for Air Cam Brakes	10/0	10
4WDM	DUST SHIELDS, REAR BRAKE for Air Cam Brakes	0/20	20
4XDR	BRAKES, REAR {Meritor 16.5X7 Q-PLUS CAST} Air S-Cam Type, Cast Spider, Fabricated Shoe, Double Anchor Pin, Size 16.5" X 7", 23,000-lb Capacity per Axle	0/104	104
4XDT	BRAKES, FRONT {Meritor 16.5X6 Q-PLUS CAST} Air S-Cam Type, Cast Spider, Fabricated Shoe, Double Anchor Pin, Size 16.5" X 6", 23,000-lb Capacity	33/0	33
4XEE	PARK BRAKE CHAMBERS, ADDITIONAL (2) Spring Brake Type	0/30	30
5708	STEERING COLUMN Tilting	14/1	15
5CAW	STEERING WHEEL 4-Spoke; 18" Dia., Black	0/0	0
5PTB	STEERING GEAR (2) {Sheppard M100/M80} Dual Power	101/-5	96
6DGW	DRIVELINE SYSTEM {Dana Spicer} Service Free SPL170 Main Driveline with SPL170 Interaxle Shaft, for 6x4	6/32	38
7BEV	AFTERTREATMENT COVER Steel, Black	11/2	13
7BLW	EXHAUST SYSTEM Horizontal Aftertreatment System, Frame Mounted Right Side Under Cab, for Single Vertical Tail Pipe, Frame Mounted Right Side Back of Cab	144/33	177
7SCP	ENGINE EXHAUST BRAKE for Cummins ISB/B6.7/ISL/L9 Engine with Variable Vane Turbo Charger	0/0	0
7WAZ	TAIL PIPE (1) Turnback Type	7/3	10
7WDM	EXHAUST HEIGHT 10'	19/9	28
7WDN	MUFFLER/TAIL PIPE GUARD (1) Aluminum	11/5	16
7WZY	SWITCH, FOR EXHAUST 2 Position, Lighted & Latching, On/Off Type, Mounted in IP, Inhibits Diesel Particulate Filter Regeneration as Long as Switch is in On Position	2/0	2
8000	ELECTRICAL SYSTEM 12-Volt, Standard Equipment	0/0	0

Includes

: DATA LINK CONNECTOR For Vehicle Programming and Diagnostics In Cab
: HAZARD SWITCH Push On/Push Off, Located on Instrument Panel to Right of Steering Wheel
: HEADLIGHT DIMMER SWITCH Integral with Turn Signal Lever
: PARKING LIGHT Integral with Front Turn Signal and Rear Tail Light
: STARTER SWITCH Electric, Key Operated
: STOP, TURN, TAIL & B/U LIGHTS Dual, Rear, Combination with Reflector
: TURN SIGNAL SWITCH Self-Cancelling for Trucks, Manual Cancelling for Tractors, with Lane Change Feature
: WINDSHIELD WIPER SWITCH 2-Speed with Wash and Intermittent Feature (5 Pre-Set Delays), Integral with Turn Signal Lever
: WINDSHIELD WIPERS Single Motor, Electric, Cowl Mounted
: WIRING, CHASSIS Color Coded and Continuously Numbered

<u>Code</u>	<u>Description</u>	<u>F/R Wt</u> (lbs)	<u>Tot Wt</u> (lbs)
8GXD	ALTERNATOR {Leece-Neville AV1160P2013} Brush Type, 12 Volt, 160 Amp Capacity, Pad Mount, with Remote Sense	0/0	0
8HAA	BODY BUILDER WIRING To Rear of Frame, with Stop, Tail, Turn, and Marker Lights Circuits, Ignition Controlled Auxiliary Feed and Ground, Less Trailer Socket	2/0	2
8MSG	BATTERY SYSTEM {Fleetrite} Maintenance-Free, (3) 12-Volt 1980CCA Total, Top Threaded Stud	32/21	53
8RMV	SPEAKERS (2) 6.5" Dual Cone Mounted in Doors	5/0	5
8RPB	RADIO, AUXILIARY CONTROLS Mounted in Steering Wheel, Radio Function Control Switch, Includes Volume Up/Down, Mute, Forward/Back and Bluetooth Answer/Disconnect	9/1	10
8RPR	ANTENNA for Increased Roof Clearance Applications	1/0	1
8RPS	RADIO AM/FM/WB/Clock/Bluetooth/USB Input/Auxiliary Input	3/0	3
8TPS	STOP, TURN, TAIL & B/U LIGHTS {Weldon} Multi-Function LED Lamp, Mounted Inside Rails, Includes LED License Plate Light	-2/13	11
8VAY	HORN, ELECTRIC Disc Style	0/0	0
8VUL	BATTERY BOX Steel, with Plastic Cover, 18" Wide, 2-4 Battery Capacity, Mounted Left Side Back of Cab	-33/10	-23
8WBW	JUMP START STUD Remote Mounted	2/0	2
8WDG	BACK-UP ALARM {Preco 1059} Electronic; Solid State, Dual Function, 112 dBA	0/1	1
8WPH	CLEARANCE/MARKER LIGHTS (5) {Truck Lite} Amber LED Lights, Flush Mounted on Cab or Sunshade	0/0	0
8WPZ	TEST EXTERIOR LIGHTS Pre-Trip Inspection will Cycle all Exterior Lamps Except Back-up Lights	0/0	0
8WRB	HEADLIGHTS ON W/WIPERS Headlights Will Automatically Turn on if Windshield Wipers are turned on	0/0	0
8WWJ	INDICATOR, LOW COOLANT LEVEL with Audible Alarm	0/0	0
8WXB	HEADLIGHT WARNING BUZZER Sounds When Head Light Switch is on and Ignition Switch is in "Off" Position	0/0	0
8WXD	ALARM, PARKING BRAKE Electric Horn Sounds in Repetitive Manner When Vehicle Park Brake is "NOT" Set, with Ignition "OFF" and any Door Opened	0/0	0
8WXG	STARTING MOTOR {Mitsubishi Electric Automotive America 105P} 12-Volt, with Soft-Start	10/0	10
8XAH	CIRCUIT BREAKERS Manual-Reset (Main Panel) SAE Type III with Trip Indicators, Replaces All Fuses	0/0	0
8XGT	TURN SIGNALS, FRONT Includes LED Side Turn Lights Mounted on Fender	0/0	0
8XHN	HORN, AIR Single Trumpet, Black, with Lanyard Pull Cord	3/0	3
8XNZ	HEADLIGHTS Halogen, with Daytime Running Lights	0/0	0
9AAB	LOGOS EXTERIOR Model Badges	0/0	0
9AAE	LOGOS EXTERIOR, ENGINE Badges	0/0	0
9HAD	GRILLE Chrome	0/0	0

<u>Code</u>	<u>Description</u>	<u>F/R Wt</u> (lbs)	<u>Tot Wt</u> (lbs)
9HBN	INSULATION, SPLASH PANELS for Sound Abatement	2/0	2
9WAC	BUG SCREEN Mounted Behind Grille	5/0	5
9WBM	FRONT END Tilting, Fiberglass, with Three Piece Construction, Sloped Front	-65/-5	-70
10060	PAINT SCHEMATIC, PT-1 Single Color, Design 100	0/0	0
	<u>Includes</u> : PAINT SCHEMATIC ID LETTERS "WL"		
10761	PAINT TYPE Base Coat/Clear Coat, 1-2 Tone	0/0	0
10AGB	COMMUNICATIONS MODULE Telematics Device with Over the Air Programming; Includes Five Year Data Plan and International 360	1/0	1
10BAE	LABEL, DEF "DEF ONLY"	0/0	0
10WBS	KEYS - ALL ALIKE, ADDITIONAL 2 Keys	0/0	0
10WCY	SAFETY TRIANGLES	6/0	6
10WKN	KEYS - ALL ALIKE, ID I-1624 Compatible with Z-250	0/0	0
10WWP	MUD FLAPS, FRONT WHEELS (2) Rubber, Mounted on Fender Extension, for Tire Size 425/445	3/0	3
10XAN	FIRE EXTINGUISHER 5 lb Class A B C	9/1	10
10XAP	FIRE EXTINGUISHER BRACKET Mounted Left Side Driver Seat	1/0	1
11001	CLUTCH Omit Item (Clutch & Control)	0/0	0
12703	ANTI-FREEZE Red, Extended Life Coolant; To -40 Degrees F/ -40 Degrees C, Freeze Protection	0/0	0
12EYZ	ENGINE, DIESEL {Cummins L9 360} EPA 2024, 360HP @ 2200 RPM, 1150 lb-ft Torque @ 1200 RPM, 2200 RPM Governed Speed, 359 Peak HP (Max)	580/-16	564
12THT	FAN DRIVE {Horton Drivemaster} Two-Speed Type, Direct Drive, with Residual Torque Device for Disengaged Fan Speed	0/0	0
	<u>Includes</u> : FAN Nylon		
12UAW	RADIATOR Aluminum, 2-Row, Cross Flow, Over Under System, 1045 SqIn Louvered, with 373 SqIn Charge Air Cooler, Includes In-Tank Oil Cooler	4/-7	-3
	<u>Includes</u> : DEAERATION SYSTEM with Surge Tank : HOSE CLAMPS, RADIATOR HOSES Gates Shrink Band Type; Thermoplastic Coolant Hose Clamps : RADIATOR HOSES Premium, Rubber		
12VBR	AIR CLEANER with Service Protection Element	10/0	10
12VJS	EMISSION, CALENDAR YEAR {Cummins L9} EPA, OBD and GHG Certified for Calendar Year 2024	0/0	0
12VXT	THROTTLE, HAND CONTROL Engine Speed Control; Electronic, Stationary, Variable Speed; Mounted on Steering Wheel	0/0	0
12WVG	EPA IDLE COMPLIANCE Low NOx Idle Engine, Complies with EPA Clean Air Regulations; Includes "Certified Clean Idle" Decal on Hood	0/0	0

<u>Code</u>	<u>Description</u>	<u>F/R Wt</u> (lbs)	<u>Tot Wt</u> (lbs)
12WZE	CARB IDLE COMPLIANCE Does Not Comply with California Clean Air Idle Regulations	0/0	0
12XBM	ENGINE CONTROL, REMOTE MOUNTED Provision for; Includes Wiring for Body Builder Installation of PTO Controls and Starter Lockout, with Ignition Switch Control, for Cummins B6.7 and L9 Engines	0/0	0
12XCS	CARB EMISSION WARR COMPLIANCE Does Not Comply with CARB Emission Warranty	0/0	0
13BCS	TRANSMISSION, AUTOMATIC {Allison 3000 RDS} 6th Generation Controls, Close Ratio, 6-Speed with Double Overdrive, with PTO Provision, Less Retarder, Includes Oil Level Sensor, with 80,000-lb GVW and GCW Max, On/Off Highway	232/51	283
13WET	TRANSMISSION SHIFT CONTROL Column Mounted Stalk Shifter, Not for Use with Allison 1000 & 2000 Series Transmission	1/0	1
13WLP	TRANSMISSION OIL Synthetic; 29 thru 42 Pints	0/0	0
13WUC	ALLISON SPARE INPUT/OUTPUT for Rugged Duty Series (RDS) and Regional Haul Series (RHS), General Purpose Trucks, Construction, Package Number 223	0/0	0
13WVV	NEUTRAL AT STOP Allison Transmission Shifts to Neutral When Service Brake is Depressed and Vehicle is at Stop; Remains in Neutral Until Service Brake is Released	0/0	0
13WYU	SHIFT CONTROL PARAMETERS {Allison} 3000 or 4000 Series Transmissions, Performance Programming	0/0	0
13XAA	PTO CONTROL, DASH MOUNTED For Customer Provided PTO; Includes Switch, Electric/Air Solenoid, Piping and Wiring	3/0	3
13XAL	PTO LOCATION Customer Intends to Install PTO at Left Side of Transmission	0/0	0
14GVN	AXLE, REAR, TANDEM {Meritor MT-40-14X-4DCR} Single Reduction, 40,000-lb Capacity, .433"(11mm) Wall Housing Thickness, Driver Controlled Locking Differential in Forward-Rear and Rear-Rear Axle, R Wheel Ends . Gear Ratio: 5.29	0/2127	2127
14UHC	SUSPENSION, REAR, TANDEM {Hendrickson RT-403} Walking Beam, 40,000-lb Capacity, 52" Axle Spacing, Multileaf Springs, with Rubber Center Bushings	0/923	923
14WMJ	AXLE, REAR, LUBE {EmGard FE-75W-90} Synthetic Oil; 50 thru 64.99 Pints	0/0	0
15LNR	FUEL/WATER SEPARATOR {Racor 400 Series} with Primer Pump, Includes Water-in-Fuel Sensor, Mounted on Engine	0/0	0
15SGG	FUEL TANK Top Draw, Non-Polished Aluminum, D-Style, 19" Tank Depth, 70 US Gal (265L), Mounted Left Side, Under Cab	11/6	17
15WDG	DEF TANK 7 US Gal (26L) Capacity, Frame Mounted Outside Left Rail, Under Cab	0/0	0
16030	CAB Conventional, Day Cab	0/0	0
16BAM	AIR CONDITIONER with Integral Heater and Defroster	0/0	0
16GEG	GUAGE CLUSTER Premium Level; English with English Electronic Speedometer	0/0	0
	<u>Includes</u> : GAUGE CLUSTER DISPLAY: Base Level (3" Monochromatic Display), Premium Level (5" LCD Color Display); Odometer, Voltmeter, Diagnostic Messages, Gear Indicator, Trip Odometer, Total Engine Hours, Trip Hours, MPG, Distance to Empty/ Refill for : GAUGE CLUSTER Speedometer, Tachometer, Engine Coolant Temp, Fuel Gauge, DEF Gauge, Oil Pressure Gauge, Primary and Secondary Air Pressure		

<u>Code</u>	<u>Description</u>	<u>F/R Wt</u> (lbs)	<u>Tot Wt</u> (lbs)
	: WARNING SYSTEM Low Fuel, Low DEF, Low Oil Pressure, High Engine Coolant Temp, Low Battery Voltage (Visual and Audible), Low Air Pressure (Primary and Secondary)		
16GHU	GRAB HANDLE, CAB INTERIOR (2) Safety Yellow	0/0	0
16HCH	SEATBELT WARNING LIGHT IND. Mounted in Dash, Will Flash when Park Brake is Disengaged and Driver Seatbelt Unfastened, Audible Alarm to Remind Driver to Fasten Seatbelt	0/0	0
16HKT	IP CLUSTER DISPLAY On Board Diagnostics Display of Fault Codes in Gauge Cluster	0/0	0
16JNT	SEAT, DRIVER {National 2000} Air Suspension, High Back with Integral Headrest, Vinyl, Isolator, 1 Chamber Lumbar, with 2 Position Front Cushion Adjust, -3 to +14 Degree Angle Back Adjust	0/0	0
16SGH	GRAB HANDLE, EXTERIOR (2) Chrome, for Cab Entry, (1) Towel Bar Type, with Anti-Slip Rubber Inserts Mounted Left Side at B-Pillar, (1) Towel Bar Type Mounted Right Side on Vertical Exhaust	5/1	6
16SMN	SEAT, PASSENGER {National} Non Suspension, High Back, Fixed Back, Integral Headrest, Vinyl	17/6	23
16SNL	MIRRORS (2) C-Loop, Black Heads and Arms, 7.5" x 14" Flat Glass, Includes 7.5" x 7" Convex Mirrors, for 102" Load Width	0/0	0
	<u>Notes</u> : Mirror Dimensions are Rounded to the Nearest 0.5"		
16VCC	SEAT BELT All Orange; 1 to 3	0/0	0
16VKB	CAB INTERIOR TRIM Classic, for Day Cab	0/0	0
	<u>Includes</u> : CONSOLE, OVERHEAD Molded Plastic with Dual Storage Pockets, Retainer Nets and CB Radio Pocket; Located Above Driver and Passenger : DOME LIGHT, CAB Door Activated and Push On-Off at Light Lens, Timed Theater Dimming, Integral to Overhead Console, Center Mounted : SUN VISOR (2) Padded Vinyl; 2 Moveable (Front-to-Side) Primary Visors, Driver Side with Toll Ticket Strap		
16VLV	MONITOR, TIRE PRESSURE Omit	-10/-1	-11
16WBY	ARM REST, RIGHT, DRIVER SEAT	3/0	3
16WJU	WINDOW, POWER (2) and Power Door Locks, Left and Right Doors, Includes Express Down Feature	0/0	0
16WLS	FRESH AIR FILTER Attached to Air Intake Cover on Cowl Tray in Front of Windshield Under Hood	0/0	0
16WSK	CAB REAR SUSPENSION Air Bag Type	0/0	0
16XJN	INSTRUMENT PANEL Flat Panel	0/0	0
16ZBT	ACCESS, CAB Steel, Driver & Passenger Sides, Two Steps per Door, for use with Day Cab and Extended Cab	0/0	0
27DUL	WHEELS, FRONT {Accuride 29300} DISC; 22.5x9.00 Rims, Powder Coat Steel, 5-Hand Hole, 10-Stud, 285.75mm BC, Hub-Piloted, Flanged Nut, with Steel Hubs	72/0	72
28DJM	WHEELS, REAR {Maxion 91541} DUAL DISC; 22.5x8.25 Rims, Painted Steel, 2-Hand Hole, 10-Stud, 285.75mm BC, Hub-Piloted, Flanged Nut, with Steel Hubs	0/-48	-48

INTERNATIONAL®**Vehicle Specifications**
2025 HV607 SBA (HV607)**November 02, 2023**

<u>Code</u>	<u>Description</u>	<u>F/R Wt</u> (lbs)	<u>Tot Wt</u> (lbs)
29ACD	TIRE VALVE CAP Flo-Thru Design	0/0	0
29PAS	PAINT IDENTITY, REAR WHEELS Disc Rear Wheels; with Vendor Applied White Powder Coat Paint	0/0	0
29WLK	WHEEL BEARING, FRONT, LUBE {EmGard FE-75W-90} Synthetic Oil	0/0	0
60AAA	BDY INTG, REMOTE POWER MODULE Mounted Under Cab or On Battery Box, Up to 6 Outputs & 6 Inputs, Max 20 amp per Channel, Max 80 amp Total; Includes 1 Switch Pack with Latched Switches	0/0	0
7372135432	(8) TIRE, REAR 11R22.5 Load Range G HDL2 (CONTINENTAL), 493 rev/mile, 75 MPH, Drive	0/-8	-8
7792545437	(2) TIRE, FRONT 315/80R22.5 Load Range L HAU 3 WT (CONTINENTAL), 480 rev/mile, 68 MPH, All-Position Cab schematic 100WL Location 1: 9219, Winter White (Std) Chassis schematic N/A	62/0	62
Services Section:			
40128	WARRANTY Standard for HV507, HV50B, HV607 Models, Effective with Vehicles Built July 1, 2017 or Later, CTS-2025A	0/0	0
Total Component Weight:		8341/7336 (lbs)	15677 (lbs)
1	Amthor Prop 3595, 4,000 Gallon Water Truck. \$95,175 plus \$2K freight	0/0	0
2	Steel Tank ILO Aluminum	0/0	0
3	Body backup camera	0/0	0
Total Body Allied:		0/0 (lbs)	0 (lbs)

The weight calculations included in this proposal are an estimate of future vehicle weight. The actual weight as manufactured may be different from the estimated weight. Navistar, Inc. shall not be liable for any consequences resulting from any differences between the estimated weight of a vehicle and the actual weight.

INTERNATIONAL®**Financial Summary**
2025 HV607 SBA (HV607)**November 02, 2023**

<u>Description</u>	(US DOLLAR)	<u>Price</u>
Net Sales Price:		\$226,923.00

Please feel free to contact me regarding these specifications should your interests or needs change. I am confident you will be pleased with the quality and service of an International vehicle.

In accordance with Florida Sheriffs Association (FSA) contract FSA-23-VEH21.0 valid for PO's issued between 10/1/23 and 9/30/24 with vehicle built by 12/31/2024.

Purchase Orders placed for this specification should include a reference as follows in accordance with the Florida Sheriff's Association Terms: "FSA23-VEH21.0 Item# 61 & selected options, per Proposal 11534"

NOTE: Production is limited for this model and cannot be guaranteed in 2024. If allocation is available, production would be expected in Q2 or Q3, 2024 with delivery within 90 days of production.

2025 International HV607 6x42: 11534.	\$127,736.00	Per FSA Item #61 with selected options, proposal
Amthor 4,000 Gallon Water Tank Body: options.	\$101,337.00	Per FSA body option Amthor-3595 from Item# 61
Non-Contract Body Option, Steel Tank ILO Aluminum:	(\$4,000.00)	Deduct
Non-Contract Body Option, Add Backup Camera:	\$1,850.00	Add

Subtotal: \$226,923.00

Florida State Sales Tax: N/A
 Hillsborough County Surtax: N/A
 Florida Tire & Battery Fee: Included
 Florida County Tag: N/A MSO only for self-titling

Total per unit: \$226,923.00



CV515 SFA

Sales Proposal For:

PINELLAS COUNTY

Presented By:

SUN STATE INTL TRKS, LLC

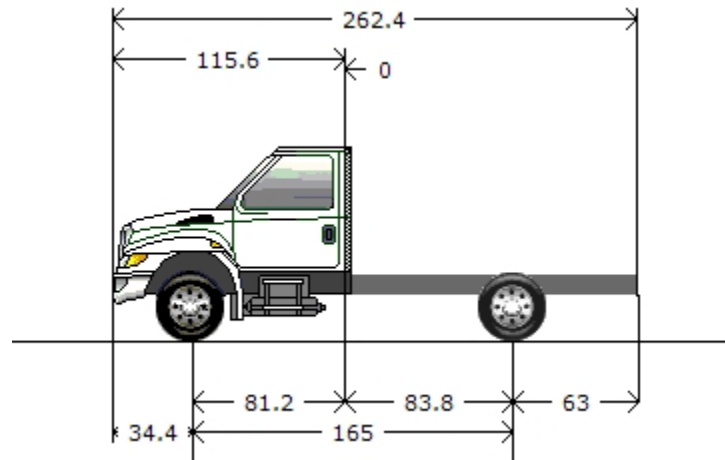
Prepared For:

PINELLAS COUNTY
 Greg Herremans
 9685 Ulmerton Rd.
 Largo, FL 33771-3699
 (727)582 - 3007
 Reference ID: FSA23-VEH21.0

Presented By:

SUN STATE INTL TRKS, LLC
 Christopher Harris
 6020 ADAMO DRIVE
 TAMPA FL 33619 -
 (813)621-1331

Thank you for the opportunity to provide you with the following quotation on a new International truck. I am sure the following detailed specification will meet your operational requirements, and I look forward to serving your business needs.



Model Profile
2022 CV515 SFA (CV515)

AXLE CONFIG:	4X2
APPLICATION:	Stake Flat
MISSION:	Requested GVWR: 19500. Calc. GVWR: 19500. Calc. GCWR: 37000 Calc. Start / Grade Ability: 43.22% / 3.34% @ 55 MPH Calc. Geared Speed: 102.5 MPH
DIMENSION:	Wheelbase: 165.00, CA: 83.80, Axle to Frame: 63.00
ENGINE, DIESEL:	{International 6.6} EPA 2021, 350HP @ 2700 RPM, 700 lb-ft Torque @ 1600 RPM, 2900 RPM Governed Speed, 350 Peak HP (Max)
TRANSMISSION, AUTOMATIC:	{Allison 1750 RDS} 6th Generation Controls, Close Ratio, 6-Speed with Double Overdrive, with PTO Provision, Less Retarder, Includes Park Pawl, with 19,500-lb GVW and 37,500-lb GCW Max, On/Off Highway
AXLE, FRONT NON-DRIVING:	{Dana Spicer D-800N} I-Beam Type, 7,000-lb Capacity
AXLE, REAR, SINGLE:	{Dana Spicer S16-130} Single Reduction, 15,000-lb Capacity, 190 Wheel Ends Gear Ratio: 4.30
CAB:	Conventional, Day Cab
TIRE, FRONT:	(2) 225/70R19.5 Load Range G HYBRID HS3 (CONTINENTAL), 649 rev/mile, 87 MPH, All- Position
TIRE, REAR:	(4) 225/70R19.5 Load Range G HYBRID HD3 (CONTINENTAL), 647 rev/mile, 87 MPH, Drive
SUSPENSION, REAR, AIR, SINGLE:	{International IROS} 13,500-lb Capacity, 5.3" Ride Height, with Shock Absorbers
PAINT:	Cab schematic 100CX Location 1: 9219, Winter White (Std) Chassis schematic N/A

<u>Code</u>	<u>Description</u>	<u>F/R Wt</u> (lbs)	<u>Tot Wt</u> (lbs)
CV51500	Base Chassis, Model CV515 SFA with 165.00 Wheelbase, 83.80 CA, and 63.00 Axle to Frame.	4671/2886	7557
1570	TOW HOOK, FRONT (2) Frame Mounted	13/-1	12
1ANA	AXLE CONFIGURATION {Navistar} 4x2	0/0	0
	<u>Notes</u> : Pricing may change if axle configuration is changed.		
1CGH	FRAME RAILS High Strength Low Alloy Steel (50,000 PSI Yield), Straight Top Flange with Contoured Bottom, Height Transitions from 7.375" (187.325mm) to 9.125" (231.775mm) to 7.625" (193.675mm); Width: 3.079" (78.21mm); Thickness: 0.3125" (7.94mm); 383.3" (9735.8mm) Max OAL	28/78	106
1LEG	LICENSE PLATE HOLDER Includes Upper & Lower Mounting Plate Hardware, Mounted in Existing Holes in Front Bumper	2/0	2
1LRZ	BUMPER, FRONT Contoured, Steel, Painted Black	0/0	0
1WEB	WHEELBASE RANGE 128" (325cm) Through and Including 183" (465cm)	0/0	0
1WND	AF RANGE 50" (128cm) Through and Including 75" (190cm)	0/0	0
2AJK	AXLE, FRONT NON-DRIVING {Dana Spicer D-800N} I-Beam Type, 7,000-lb Capacity	0/0	0
3AGN	SUSPENSION, FRONT, SPRING Parabolic Taper Leaf, Shackle Type, 7,000-lb Capacity, with Shock Absorbers	24/0	24
3WAP	STABILIZER BAR, FRONT	50/0	50
4240	BRAKE SYSTEM, HYDRAULIC {Bosch} Split System, with Four Channel ABS, Traction Control, Electronic Stability Control, Hydromax Brake Booster with High Speed Master Cylinder and Trailer Sway Control	0/0	0
4EBD	AIR DRYER {Wabco System Saver 1200} with Heater	16/-1	15
4EVD	DUST SHIELDS, FRONT BRAKE for Hydraulic Brakes	0/0	0
4EVE	DUST SHIELDS, REAR BRAKE for Hydraulic Brakes	0/0	0
4GBJ	BRAKE, PARKING {Bosch} DSSA Type, 12" x 3"; for Hydraulic Brake Chassis; Foot Operated in Cab; Differential Mounted	0/0	0
4SBX	AIR COMPRESSOR 7.1 CFM, with Clutch	83/-4	79
4VGA	AIR DRYER LOCATION Mounted Outside Right Rail, Forward of Front Wheel	0/0	0
4VKM	AIR TANK LOCATION (1) Mounted Outside Left Rail, Perpendicular to Rail, Behind Battery Box	13/7	20
4XCU	BRAKES, FRONT {Meritor Quadraulic} Hydraulic Disc Type, with Four 64mm Diameter Pistons, 8,000-lb Capacity	0/0	0
4XCV	BRAKES, REAR {Meritor Quadraulic} Hydraulic Disc Type, with Four 64mm Diameter Pistons, 15,500-lb Capacity per Axle	0/0	0
5708	STEERING COLUMN Tilting	0/0	0
5CBG	STEERING WHEEL 4-Spoke; 15" Dia., Black	0/0	0
5PSS	STEERING GEAR {Bosch S2 8014 Plus} Power	0/0	0
6DGA	DRIVELINE SYSTEM {Dana Spicer} SPL100, for 4x2/6x2	0/0	0

INTERNATIONAL®**Vehicle Specifications**
2022 CV515 SFA (CV515)**October 04, 2023**

<u>Code</u>	<u>Description</u>	<u>F/R Wt</u> (lbs)	<u>Tot Wt</u> (lbs)
7BLL	EXHAUST SYSTEM Horizontal, Frame Mounted Right Side, Under Rail, for Single Exhaust	-13/-15	-28
7SDS	ENGINE EXHAUST BRAKE for International 6.6 Engine	0/0	0
7XAA	MANUAL REGEN Capability	0/0	0
8002	ELECTRICAL SYSTEM 12-Volt for CV Model	0/0	0
	<u>Includes</u> : HAZARD SWITCH Push On/Push Off, Located on Top of Steering Column Cover : HEADLIGHT DIMMER SWITCH Integral with Turn Signal Lever : PARKING LIGHT PARKING LIGHT Integral with Front Turn Signal and Rear Tail Light : TURN SIGNALS, FRONT Includes Reflectors and Solid State Flashers; Flush Mounted : WINDSHIELD WIPER SWITCH 2-Speed with Wash and Intermittent Feature, Integral with Turn Signal Lever		
8541	HORN, ELECTRIC (2) Disc Style	2/0	2
8GJA	ALTERNATOR {Denso SC2} Brush Type, 12 Volt, 150 Amp Capacity	0/0	0
8HBW	TRAILER BRAKE CONTROL Integrated	13/6	19
8HXV	BODY BUILDER WIRING Back of Day Cab at Left Frame or Under Crew Cab at Left Frame; Includes One Sealed Connector for Separate Ground/Backup/Left and Right Hand Turn, Left and Right Hand Tail/Stop/Accessory Power and Combined for Left and Right Hand Stop/Turn	0/3	3
8MWA	BATTERY SYSTEM {VARTA} Maintenance-Free, (2) 12-Volt 1300CCA Total, Top Threaded Stud	0/0	0
8RNU	SPEAKERS (6)	2/0	2
8RNV	RADIO AM/FM/Clock/Bluetooth, Seek/Scan, with 7" Color Touch Panel Display, Satellite Radio Compatible	2/0	2
8RNY	CAMERA SYSTEM, REAR VIEW Includes Camera, Mounting, Wiring and Interface to the Monitor, for the Back-up Camera System	0/2	2
8TRA	TRAILER CONNECTION SOCKET Mounted at Rear of Frame, Wired for Turn Signals Combined with Stop, Compatible with Trailers with Combined Stop, Tail, Turn Lamps	-3/9	6
8TUL	STOP, TURN, TAIL & B/U LIGHTS Multi-Function, Sealed, Incandescent Stop, Turn and Tail Lights, Backup Lights with Rear Reflex Reflector, Includes License Plate Light	0/0	0
8TVV	SPECIAL WIRING HARNESS, BODY to Connect to Instrument Panel Electrical Center (ICEM) Connector X7, Provides Blunt Cuts for Standard Terminals 8, 11, 7, 17, 10, 19 Signals, Optional Terminals 1, 4, 14, 20 Signals	0/0	0
8VVB	BATTERY BOX Steel, with Plastic Cover, 2 Battery Capacity, Parallel to Rail, 28" Wide, Mounted Left Side Under Cab	0/0	0
8WBW	JUMP START STUD Remote Mounted	3/0	3
8XJN	HEADLIGHTS Halogen, Composite Aero Design, Black Trim Bezel, with Daytime Running Lights	0/0	0
8XJP	SWITCH, AUXILIARY 1 to 4 Latching Switches with 30-Amp Fuses	0/0	0
8XJV	CLEARANCE/MARKER LIGHTS (5) Amber LED Lights, Flush Mounted on Cab	0/0	0

<u>Code</u>	<u>Description</u>	<u>F/R Wt</u> (lbs 0/0	<u>Tot Wt</u> (lbs 0
8XJW	STARTING MOTOR 12 Volt	0/0	0
9AAB	LOGOS EXTERIOR Model Badges	0/0	0
9HBZ	GRILLE Molded in Dark Gray	0/0	0
9HCU	RADIATOR STONE GUARD Mounted to Front Bumper	4/0	4
9WAC	BUG SCREEN Mounted Behind Grille	0/0	0
9WAY	FRONT END Tilting, Fiberglass, with Three Piece Construction	0/0	0
9WBN	FENDER EXTENSIONS Painted	0/0	0
10060	PAINT SCHEMATIC, PT-1 Single Color, Design 100	0/0	0
10761	PAINT TYPE Base Coat/Clear Coat, 1-2 Tone	0/0	0
10WGE	SPECIAL RATING, GVWR Limited to 19,500-lb GVWR	0/0	0
10XAW	GVWR WEIGHT CLASSIFICATION Class 5 (16,001-19,500 lbs)	0/0	0
12GAG	ENGINE, DIESEL {International 6.6} EPA 2021, 350HP @ 2700 RPM, 700 lb-ft Torque @ 1600 RPM, 2900 RPM Governed Speed, 350 Peak HP (Max)	0/0	0
	<u>Includes</u> : GLOW PLUG Automatic with Indicator Light : OIL FILTER, ENGINE Spin-On Type		
12TTM	FAN DRIVE Viscous Type, Screw On, Rear Tether, Electronically Controlled	0/0	0
12VGC	AIR CLEANER Single Element, with Water Separator	0/0	0
12VJP	EMISSION, CALENDAR YEAR {International 6.6} EPA, OBD and GHG Certified for Calendar Year 2023	0/0	0
12WGG	THROTTLE, HAND CONTROL Engine Speed Control for PTO; Electronic Controlled, On/Off Switch Mounted on Dash, with Steering Wheel Button Control	0/0	0
12WUU	GOVERNOR Electronic Road Speed Type; with 75 MPH Default	0/0	0
12WZJ	CARB IDLE COMPLIANCE Low NOx Idle Engine, Complies with California Clean Air Regulations; Includes "Certified Clean Idle" Decal located on Driver Door	0/0	0
12XBL	BLOCK HEATER, ENGINE 120V/800W	0/0	0
12XCU	CARB EMISSION WARR COMPLIANCE for International 6.6 Engines	0/0	0
12XZD	RADIATOR Aluminum, 3-Row, Down Flow, Front to Back System, 730 SqIn Louvered, with 578 SqIn Charge Air Cooler, Includes In-Tank Oil Cooler	0/0	0
13BAR	TRANSMISSION, AUTOMATIC {Allison 1750 RDS} 6th Generation Controls, Close Ratio, 6-Speed with Double Overdrive, with PTO Provision, Less Retarder, Includes Park Pawl, with 19,500-lb GVW and 37,500-lb GCW Max, On/Off Highway	0/0	0
13WGB	TRANSMISSION FEATURE EFFECTS for Allison, Disable Engine Shutdown When in PTO Mode, for Utility Bucket Lift Applications	0/0	0
13WVV	NEUTRAL AT STOP Allison Transmission Shifts to Neutral When Service Brake is Depressed and Vehicle is at Stop; Remains in Neutral Until Service Brake is Released	0/0	0
13WYY	SHIFT CONTROL PARAMETERS {Allison} 1000 or 2000 Series Transmissions, Performance Programming	0/0	0

INTERNATIONAL®**Vehicle Specifications**
2022 CV515 SFA (CV515)**October 04, 2023**

<u>Code</u>	<u>Description</u>	<u>F/R Wt</u> (lbs)	<u>Tot Wt</u> (lbs)
13XAM	PTO LOCATION Dual, Customer Intends to Install PTO at Left and/or Right Side of Transmission	0/0	0
14899	SUSPENSION AIR CONTROL VALVE Pressure Release Control In Cab	4/4	8
14AWG	AXLE, REAR, SINGLE {Dana Spicer S16-130} Single Reduction, 15,000-lb Capacity, 190 Wheel Ends . Gear Ratio: 4.30	0/12	12
14TDG	SUSPENSION, REAR, AIR, SINGLE {International IROS} 13,500-lb Capacity, 5.3" Ride Height, with Shock Absorbers	0/79	79
14WMN	AXLE, REAR, LUBE {EmGard FE-75W-90} Synthetic Oil; 1 thru 29.99 Pints	0/0	0
15SZN	FUEL TANK Top Draw, Plastic, Rectangular, 17" Tank Depth, 40 US Gal (151L), Includes Auxiliary Draw Port and Fuel Filler Assembly, Mounted Between Frame Rails and Behind Rear Axle	0/0	0
15WDZ	DEF TANK 6.75 US Gal (26L) Capacity, Frame Mounted Outside Right Rail, Under Cab	0/0	0
16030	CAB Conventional, Day Cab <u>Includes</u> : CAB DOOR LOCKS Power Door Locks All Doors : DOME LIGHT, CAB with OFF/DOOR/ON Settings; Located in Overhead Console : READING LIGHT, CAB Located in Overhead Console : STEP (2) One Per Door : STORAGE POCKET, DOOR (2) Full Length, Driver and Passenger Door	0/0	0
16ACA	MIRROR, INSIDE REAR VIEW Omit	0/0	0
16BBA	GLASS, ALL WINDOWS Solar Absorbing, Tint	0/0	0
16CEM	COLOR, INTERIOR Dark Ash	0/0	0
16HCT	GAUGE CLUSTER English Speedometer, Includes English Odometer; Includes 3.5" Monochromatic Display with Personalization, Warning Messages and Vehicle Information	0/0	0
16KVS	SEAT, DRIVER High Back with Integral Headrest, with Recline, Vinyl, Fixed Lumbar	0/0	0
16LVR	SEAT, TWO-MAN PASSENGER High Back with Integral Headrest in Outboard Position, Center Fold-Down Armrest with Storage, Vinyl, with Recline	0/0	0
16SPS	MIRRORS (2) Manual Folding and Extending, Power Adjust, Heated, Turn Signal Indicator Located in Mirror, Black Heads and Arms, for 96" Load Width	5/0	5
16VCC	SEAT BELT All Orange; 1 to 3	0/0	0
16VKB	CAB INTERIOR TRIM Classic, for Day Cab <u>Includes</u> : SUN VISOR (2) Vinyl	0/0	0
16WAK	WINDOW, POWER (2) in Left and Right Doors	0/0	0
16XCP	AIR BAG, FRONT, DRIVER SIDE	0/0	0
16XCR	AIR BAG, FRONT, PASSENGER SIDE	0/0	0
16XDE	AIR BAG, SIDE, DRIVER Seat Mounted, Outboard Side-Impact Airbag	0/0	0
16XDG	AIR BAG, SIDE, PASSENGER Seat Mounted, Outboard Side-Impact Airbag	0/0	0

<u>Code</u>	<u>Description</u>	<u>F/R Wt</u> (lbs)	<u>Tot Wt</u> (lbs)
16XDH	AIR BAG, SIDE CURTAIN Roof Mounted, for Front and Rear Outboard Seating Positions for Driver and Passenger Sides	0/0	0
16XZA	AIR CONDITIONER with Heater, Single Zone	0/0	0
27DTX	WHEELS, FRONT {Accuride 50180} DISC; 19.5x6.75 Rims, Powder Coat Steel, 4-Hand Hole, 8-Stud, 275mm BC, Hub-Piloted, Flanged Nut, with Steel Hubs	0/0	0
28DTX	WHEELS, REAR {Accuride 50180} DUAL DISC; 19.5x6.75 Rims, Powder Coat Steel, 4-Hand Hole, 8-Stud, 275mm BC, Hub-Piloted, Flanged Nut, with Steel Hubs	0/0	0
29ACD	TIRE VALVE CAP Flo-Thru Design	0/0	0
29SAE	WHEEL SEALS, FRONT {Chicago Rawhide Nitrile} for Oil Lubricated Wheel Bearings	0/0	0
29WLK	WHEEL BEARING, FRONT, LUBE {EmGard FE-75W-90} Synthetic Oil	0/0	0
7779445428	(4) TIRE, REAR 225/70R19.5 Load Range G HYBRID HD3 (CONTINENTAL), 647 rev/mile, 87 MPH, Drive	0/16	16
7779445433	(2) TIRE, FRONT 225/70R19.5 Load Range G HYBRID HS3 (CONTINENTAL), 649 rev/mile, 87 MPH, All-Position	0/0	0
OBD001	GCWR RANGE Not required Cab schematic 100CX Location 1: 9219, Winter White (Std) Chassis schematic N/A	0/0	0
	Services Section:		
40131	WARRANTY Standard for CV515, Effective with Vehicles Built December 3, 2018 or Later, CTS-3000A	0/0	0
	Total Component Weight:	4919/3081 (lbs)	8000 (lbs)
1	Tampa Crane: STAHL CST 134 CRANE BODY	0/0	0
	Total Body Allied:	0/0 (lbs)	0 (lbs)

The weight calculations included in this proposal are an estimate of future vehicle weight. The actual weight as manufactured may be different from the estimated weight. Navistar, Inc. shall not be liable for any consequences resulting from any differences between the estimated weight of a vehicle and the actual weight.

INTERNATIONAL®**Financial Summary**
2022 CV515 SFA (CV515)**October 04, 2023**

<u>Description</u>	(US DOLLAR)	<u>Price</u>
Net Sales Price:		\$132,579.00

Please feel free to contact me regarding these specifications should your interests or needs change. I am confident you will be pleased with the quality and service of an International vehicle.

In accordance with Florida Sheriffs Association (FSA) contract FSA23-VEH21.0 for 10/1/23 thru 9/31/24 orders (2024 calendar year production).

2022-2023 International CV515 4x2:	\$72,328.00	
Item 27 Body Option TC44-1314:	\$60,251.00	Tampa Crane Service Crane Body

Subtotal: \$132,579.00

Florida State Sales Tax: N/A
 Hillsborough County Surtax: N/A
 Florida Tire & Battery Fee: Included
 Florida County Tag: Included

Total: \$132,579.00 Per Unit.

Total for (2) Units with delivery expected in January, 2024 = \$265,158.00



HV607 SBA

Sales Proposal For:

PINELLAS COUNTY

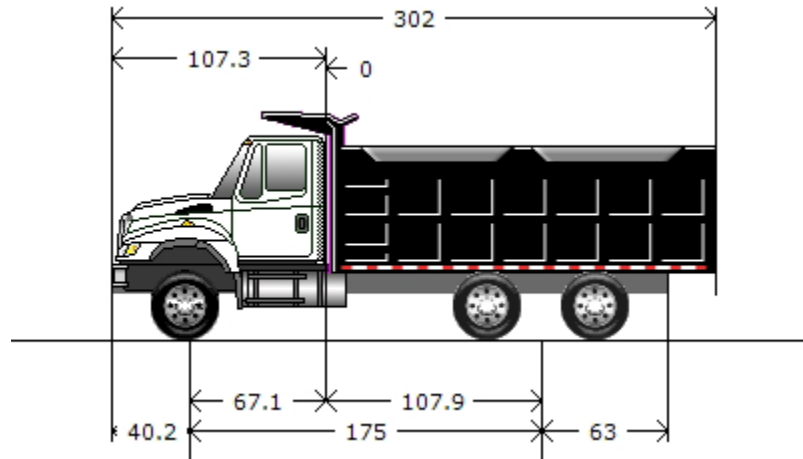
Presented By:

SUN STATE INTL TRKS, LLC

Prepared For:
 PINELLAS COUNTY
 Greg Herremans
 9685 Ulmerton Rd.
 Largo, FL 33771-3699
 (727)582 - 3007
 Reference ID: Item 61

Presented By:
 SUN STATE INTL TRKS, LLC
 David Metcalf
 6020 ADAMO DRIVE
 TAMPA FL 33619 -
 (813)621-1331

Thank you for the opportunity to provide you with the following quotation on a new International truck. I am sure the following detailed specification will meet your operational requirements, and I look forward to serving your business needs.



Model Profile
2025 HV607 SBA (HV607)

AXLE CONFIG:	6X4
APPLICATION:	Flat Dump
MISSION:	Requested GVWR: 64000. Calc. GVWR: 65220. Calc. GCWR: 80000 Calc. Start / Grade Ability: 17.81% / 2.03% @ 55 MPH Calc. Geared Speed: 76.6 MPH
DIMENSION:	Wheelbase: 175.00, CA: 107.90, Axle to Frame: 63.00
ENGINE, DIESEL:	{Cummins L9 360} EPA 2024, 360HP @ 2200 RPM, 1150 lb-ft Torque @ 1200 RPM, 2200 RPM Governed Speed, 359 Peak HP (Max)
TRANSMISSION, AUTOMATIC:	{Allison 3000 RDS} 6th Generation Controls, Close Ratio, 6-Speed with Double Overdrive, with PTO Provision, Less Retarder, Includes Oil Level Sensor, with 80,000-lb GVW and GCW Max, On/Off Highway
CLUTCH:	Omit Item (Clutch & Control)
AXLE, FRONT NON-DRIVING:	{Meritor MFS-20-133A} Wide Track, I-Beam Type, 20,000-lb Capacity
AXLE, REAR, TANDEM:	{Meritor RT-46-164P} Single Reduction, Standard Width, 46,000-lb Capacity, with Lube Oil Pump, Driver Controlled Locking Differential in Forward-Rear and Rear-Rear Axle, 200 Wheel Ends Gear Ratio: 5.38
CAB:	Conventional, Day Cab
TIRE, FRONT:	(2) 385/65R22.5 Load Range L HAC 3 (CONTINENTAL), 479 rev/mile, 68 MPH, All-Position
TIRE, REAR:	(8) 11R22.5 Load Range G HDL2 (CONTINENTAL), 493 rev/mile, 75 MPH, Drive
SUSPENSION, REAR, TANDEM:	{Hendrickson RT-463} Walking Beam, 46,000-lb Capacity, 54" Axle Spacing, Multileaf Springs, with Bronze Center Bushings
PAINT:	Cab schematic 100WL Location 1: 9219, Winter White (Std) Chassis schematic N/A

<u>Code</u>	<u>Description</u>	<u>F/R Wt</u> (lbs)	<u>Tot Wt</u> (lbs)
HV60700	Base Chassis, Model HV607 SBA with 175.00 Wheelbase, 107.90 CA, and 63.00 Axle to Frame.	6136/3644	9780
1570	TOW HOOK, FRONT (2) Frame Mounted	8/0	8
1AND	AXLE CONFIGURATION {Navistar} 6x4	158/109	267
	<u>Notes</u> : Pricing may change if axle configuration is changed.		
1CAJ	FRAME RAILS Heat Treated Alloy Steel (120,000 PSI Yield); 10.866" x 3.622" x 0.437" (276.0mm x 92.0mm x 11.1mm); 456.0" (11582mm) Maximum OAL	141/332	473
1LLD	BUMPER, FRONT Contoured, Steel	-10/2	-8
1MEJ	FRAME DIMPLE Dimple on Left and Right Top Flange of Frame Rail to Reference Rear Axle Centerline	0/0	0
1WGX	WHEELBASE RANGE 169" (430cm) Through and Including 219" (555cm)	172/-172	0
1WMS	BUMPER EXTENSION, FRONT 2.0"	3/0	3
2ARY	AXLE, FRONT NON-DRIVING {Meritor MFS-20-133A} Wide Track, I-Beam Type, 20,000-lb Capacity	186/0	186
3AGA	SUSPENSION, FRONT, SPRING Parabolic Taper Leaf, Shackle Type, 20,000-lb Capacity, with Shock Absorbers	58/0	58
4091	BRAKE SYSTEM, AIR Dual System for Straight Truck Applications	0/0	0
	<u>Includes</u> : BRAKE LINES Color and Size Coded Nylon : DRAIN VALVE Twist-Type : GAUGE, AIR PRESSURE (2) Air 1 and Air 2 Gauges; Located in Instrument Cluster : PARKING BRAKE CONTROL Yellow Knob, Located on Instrument Panel : PARKING BRAKE VALVE For Truck : QUICK RELEASE VALVE On Rear Axle for Spring Brake Release: 1 for 4x2, 2 for 6x4 : SPRING BRAKE MODULATOR VALVE R-7 for 4x2, SR-7 with relay valve for 6x4/8x6		
4619	TRAILER CONNECTIONS Four-Wheel, with Hand Control Valve and Tractor Protection Valve, for Straight Truck	2/0	2
	<u>Notes</u> : When electronic stability control is ordered with trailer connections on a 4x2 truck, please check the operator manual for trailer weight restrictions.		
4732	DRAIN VALVE {Berg} with Pull Chain, for Air Tank	0/0	0
4AZA	AIR BRAKE ABS {Bendix AntiLock Brake System} 4-Channel (4 Sensor/4 Modulator) Full Vehicle Wheel Control System	0/0	0
4EBD	AIR DRYER {Wabco System Saver 1200} with Heater	7/4	11
4EXU	BRAKE CHAMBERS, REAR AXLE {Bendix EverSure} 30/30 SqIn Spring Brake	0/14	14
4EXV	BRAKE CHAMBERS, FRONT AXLE {Bendix} 24 SqIn	4/0	4
4GBM	BRAKE, PARKING Manual Push-Pull Pneumatic Parking Brake	1/0	1
4LAA	SLACK ADJUSTERS, FRONT {Haldex} Automatic	14/0	14
4LGA	SLACK ADJUSTERS, REAR {Haldex} Automatic	0/32	32

INTERNATIONAL®**Vehicle Specifications**
2025 HV607 SBA (HV607)**October 27, 2023**

<u>Code</u>	<u>Description</u>	<u>F/R Wt</u> (lbs)	<u>Tot Wt</u> (lbs)
4SPA	AIR COMPRESSOR {Cummins} 18.7 CFM	0/0	0
4VKC	AIR DRYER LOCATION Mounted Inside Left Rail, Back of Cab	13/8	21
4VKJ	AIR TANK LOCATION (2) Mounted Under Battery Box, Outside Left Rail, Back of Cab, Perpendicular to Rail	-18/25	7
4WBX	DUST SHIELDS, FRONT BRAKE for Air Cam Brakes	10/0	10
4WDM	DUST SHIELDS, REAR BRAKE for Air Cam Brakes	0/20	20
4XDR	BRAKES, REAR {Meritor 16.5X7 Q-PLUS CAST} Air S-Cam Type, Cast Spider, Fabricated Shoe, Double Anchor Pin, Size 16.5" X 7", 23,000-lb Capacity per Axle	0/104	104
4XDT	BRAKES, FRONT {Meritor 16.5X6 Q-PLUS CAST} Air S-Cam Type, Cast Spider, Fabricated Shoe, Double Anchor Pin, Size 16.5" X 6", 23,000-lb Capacity	33/0	33
4XEE	PARK BRAKE CHAMBERS, ADDITIONAL (2) Spring Brake Type	0/30	30
5708	STEERING COLUMN Tilting	14/1	15
5CAW	STEERING WHEEL 4-Spoke; 18" Dia., Black	0/0	0
5PTB	STEERING GEAR (2) {Sheppard M100/M80} Dual Power	103/-7	96
6DGW	DRIVELINE SYSTEM {Dana Spicer} Service Free SPL170 Main Driveline with SPL170 Interaxle Shaft, for 6x4	8/30	38
7BEV	AFTERTREATMENT COVER Steel, Black	10/3	13
7BLW	EXHAUST SYSTEM Horizontal Aftertreatment System, Frame Mounted Right Side Under Cab, for Single Vertical Tail Pipe, Frame Mounted Right Side Back of Cab	134/43	177
7SCP	ENGINE EXHAUST BRAKE for Cummins ISB/B6.7/ISL/L9 Engine with Variable Vane Turbo Charger	0/0	0
7WAZ	TAIL PIPE (1) Turnback Type	6/4	10
7WDM	EXHAUST HEIGHT 10'	16/12	28
7WDN	MUFFLER/TAIL PIPE GUARD (1) Aluminum	9/7	16
7WZY	SWITCH, FOR EXHAUST 2 Position, Lighted & Latching, On/Off Type, Mounted in IP, Inhibits Diesel Particulate Filter Regeneration as Long as Switch is in On Position	2/0	2
8000	ELECTRICAL SYSTEM 12-Volt, Standard Equipment	0/0	0

Includes

: DATA LINK CONNECTOR For Vehicle Programming and Diagnostics In Cab
: HAZARD SWITCH Push On/Push Off, Located on Instrument Panel to Right of Steering Wheel
: HEADLIGHT DIMMER SWITCH Integral with Turn Signal Lever
: PARKING LIGHT Integral with Front Turn Signal and Rear Tail Light
: STARTER SWITCH Electric, Key Operated
: STOP, TURN, TAIL & B/U LIGHTS Dual, Rear, Combination with Reflector
: TURN SIGNAL SWITCH Self-Cancelling for Trucks, Manual Cancelling for Tractors, with Lane Change Feature
: WINDSHIELD WIPER SWITCH 2-Speed with Wash and Intermittent Feature (5 Pre-Set Delays), Integral with Turn Signal Lever
: WINDSHIELD WIPERS Single Motor, Electric, Cowl Mounted
: WIRING, CHASSIS Color Coded and Continuously Numbered

INTERNATIONAL®**Vehicle Specifications**
2025 HV607 SBA (HV607)**October 27, 2023**

<u>Code</u>	<u>Description</u>	<u>F/R Wt</u> (lbs)	<u>Tot Wt</u> (lbs)
8GXD	ALTERNATOR {Leece-Neville AV1160P2013} Brush Type, 12 Volt, 160 Amp Capacity, Pad Mount, with Remote Sense	0/0	0
8HAA	BODY BUILDER WIRING To Rear of Frame, with Stop, Tail, Turn, and Marker Lights Circuits, Ignition Controlled Auxiliary Feed and Ground, Less Trailer Socket	2/0	2
8MSG	BATTERY SYSTEM {Fleetrite} Maintenance-Free, (3) 12-Volt 1980CCA Total, Top Threaded Stud	26/27	53
8RMV	SPEAKERS (2) 6.5" Dual Cone Mounted in Doors	5/0	5
8RPB	RADIO, AUXILIARY CONTROLS Mounted in Steering Wheel, Radio Function Control Switch, Includes Volume Up/Down, Mute, Forward/Back and Bluetooth Answer/Disconnect	9/1	10
8RPR	ANTENNA for Increased Roof Clearance Applications	1/0	1
8RPS	RADIO AM/FM/WB/Clock/Bluetooth/USB Input/Auxiliary Input	3/0	3
8TPS	STOP, TURN, TAIL & B/U LIGHTS {Weldon} Multi-Function LED Lamp, Mounted Inside Rails, Includes LED License Plate Light	-3/14	11
8VAY	HORN, ELECTRIC Disc Style	0/0	0
8VUL	BATTERY BOX Steel, with Plastic Cover, 18" Wide, 2-4 Battery Capacity, Mounted Left Side Back of Cab	-35/12	-23
8WBW	JUMP START STUD Remote Mounted	2/0	2
8WDG	BACK-UP ALARM {Preco 1059} Electronic; Solid State, Dual Function, 112 dBA	0/1	1
8WPH	CLEARANCE/MARKER LIGHTS (5) {Truck Lite} Amber LED Lights, Flush Mounted on Cab or Sunshade	0/0	0
8WPZ	TEST EXTERIOR LIGHTS Pre-Trip Inspection will Cycle all Exterior Lamps Except Back-up Lights	0/0	0
8WRB	HEADLIGHTS ON W/WIPERS Headlights Will Automatically Turn on if Windshield Wipers are turned on	0/0	0
8WWJ	INDICATOR, LOW COOLANT LEVEL with Audible Alarm	0/0	0
8WXB	HEADLIGHT WARNING BUZZER Sounds When Head Light Switch is on and Ignition Switch is in "Off" Position	0/0	0
8WXD	ALARM, PARKING BRAKE Electric Horn Sounds in Repetitive Manner When Vehicle Park Brake is "NOT" Set, with Ignition "OFF" and any Door Opened	0/0	0
8WXG	STARTING MOTOR {Mitsubishi Electric Automotive America 105P} 12-Volt, with Soft-Start	10/0	10
8XAH	CIRCUIT BREAKERS Manual-Reset (Main Panel) SAE Type III with Trip Indicators, Replaces All Fuses	0/0	0
8XGT	TURN SIGNALS, FRONT Includes LED Side Turn Lights Mounted on Fender	0/0	0
8XHN	HORN, AIR Single Trumpet, Black, with Lanyard Pull Cord	3/0	3
8XNZ	HEADLIGHTS Halogen, with Daytime Running Lights	0/0	0
9AAB	LOGOS EXTERIOR Model Badges	0/0	0
9AAE	LOGOS EXTERIOR, ENGINE Badges	0/0	0
9HBM	GRILLE Stationary, Chrome	0/0	0

INTERNATIONAL®**Vehicle Specifications**
2025 HV607 SBA (HV607)**October 27, 2023**

<u>Code</u>	<u>Description</u>	<u>F/R Wt</u> (lbs 2/0)	<u>Tot Wt</u> (lbs 2)
9HBN	INSULATION, SPLASH PANELS for Sound Abatement		
9WBM	FRONT END Tilting, Fiberglass, with Three Piece Construction, Sloped Front	-64/-6	-70
10060	PAINT SCHEMATIC, PT-1 Single Color, Design 100	0/0	0
	<u>Includes</u> : PAINT SCHEMATIC ID LETTERS "WL"		
10761	PAINT TYPE Base Coat/Clear Coat, 1-2 Tone	0/0	0
10AGB	COMMUNICATIONS MODULE Telematics Device with Over the Air Programming; Includes Five Year Data Plan and International 360	1/0	1
10BAE	LABEL, DEF "DEF ONLY"	0/0	0
10WBS	KEYS - ALL ALIKE, ADDITIONAL 2 Keys	0/0	0
10WCY	SAFETY TRIANGLES	6/0	6
10WKN	KEYS - ALL ALIKE, ID I-1624 Compatible with Z-250	0/0	0
10WWP	MUD FLAPS, FRONT WHEELS (2) Rubber, Mounted on Fender Extension, for Tire Size 425/445	3/0	3
10XAN	FIRE EXTINGUISHER 5 lb Class A B C	8/2	10
10XAP	FIRE EXTINGUISHER BRACKET Mounted Left Side Driver Seat	1/0	1
11001	CLUTCH Omit Item (Clutch & Control)	0/0	0
12703	ANTI-FREEZE Red, Extended Life Coolant; To -40 Degrees F/ -40 Degrees C, Freeze Protection	0/0	0
12EYZ	ENGINE, DIESEL {Cummins L9 360} EPA 2024, 360HP @ 2200 RPM, 1150 lb-ft Torque @ 1200 RPM, 2200 RPM Governed Speed, 359 Peak HP (Max)	584/-20	564
12THT	FAN DRIVE {Horton Drivemaster} Two-Speed Type, Direct Drive, with Residual Torque Device for Disengaged Fan Speed	0/0	0
	<u>Includes</u> : FAN Nylon		
12UAW	RADIATOR Aluminum, 2-Row, Cross Flow, Over Under System, 1045 SqIn Louvered, with 373 SqIn Charge Air Cooler, Includes In-Tank Oil Cooler	6/-9	-3
	<u>Includes</u> : DEAERATION SYSTEM with Surge Tank : HOSE CLAMPS, RADIATOR HOSES Gates Shrink Band Type; Thermoplastic Coolant Hose Clamps : RADIATOR HOSES Premium, Rubber		
12VBR	AIR CLEANER with Service Protection Element	10/0	10
12VJS	EMISSION, CALENDAR YEAR {Cummins L9} EPA, OBD and GHG Certified for Calendar Year 2024	0/0	0
12VXT	THROTTLE, HAND CONTROL Engine Speed Control; Electronic, Stationary, Variable Speed; Mounted on Steering Wheel	0/0	0
12WVG	EPA IDLE COMPLIANCE Low NOx Idle Engine, Complies with EPA Clean Air Regulations; Includes "Certified Clean Idle" Decal on Hood	0/0	0
12WZE	CARB IDLE COMPLIANCE Does Not Comply with California Clean Air Idle Regulations	0/0	0

INTERNATIONAL®**Vehicle Specifications**
2025 HV607 SBA (HV607)**October 27, 2023**

<u>Code</u>	<u>Description</u>	<u>F/R Wt</u> (lbs)	<u>Tot Wt</u> (lbs)
12XBM	ENGINE CONTROL, REMOTE MOUNTED Provision for; Includes Wiring for Body Builder Installation of PTO Controls and Starter Lockout, with Ignition Switch Control, for Cummins B6.7 and L9 Engines	0/0	0
12XCS	CARB EMISSION WARR COMPLIANCE Does Not Comply with CARB Emission Warranty	0/0	0
13BCS	TRANSMISSION, AUTOMATIC {Allison 3000 RDS} 6th Generation Controls, Close Ratio, 6-Speed with Double Overdrive, with PTO Provision, Less Retarder, Includes Oil Level Sensor, with 80,000-lb GVW and GCW Max, On/Off Highway	218/65	283
13WET	TRANSMISSION SHIFT CONTROL Column Mounted Stalk Shifter, Not for Use with Allison 1000 & 2000 Series Transmission	1/0	1
13WLP	TRANSMISSION OIL Synthetic; 29 thru 42 Pints	0/0	0
13WUC	ALLISON SPARE INPUT/OUTPUT for Rugged Duty Series (RDS) and Regional Haul Series (RHS), General Purpose Trucks, Construction, Package Number 223	0/0	0
13WVV	NEUTRAL AT STOP Allison Transmission Shifts to Neutral When Service Brake is Depressed and Vehicle is at Stop; Remains in Neutral Until Service Brake is Released	0/0	0
13WYU	SHIFT CONTROL PARAMETERS {Allison} 3000 or 4000 Series Transmissions, Performance Programming	0/0	0
13XAA	PTO CONTROL, DASH MOUNTED For Customer Provided PTO; Includes Switch, Electric/Air Solenoid, Piping and Wiring	3/0	3
13XAL	PTO LOCATION Customer Intends to Install PTO at Left Side of Transmission	0/0	0
14HRE	AXLE, REAR, TANDEM {Meritor RT-46-164P} Single Reduction, Standard Width, 46,000-lb Capacity, with Lube Oil Pump, Driver Controlled Locking Differential in Forward-Rear and Rear-Rear Axle, 200 Wheel Ends . Gear Ratio: 5.38	0/2625	2625
14UHK	SUSPENSION, REAR, TANDEM {Hendrickson RT-463} Walking Beam, 46,000-lb Capacity, 54" Axle Spacing, Multileaf Springs, with Bronze Center Bushings	0/1041	1041
14WMK	AXLE, REAR, LUBE {EmGard FE-75W-90} Synthetic Oil; 65 thru 89.99 Pints	0/0	0
15LNR	FUEL/WATER SEPARATOR {Racor 400 Series} with Primer Pump, Includes Water-in-Fuel Sensor, Mounted on Engine	0/0	0
15SGG	FUEL TANK Top Draw, Non-Polished Aluminum, D-Style, 19" Tank Depth, 70 US Gal (265L), Mounted Left Side, Under Cab	9/8	17
15WDG	DEF TANK 7 US Gal (26L) Capacity, Frame Mounted Outside Left Rail, Under Cab	0/0	0
16030	CAB Conventional, Day Cab	0/0	0
16BAM	AIR CONDITIONER with Integral Heater and Defroster	0/0	0
16GEG	GAUGE CLUSTER Premium Level; English with English Electronic Speedometer	0/0	0
	<u>Includes</u> : GAUGE CLUSTER DISPLAY: Base Level (3" Monochromatic Display), Premium Level (5" LCD Color Display); Odometer, Voltmeter, Diagnostic Messages, Gear Indicator, Trip Odometer, Total Engine Hours, Trip Hours, MPG, Distance to Empty/ Refill for : GAUGE CLUSTER Speedometer, Tachometer, Engine Coolant Temp, Fuel Gauge, DEF Gauge, Oil Pressure Gauge, Primary and Secondary Air Pressure : WARNING SYSTEM Low Fuel, Low DEF, Low Oil Pressure, High Engine Coolant Temp, Low Battery Voltage (Visual and Audible), Low Air Pressure (Primary and Secondary)		

INTERNATIONAL®**Vehicle Specifications**
2025 HV607 SBA (HV607)**October 27, 2023**

<u>Code</u>	<u>Description</u>	<u>F/R Wt</u> (lbs)	<u>Tot Wt</u> (lbs)
16GHU	GRAB HANDLE, CAB INTERIOR (2) Safety Yellow	0/0	0
16HKT	IP CLUSTER DISPLAY On Board Diagnostics Display of Fault Codes in Gauge Cluster	0/0	0
16JNT	SEAT, DRIVER {National 2000} Air Suspension, High Back with Integral Headrest, Vinyl, Isolator, 1 Chamber Lumbar, with 2 Position Front Cushion Adjust, -3 to +14 Degree Angle Back Adjust	0/0	0
16SGH	GRAB HANDLE, EXTERIOR (2) Chrome, for Cab Entry, (1) Towel Bar Type, with Anti-Slip Rubber Inserts Mounted Left Side at B-Pillar, (1) Towel Bar Type Mounted Right Side on Vertical Exhaust	4/2	6
16SMN	SEAT, PASSENGER {National} Non Suspension, High Back, Fixed Back, Integral Headrest, Vinyl	15/8	23
16SNL	MIRRORS (2) C-Loop, Black Heads and Arms, 7.5" x 14" Flat Glass, Includes 7.5" x 7" Convex Mirrors, for 102" Load Width	0/0	0
	<u>Notes</u> : Mirror Dimensions are Rounded to the Nearest 0.5"		
16VCC	SEAT BELT All Orange; 1 to 3	0/0	0
16VKB	CAB INTERIOR TRIM Classic, for Day Cab	0/0	0
	<u>Includes</u> : CONSOLE, OVERHEAD Molded Plastic with Dual Storage Pockets, Retainer Nets and CB Radio Pocket; Located Above Driver and Passenger : DOME LIGHT, CAB Door Activated and Push On-Off at Light Lens, Timed Theater Dimming, Integral to Overhead Console, Center Mounted : SUN VISOR (2) Padded Vinyl; 2 Moveable (Front-to-Side) Primary Visors, Driver Side with Toll Ticket Strap		
16VLV	MONITOR, TIRE PRESSURE Omit	-10/-1	-11
16WBY	ARM REST, RIGHT, DRIVER SEAT	3/0	3
16WJU	WINDOW, POWER (2) and Power Door Locks, Left and Right Doors, Includes Express Down Feature	0/0	0
16WLS	FRESH AIR FILTER Attached to Air Intake Cover on Cowl Tray in Front of Windshield Under Hood	0/0	0
16WSK	CAB REAR SUSPENSION Air Bag Type	0/0	0
16XJN	INSTRUMENT PANEL Flat Panel	0/0	0
16ZBT	ACCESS, CAB Steel, Driver & Passenger Sides, Two Steps per Door, for use with Day Cab and Extended Cab	0/0	0
27DUM	WHEELS, FRONT {Accuride 29806} DISC; 22.5x12.25 Rims, Powder Coat Steel, 5-Hand Hole, 10-Stud, 285.75mm BC, Hub-Piloted, Flanged Nut, with Steel Hubs, Offset 4.63"	94/0	94
28DJM	WHEELS, REAR {Maxion 91541} DUAL DISC; 22.5x8.25 Rims, Painted Steel, 2-Hand Hole, 10-Stud, 285.75mm BC, Hub-Piloted, Flanged Nut, with Steel Hubs	0/-48	-48
29ACD	TIRE VALVE CAP Flo-Thru Design	0/0	0
29PAS	PAINT IDENTITY, REAR WHEELS Disc Rear Wheels; with Vendor Applied White Powder Coat Paint	0/0	0
29WLK	WHEEL BEARING, FRONT, LUBE {EmGard FE-75W-90} Synthetic Oil	0/0	0

INTERNATIONAL®**Vehicle Specifications**
2025 HV607 SBA (HV607)**October 27, 2023**

<u>Code</u>	<u>Description</u>	<u>F/R Wt</u> (lbs)	<u>Tot Wt</u> (lbs)
7372135432	(8) TIRE, REAR 11R22.5 Load Range G HDL2 (CONTINENTAL), 493 rev/mile, 75 MPH, Drive	0/-8	-8
7792655441	(2) TIRE, FRONT 385/65R22.5 Load Range L HAC 3 (CONTINENTAL), 479 rev/mile, 68 MPH, All-Position Cab schematic 100WL Location 1: 9219, Winter White (Std) Chassis schematic N/A	78/0	78
Services Section:			
40128	WARRANTY Standard for HV507, HV50B, HV607 Models, Effective with Vehicles Built July 1, 2017 or Later, CTS-2025A	0/0	0
Total Component Weight:		8215/7959 (lbs)	16174 (lbs)
1	AFT3 Godwin 12-Yard Dump from AFT	0/0	0
Total Body Allied:		0/0 (lbs)	0 (lbs)

The weight calculations included in this proposal are an estimate of future vehicle weight. The actual weight as manufactured may be different from the estimated weight. Navistar, Inc. shall not be liable for any consequences resulting from any differences between the estimated weight of a vehicle and the actual weight.

INTERNATIONAL®**Financial Summary**
2025 HV607 SBA (HV607)**October 27, 2023**

<u>Description</u>	(US DOLLAR)	<u>Price</u>
Net Sales Price:		\$191,560.00

Please feel free to contact me regarding these specifications should your interests or needs change. I am confident you will be pleased with the quality and service of an International vehicle.

In accordance with Florida Sheriffs Association (FSA) contract FSA-23-VEH21.0 valid for PO's issued between 10/1/23 and 9/30/24 with vehicle built by 12/31/2024.

Purchase Orders placed for this specification should include a reference as follows in accordance with the Florida Sheriff's Association Terms: "FSA23-VEH21.0 Item# 61 & selected options, per Proposal 11533"

NOTE: Production expected to be Q2, 2024 with delivery within 90 days of production.

2025 International HV607 6x42:	\$134,876.00	Per FSA Item #61 with selected options, proposal 11533.
14', 12-Yard Dump Body:	\$56,684.00	Per FSA body option AFT3 from Item# 61 options.

Subtotal: \$191,560.00

Florida State Sales Tax:	N/A
Hillsborough County Surtax:	N/A
Florida Tire & Battery Fee:	Included
Florida County Tag:	N/A MSO only for self-titling

Total per unit: \$191,560.00

Total acquisition cost for (2) units per the attached specifications = \$383,120.00
Orders will be placed and delivery estimate provided upon receipt of Purchase Order.



MV607 SBA

Sales Proposal For:

PINELLAS COUNTY

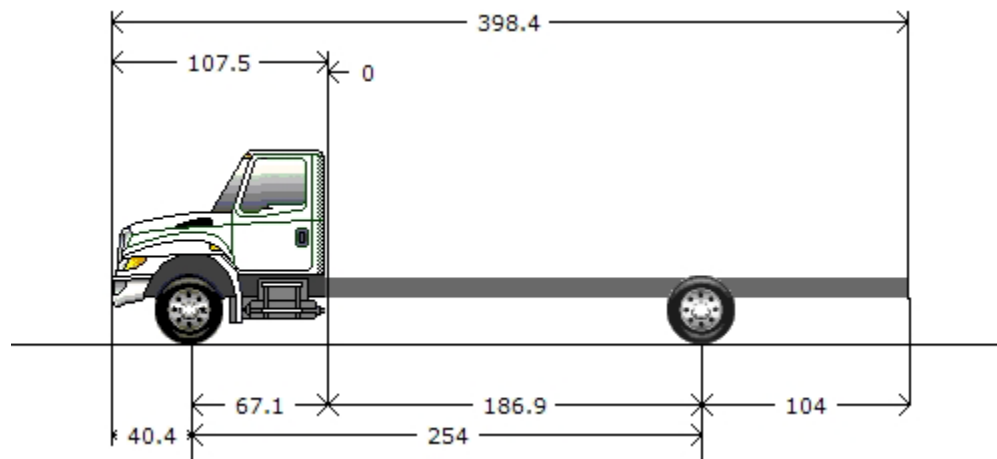
Presented By:

SUN STATE INTL TRKS, LLC

Prepared For:
 PINELLAS COUNTY
 Greg Herremans
 9685 Ulmerton Rd.
 Largo, FL 33771-3699
 (727)582 - 3007
 Reference ID: Item 46

Presented By:
 SUN STATE INTL TRKS, LLC
 David Metcalf
 6020 ADAMO DRIVE
 TAMPA FL 33619 -
 (813)621-1331

Thank you for the opportunity to provide you with the following quotation on a new International truck. I am sure the following detailed specification will meet your operational requirements, and I look forward to serving your business needs.



Model Profile
2025 MV607 SBA (MV607)

AXLE CONFIG:	4X2
APPLICATION:	Dry Van
MISSION:	Requested GVWR: 33000. Calc. GVWR: 33000. Calc. GCWR: 33000 Calc. Start / Grade Ability: 20.86% / 1.53% @ 55 MPH Calc. Geared Speed: 93.5 MPH
DIMENSION:	Wheelbase: 254.00, CA: 186.90, Axle to Frame: 104.00
ENGINE, DIESEL:	{Cummins B6.7 250} EPA 2024, 250HP @ 2400 RPM, 660 lb-ft Torque @ 1600 RPM, 2600 RPM Governed Speed, 250 Peak HP (Max)
TRANSMISSION, AUTOMATIC:	{Allison 2500 RDS} 6th Generation Controls, Wide Ratio, 6-Speed with Double Overdrive, with PTO Provision, Less Retarder, with 33,000-lb GVW and GCW Max
CLUTCH:	Omit Item (Clutch & Control)
AXLE, FRONT NON-DRIVING:	{Dana Spicer E-1202IR} I-Beam Type, 12,000-lb Capacity
AXLE, REAR, SINGLE:	{Dana Spicer 21060S} Single Reduction, 21,000-lb Capacity, R Wheel Ends Gear Ratio: 5.29
CAB:	Conventional, Day Cab
TIRE, FRONT:	(2) 11R22.5 Load Range H ECOPLUS HS3+ (CONTINENTAL), 495 rev/mile, 75 MPH, All-Position
TIRE, REAR:	(4) 11R22.5 Load Range G HDL2 (CONTINENTAL), 493 rev/mile, 75 MPH, Drive
SUSPENSION, REAR, SINGLE:	23,500-lb Capacity, Vari-Rate Springs, with 4500-lb Capacity Auxiliary Rubber Springs
PAINT:	Cab schematic 100WP Location 1: 9219, Winter White (Std) Chassis schematic N/A

INTERNATIONAL®**Vehicle Specifications**
2025 MV607 SBA (MV607)**October 26, 2023**

<u>Code</u>	<u>Description</u>	<u>F/R Wt</u> (lbs)	<u>Tot Wt</u> (lbs)
MV60700	Base Chassis, Model MV607 SBA with 254.00 Wheelbase, 186.90 CA, and 104.00 Axle to Frame.	5354/2774	8128
1570	TOW HOOK, FRONT (2) Frame Mounted	8/0	8
1ANA	AXLE CONFIGURATION {Navistar} 4x2	0/0	0
	<u>Notes</u> : Pricing may change if axle configuration is changed.		
1CAG	FRAME RAILS Heat Treated Alloy Steel (120,000 PSI Yield); 10.250" x 3.610" x 0.375" (260.4mm x 91.7mm x 9.5mm); 456.0" (11582mm) Maximum OAL	249/692	941
1LEG	LICENSE PLATE HOLDER Includes Upper & Lower Mounting Plate Hardware, Mounted in Existing Holes in Front Bumper	3/0	3
1LNG	BUMPER, FRONT Contoured, Steel, Painted Gloss Black	0/0	0
1SAL	CROSSMEMBER, REAR, AF (1)	-4/24	20
1WEJ	WHEELBASE RANGE 199" (505cm) Through and Including 254" (645cm)	251/-251	0
2AYW	AXLE, FRONT NON-DRIVING {Dana Spicer E-1202IR} I-Beam Type, 12,000-lb Capacity	27/0	27
3ADC	SUSPENSION, FRONT, SPRING Parabolic Taper Leaf, Shackle Type, 12,000-lb Capacity, with Shock Absorbers	36/0	36
	<u>Includes</u> : SPRING PINS Rubber Bushings, Maintenance-Free		
4091	BRAKE SYSTEM, AIR Dual System for Straight Truck Applications	-37/-13	-50
	<u>Includes</u> : BRAKE LINES Color and Size Coded Nylon : DRAIN VALVE Twist-Type : GAUGE, AIR PRESSURE (2) Air 1 and Air 2 Gauges; Located in Instrument Cluster : PARKING BRAKE CONTROL Yellow Knob, Located on Instrument Panel : PARKING BRAKE VALVE For Truck : QUICK RELEASE VALVE On Rear Axle for Spring Brake Release: 1 for 4x2, 2 for 6x4 : SPRING BRAKE MODULATOR VALVE R-7 for 4x2, SR-7 with relay valve for 6x4/8x6		
4AZA	AIR BRAKE ABS {Bendix AntiLock Brake System} 4-Channel (4 Sensor/4 Modulator) Full Vehicle Wheel Control System	9/21	30
4EDN	AIR DRYER {Bendix AD-9SI} with Heater, Includes Safety Valve	18/-1	17
4EXP	BRAKE CHAMBERS, FRONT AXLE {Bendix} 20 SqIn	16/0	16
4EXU	BRAKE CHAMBERS, REAR AXLE {Bendix EverSure} 30/30 SqIn Spring Brake	0/39	39
4GBM	BRAKE, PARKING Manual Push-Pull Pneumatic Parking Brake	1/0	1
4LAG	SLACK ADJUSTERS, FRONT {Gunite} Automatic	14/0	14
4LGG	SLACK ADJUSTERS, REAR {Gunite} Automatic	0/14	14
4SPA	AIR COMPRESSOR {Cummins} 18.7 CFM	37/1	38
4VKH	AIR TANK LOCATION (2) Mounted Under Battery Box, Outside Right Rail, Under Cab	42/9	51

<u>Code</u>	<u>Description</u>	<u>F/R Wt</u> (lbs)	<u>Tot Wt</u> (lbs)
4VLE	AIR DRYER LOCATION Mounted Inside Engine Compartment, Right Side	0/0	0
4XDC	BRAKES, FRONT {Meritor 15X4 Q-PLUS CAST} Air S-Cam Type, Cast Spider, Fabricated Shoe, Double Anchor Pin, Size 15" X 4", 13,200-lb Capacity	77/0	77
4XDR	BRAKES, REAR {Meritor 16.5X7 Q-PLUS CAST} Air S-Cam Type, Cast Spider, Fabricated Shoe, Double Anchor Pin, Size 16.5" X 7", 23,000-lb Capacity per Axle	0/195	195
5708	STEERING COLUMN Tilting	15/1	16
5CAW	STEERING WHEEL 4-Spoke; 18" Dia., Black	0/0	0
5PRR	STEERING GEAR {TRW (Ross) TAS66} Power	33/-4	29
6DGA	DRIVELINE SYSTEM {Dana Spicer} SPL100, for 4x2/6x2	0/0	0
7BME	EXHAUST SYSTEM Horizontal Aftertreatment System, Frame Mounted Under Right Rail Back of Cab, Includes Single Short Horizontal Tail Pipe	0/0	0
7SCP	ENGINE EXHAUST BRAKE for Cummins ISB/B6.7/ISL/L9 Engine with Variable Vane Turbo Charger	0/0	0
8000	ELECTRICAL SYSTEM 12-Volt, Standard Equipment	0/0	0
	<u>Includes</u>		
	: DATA LINK CONNECTOR For Vehicle Programming and Diagnostics In Cab		
	: HAZARD SWITCH Push On/Push Off, Located on Instrument Panel to Right of Steering Wheel		
	: HEADLIGHT DIMMER SWITCH Integral with Turn Signal Lever		
	: PARKING LIGHT Integral with Front Turn Signal and Rear Tail Light		
	: STARTER SWITCH Electric, Key Operated		
	: STOP, TURN, TAIL & B/U LIGHTS Dual, Rear, Combination with Reflector		
	: TURN SIGNAL SWITCH Self-Cancelling for Trucks, Manual Cancelling for Tractors, with Lane Change Feature		
	: TURN SIGNALS, FRONT Includes Reflectors and Auxiliary Side Turn Signals, Solid State Flashers; Flush Mounted		
	: WINDSHIELD WIPER SWITCH 2-Speed with Wash and Intermittent Feature (5 Pre-Set Delays), Integral with Turn Signal Lever		
	: WINDSHIELD WIPERS Single Motor, Electric, Cowl Mounted		
	: WIRING, CHASSIS Color Coded and Continuously Numbered		
8GXD	ALTERNATOR {Leece-Neville AVI160P2013} Brush Type, 12 Volt, 160 Amp Capacity, Pad Mount, with Remote Sense	0/0	0
8HAB	BODY BUILDER WIRING Back of Day Cab at Left Frame or Under Sleeper, Extended or Crew Cab at Left Frame; Includes Sealed Connectors for Tail/Amber Turn/Marker/ Backup/Accessory Power/Ground and Sealed Connector for Stop/Turn	2/0	2
8MJU	BATTERY SYSTEM {Fleetrite} Maintenance-Free, (3) 12-Volt 2850CCA Total, Top Threaded Stud	49/25	74
8RMZ	SPEAKERS (2) 6.5" Dual Cone Mounted in Both Doors, (2) 5.25" Dual Cone Mounted in Both B-Pillars	7/1	8
8RPR	ANTENNA for Increased Roof Clearance Applications	1/0	1
8RPS	RADIO AM/FM/WB/Clock/Bluetooth/USB Input/Auxiliary Input	3/0	3
8THB	BACK-UP ALARM Electric, 102 dBA	0/3	3
8VBE	HORN, ELECTRIC (1) Trumpet Style	0/0	0

INTERNATIONAL®**Vehicle Specifications**
2025 MV607 SBA (MV607)**October 26, 2023**

<u>Code</u>	<u>Description</u>	<u>F/R Wt</u> (lbs)	<u>Tot Wt</u> (lbs)
8VUX	BATTERY BOX Steel, with Plastic Cover, 25" Wide, 2-3 Battery Capacity, Mounted Right Side Under Cab	0/0	0
8WBW	JUMP START STUD Remote Mounted <u>Includes</u> : JUMP START STUD Mounted to Battery Box	2/0	2
8WGL	WINDSHIELD WIPER SPD CONTROL Force Wipers to Slowest Intermittent Speed When Park Brake Set and Wipers Left on for a Predetermined Time	0/0	0
8WPH	CLEARANCE/MARKER LIGHTS (5) {Truck Lite} Amber LED Lights, Flush Mounted on Cab or Sunshade	1/0	1
8WPZ	TEST EXTERIOR LIGHTS Pre-Trip Inspection will Cycle all Exterior Lamps Except Back-up Lights	0/0	0
8WRB	HEADLIGHTS ON W/WIPERS Headlights Will Automatically Turn on if Windshield Wipers are turned on	0/0	0
8WWJ	INDICATOR, LOW COOLANT LEVEL with Audible Alarm	0/0	0
8WXB	HEADLIGHT WARNING BUZZER Sounds When Head Light Switch is on and Ignition Switch is in "Off" Position	0/0	0
8WXD	ALARM, PARKING BRAKE Electric Horn Sounds in Repetitive Manner When Vehicle Park Brake is "NOT" Set, with Ignition "OFF" and any Door Opened	0/0	0
8XAH	CIRCUIT BREAKERS Manual-Reset (Main Panel) SAE Type III with Trip Indicators, Replaces All Fuses	0/0	0
8XHN	HORN, AIR Single Trumpet, Black, with Lanyard Pull Cord	3/0	3
8XJH	FOG LIGHTS (2) Clear Lens, LED, Rectangular, with White Light Source	3/0	3
8XKC	HEADLIGHTS Halogen, with Daytime Running Lights, Automatic Twilight Controlled	0/0	0
8XKL	STARTING MOTOR {Mitsubishi Electric Automotive America 90P47} 12-Volt, with Soft-Start	0/0	0
8XPK	POWER SOURCE, ADDITIONAL Auxiliary Power Outlet (APO) with USB-A Port and USB-C Port, Located in the Instrument Panel	0/0	0
8XPN	USB PORT One USB-A Port and One USB-C Port, Located in Instrument Panel	0/0	0
9AAB	LOGOS EXTERIOR Model Badges	0/0	0
9AAE	LOGOS EXTERIOR, ENGINE Badges	0/0	0
9HCW	GRILLE Molded in Black	0/0	0
9WBN	FENDER EXTENSIONS Painted	0/0	0
9WBW	FRONT END Tilting, Fiberglass, with Three Piece Construction, Dual Air Intakes	0/0	0
9WBZ	BUG SCREEN Mounted Behind Grille and Bumper Grille	5/0	5
10060	PAINT SCHEMATIC, PT-1 Single Color, Design 100 <u>Includes</u> : PAINT SCHEMATIC ID LETTERS "WP"	0/0	0
10761	PAINT TYPE Base Coat/Clear Coat, 1-2 Tone	0/0	0

<u>Code</u>	<u>Description</u>	<u>F/R Wt</u> (lbs)	<u>Tot Wt</u> (lbs)
10AGB	COMMUNICATIONS MODULE Telematics Device with Over the Air Programming; Includes Five Year Data Plan and International 360	0/0	0
10BAE	LABEL, DEF "DEF ONLY"	0/0	0
10SLV	PROMOTIONAL PACKAGE Government Silver Package	0/0	0
10VAA	KEYS - ALL ALIKE, ADDITIONAL 3 Keys	0/0	0
10WCY	SAFETY TRIANGLES	6/0	6
10WKN	KEYS - ALL ALIKE, ID I-1624 Compatible with Z-250	0/0	0
10WUE	MUD FLAPS, FRONT WHEELS (2) Rubber, Mounted on Fender Extension	12/0	12
10XAN	FIRE EXTINGUISHER 5 lb Class A B C	9/1	10
10XAP	FIRE EXTINGUISHER BRACKET Mounted Left Side Driver Seat	1/0	1
11001	CLUTCH Omit Item (Clutch & Control)	0/0	0
12703	ANTI-FREEZE Red, Extended Life Coolant; To -40 Degrees F/ -40 Degrees C, Freeze Protection	0/0	0
12EMZ	VENDOR WARRANTY, ENGINE {Cummins} B6.7 Engine, 3-Year Unlimited Miles Standard Warranty	0/0	0
12EXU	ENGINE, DIESEL {Cummins B6.7 250} EPA 2024, 250HP @ 2400 RPM, 660 lb-ft Torque @ 1600 RPM, 2600 RPM Governed Speed, 250 Peak HP (Max)	0/0	0
12TSY	FAN DRIVE {Borg-Warner SA85} Viscous Type, Screw On	0/0	0
	<u>Includes</u> : FAN Nylon		
12VCE	AIR CLEANER Single Element, Fire Retardant Media	0/0	0
12VJR	EMISSION, CALENDAR YEAR {Cummins B6.7} EPA, OBD and GHG Certified for Calendar Year 2024	0/0	0
12VXT	THROTTLE, HAND CONTROL Engine Speed Control; Electronic, Stationary, Variable Speed; Mounted on Steering Wheel	0/0	0
12VYP	ENGINE CONTROL, REMOTE MOUNTED No Provision for Remote Mounted Engine Control	0/0	0
12WPV	OIL PAN 15 Quart Capacity, For Cummins ISB/B6.7 Engines	0/0	0
12WVG	EPA IDLE COMPLIANCE Low NOx Idle Engine, Complies with EPA Clean Air Regulations; Includes "Certified Clean Idle" Decal on Hood	0/0	0
12WZE	CARB IDLE COMPLIANCE Does Not Comply with California Clean Air Idle Regulations	0/0	0
12XCC	RADIATOR Aluminum, 2-Row, Down Flow, Front to Back System, 640 SqIn Louvered, with 383 SqIn Charge Air Cooler, Includes In-Tank Oil Cooler	0/0	0
12XCS	CARB EMISSION WARR COMPLIANCE Does Not Comply with CARB Emission Warranty	0/0	0
13BBK	TRANSMISSION, AUTOMATIC {Allison 2500 RDS} 6th Generation Controls, Wide Ratio, 6-Speed with Double Overdrive, with PTO Provision, Less Retarder, with 33,000-lb GVW and GCW Max	0/0	0
13WDH	WIRING, TRANSMISSION Installed Wiring for Transmission/PTO Controls, for Allison 1000, 2000, 2100, 2200, 2400, 2500 Series Transmission	1/0	1

INTERNATIONAL®**Vehicle Specifications**
2025 MV607 SBA (MV607)**October 26, 2023**

<u>Code</u>	<u>Description</u>	<u>F/R Wt</u> (lbs)	<u>Tot Wt</u> (lbs)
13WLN	TRANSMISSION OIL Synthetic; 20 thru 28 Pints	0/0	0
13WUA	AUTOMATIC NEUTRAL Allison Transmission Shifts to Neutral When Parking Brake is Engaged and Remains in Neutral When Parking Brake is Disengaged, with On/Off Switch	0/0	0
13WVS	TRANSMISSION SHIFT CONTROL T-Handle	0/0	0
13WVV	NEUTRAL AT STOP Allison Transmission Shifts to Neutral When Service Brake is Depressed and Vehicle is at Stop; Remains in Neutral Until Service Brake is Released	0/0	0
13WYY	SHIFT CONTROL PARAMETERS {Allison} 1000 or 2000 Series Transmissions, Performance Programming	0/0	0
13XAC	ALLISON SPARE INPUT/OUTPUT for Rugged Duty Series (RDS), General Purpose Trucks, Package Number 354, Modified for Single Input Auto Neutral	0/0	0
13XAL	PTO LOCATION Customer Intends to Install PTO at Left Side of Transmission	0/0	0
14AWD	AXLE, REAR, SINGLE {Dana Spicer 21060S} Single Reduction, 21,000-lb Capacity, R Wheel Ends . Gear Ratio: 5.29	0/225	225
14VAH	SUSPENSION, REAR, SINGLE 23,500-lb Capacity, Vari-Rate Springs, with 4500-lb Capacity Auxiliary Rubber Springs	0/66	66
14WAP	SHOCK ABSORBERS, REAR (2)	0/45	45
14WMN	AXLE, REAR, LUBE {EmGard FE-75W-90} Synthetic Oil; 1 thru 29.99 Pints	0/0	0
15LMR	FUEL/WATER SEPARATOR {Racor 400 Series,} with Primer Pump, Includes Water-in-Fuel Sensor	0/0	0
15LRE	LOCATION FUEL/WATER SEPARATOR Mounted Under Hood, Left Side, Above Front Axle	0/0	0
15SRE	FUEL TANK Top Draw, Non-Polished Aluminum, D-Style, 19" Tank Depth, 50 US Gal (189L), Mounted Left Side, Under Cab	23/6	29
15WDG	DEF TANK 7 US Gal (26L) Capacity, Frame Mounted Outside Left Rail, Under Cab	0/0	0
16030	CAB Conventional, Day Cab	0/0	0
	<u>Includes</u> : CLEARANCE/MARKER LIGHTS (5) Flush Mounted		
16BAM	AIR CONDITIONER with Integral Heater and Defroster	56/0	56
16GEG	GAUGE CLUSTER Premium Level; English with English Electronic Speedometer	0/0	0
	<u>Includes</u> : GAUGE CLUSTER DISPLAY: Base Level (3" Monochromatic Display), Premium Level (5" LCD Color Display); Odometer, Voltmeter, Diagnostic Messages, Gear Indicator, Trip Odometer, Total Engine Hours, Trip Hours, MPG, Distance to Empty/Refill for : GAUGE CLUSTER Speedometer, Tachometer, Engine Coolant Temp, Fuel Gauge, DEF Gauge, Oil Pressure Gauge, Primary and Secondary Air Pressure or Auxiliary Air Pressure (if Air Equipped) : WARNING SYSTEM Low Fuel, Low DEF, Low Oil Pressure, High Engine Coolant Temp, Low Battery Voltage (Visual and Audible), Low Air Pressure, Primary and Secondary (if Air Equipped)		
16GHU	GRAB HANDLE, CAB INTERIOR (2) Safety Yellow	0/0	0

INTERNATIONAL®**Vehicle Specifications
2025 MV607 SBA (MV607)****October 26, 2023**

Code	Description	F/R Wt (lbs)	Tot Wt (lbs)
16HKT	IP CLUSTER DISPLAY On Board Diagnostics Display of Fault Codes in Gauge Cluster	0/0	0
16JNT	SEAT, DRIVER {National 2000} Air Suspension, High Back with Integral Headrest, Vinyl, Isolator, 1 Chamber Lumbar, with 2 Position Front Cushion Adjust, -3 to +14 Degree Angle Back Adjust	-15/-3	-18
16KAW	SEAT, TWO-MAN PASSENGER {National} Vinyl, with Under Seat Storage Compartment	60/14	74
16SNS	MIRRORS (2) Aero Pedestal, Power Adjust, Heated, Black Heads and Arms, 6.5" x 14" Flat Glass, Includes 6.5" x 6" Convex Mirrors, for 102" Load Width	0/0	0
	<u>Notes</u> : Mirror Dimensions are Rounded to the Nearest 0.5"		
16SSD	MIRROR, CONVEX, HOOD MOUNTED (2) Right and Left Sides, Breakaway, Black, Heated	0/0	0
16VCC	SEAT BELT All Orange; 1 to 3	0/0	0
16VKB	CAB INTERIOR TRIM Classic, for Day Cab	0/0	0
	<u>Includes</u> : CONSOLE, OVERHEAD Molded Plastic with Dual Storage Pockets, Retainer Nets and CB Radio Pocket; Located Above Driver and Passenger : DOME LIGHT, CAB Door Activated and Push On-Off at Light Lens, Timed Theater Dimming, Integral to Overhead Console, Center Mounted : SUN VISOR (2) Padded Vinyl; 2 Moveable (Front-to-Side) Primary Visors, Driver Side with Toll Ticket Strap		
16VLM	CAB REAR SUSPENSION Rubber Suspension, for Low Cab Height	0/0	0
16WBY	ARM REST, RIGHT, DRIVER SEAT	3/0	3
16WJU	WINDOW, POWER (2) and Power Door Locks, Left and Right Doors, Includes Express Down Feature	5/0	5
16WLS	FRESH AIR FILTER Attached to Air Intake Cover on Cowl Tray in Front of Windshield Under Hood	1/0	1
16XJN	INSTRUMENT PANEL Flat Panel	0/0	0
16ZBT	ACCESS, CAB Steel, Driver & Passenger Sides, Two Steps per Door, for use with Day Cab and Extended Cab	0/0	0
27DUW	WHEELS, FRONT {Accuride 51408} DISC; 22.5x8.25 Rims, Powder Coat Steel, 2-Hand Hole, 10-Stud, 285.75mm BC, Hub-Piloted, Flanged Nut, with Steel Hubs	-10/0	-10
28DUW	WHEELS, REAR {Accuride 51408} DUAL DISC; 22.5x8.25 Rims, Powder Coat Steel, 2-Hand Hole, 10-Stud, 285.75mm BC, Hub-Piloted, Flanged Nut, with Steel Hubs	0/-20	-20
29WLK	WHEEL BEARING, FRONT, LUBE {EmGard FE-75W-90} Synthetic Oil	0/0	0
7372135432	(4) TIRE, REAR 11R22.5 Load Range G HDL2 (CONTINENTAL), 493 rev/mile, 75 MPH, Drive	0/144	144
7382135443	(2) TIRE, FRONT 11R22.5 Load Range H ECOPLUS HS3+ (CONTINENTAL), 495 rev/mile, 75 MPH, All-Position	62/0	62
	Cab schematic 100WP Location 1: 9219, Winter White (Std)		

INTERNATIONAL®**Vehicle Specifications**
2025 MV607 SBA (MV607)**October 26, 2023**

<u>Code</u>	<u>Description</u>	<u>F/R Wt</u> (lbs)	<u>Tot Wt</u> (lbs)
	Chassis schematic N/A		
Services Section:			
40129	WARRANTY Standard for MV Series, Effective with Vehicles Built July 1, 2017 or Later, CTS-2020A	0/0	0
Total Component Weight:		6439/4008 (lbs)	10447 (lbs)
1	Wabash/Supreme 24' Van Body w/5K capacity Waltco Tuk-Away	0/0	0
4	Specialty Lighting System from aftermarket	0/0	0
Total Body Allied:		0/0 (lbs)	0 (lbs)

The weight calculations included in this proposal are an estimate of future vehicle weight. The actual weight as manufactured may be different from the estimated weight. Navistar, Inc. shall not be liable for any consequences resulting from any differences between the estimated weight of a vehicle and the actual weight.

Description**Price**

Net Sales Price:

\$168,372.00

Please feel free to contact me regarding these specifications should your interests or needs change. I am confident you will be pleased with the quality and service of an International vehicle.

In accordance with Florida Sheriffs Association (FSA) contract FSA-23-VEH21.0 valid for PO's issued between 10/1/23 and 9/30/24 with vehicle built by 12/31/2024.

Purchase Orders placed for this specification should include a reference as follows in accordance with the Florida Sheriff's Association Terms: "FSA23-VEH21.0 Item# 46 & selected options, per Proposal 11532"

NOTE: Production expected to be Q2, 2024 with delivery within 90 days of production.

2025 International MV607 4x2:	\$91,817.00	Per FSA Item #46 with selected options, proposal 11532.
24' Dry Van Body w/liftgate:	\$35,726.00	Per FSA body option SW-QT87946 from Item# 39 options.
Specialty Lighting Package:	\$40,829.00	Per FSA body option AFTO-29 from Item# 46 options.

Subtotal: \$168,372.00

Florida State Sales Tax: N/A

Hillsborough County Surtax: N/A

Florida Tire & Battery Fee: Included

Florida County Tag: N/A MSO only for self-titling

Total: \$168,372.00

<u>Code</u>	<u>Description</u>	<u>F/R Wt</u>	<u>Tot Wt</u>
-------------	--------------------	---------------	---------------



MV607 SBA

INTERNATIONAL®

Vehicle Specifications
2025 MV607 SBA (MV607)

October 26, 2023

<u>Code</u>	<u>Description</u>	<u>F/R Wt</u> (lbs)	<u>Tot Wt</u> (lbs)
-------------	--------------------	------------------------	------------------------

Sales Proposal For:
PINELLAS COUNTY

Presented By:
SUN STATE INTL TRKS, LLC

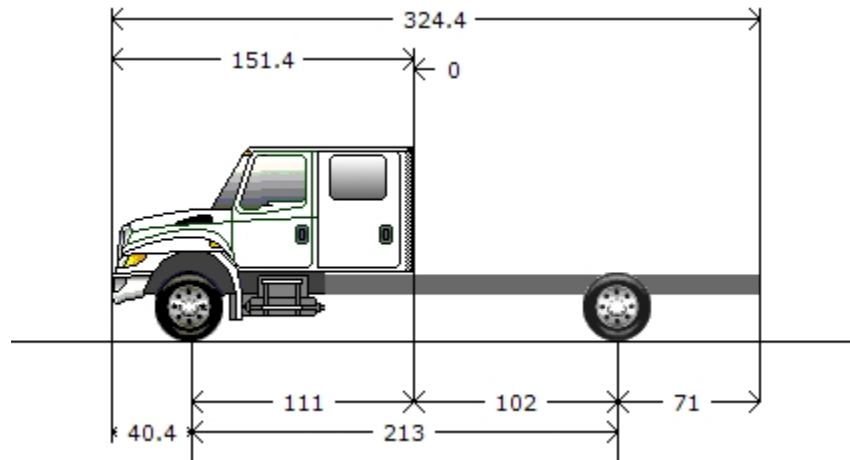
INTERNATIONAL®**Vehicle Specifications
2025 MV607 SBA (MV607)****October 26, 2023**

Prepared For:
PINELLAS COUNTY
Greg Herremans
9685 Ulmerton Rd.
Largo, FL 33771-3699
(727)582 - 3007
Reference ID: Item 46

Description

FRONT GVW:
15500 LBS
REAR GVW:
15500 LBS
SUN STATE INTERLOCKS, LLC
David Metcalf
6020 ADAMO DRIVE
TAMPA FL 33619 -
(813)621-1331

Thank you for the opportunity to provide you with the following quotation on a new International truck. I am sure the following detailed specification will meet your operational requirements, and I look forward to serving your business needs.

**Model Profile
2025 MV607 SBA (MV607)**

AXLE CONFIG: 4X2
APPLICATION: Service Body

MISSION: Requested GVWR: 33000. Calc. GVWR: 33000. Calc. GCWR: 33000
Calc. Start / Grade Ability: 22.05% / 1.71% @ 55 MPH
Calc. Geared Speed: 88.8 MPH

DIMENSION: Wheelbase: 213.00, CA: 102.00, Axle to Frame: 71.00

ENGINE, DIESEL: {Cummins B6.7 250} EPA 2024, 250HP @ 2400 RPM, 660 lb-ft Torque @ 1600 RPM, 2600 RPM Governed Speed, 250 Peak HP (Max)

TRANSMISSION, AUTOMATIC: {Allison 2500 RDS} 6th Generation Controls, Wide Ratio, 6-Speed with Double Overdrive, with PTO Provision, Less Retarder, with 33,000-lb GVW and GCW Max

CLUTCH: Omit Item (Clutch & Control)

AXLE, FRONT NON-DRIVING: {Dana Spicer E-1202IR} I-Beam Type, 12,000-lb Capacity

AXLE, REAR, SINGLE: {Dana Spicer 21060S} Single Reduction, 21,000-lb Capacity, R Wheel Ends Gear Ratio: 5.57

CAB: Conventional 6-Man Crew Cab

TIRE, FRONT: (2) 11R22.5 Load Range H ECOPLUS HS3+ (CONTINENTAL), 495 rev/mile, 75 MPH, All-Position

TIRE, REAR: (4) 11R22.5 Load Range G HDL2 (CONTINENTAL), 493 rev/mile, 75 MPH, Drive

SUSPENSION, REAR, SINGLE: 23,500-lb Capacity, Vari-Rate Springs, with 4500-lb Capacity Auxiliary Rubber Springs

PAINT: Cab schematic 100WP
Location 1: 9219, Winter White (Std)
Chassis schematic N/A

INTERNATIONAL®

Vehicle Specifications
2025 MV607 SBA (MV607)

October 26, 2023

<u>Code</u>	<u>Description</u>	<u>F/R Wt</u> (lbs)	<u>Tot Wt</u> (lbs)
MV60700	Base Chassis, Model MV607 SBA with 213.00 Wheelbase, 102.00 CA, and 71.00 Axle to Frame.	5354/2774	8128
1570	TOW HOOK, FRONT (2) Frame Mounted	8/0	8
1ANA	AXLE CONFIGURATION {Navistar} 4x2	0/0	0
	<u>Notes</u> : Pricing may change if axle configuration is changed.		
1CAE	FRAME RAILS Heat Treated Alloy Steel (120,000 PSI Yield); 10.125" x 3.580" x 0.312" (257.2mm x 90.9mm x 8.0mm); 460.0" (11684mm) Maximum OAL	122/298	420
1LEG	LICENSE PLATE HOLDER Includes Upper & Lower Mounting Plate Hardware, Mounted in Existing Holes in Front Bumper	3/0	3
1LNG	BUMPER, FRONT Contoured, Steel, Painted Gloss Black	0/0	0
1WEJ	WHEELBASE RANGE 199" (505cm) Through and Including 254" (645cm)	251/-251	0
2AYW	AXLE, FRONT NON-DRIVING {Dana Spicer E-1202IR} I-Beam Type, 12,000-lb Capacity	27/0	27
3ADC	SUSPENSION, FRONT, SPRING Parabolic Taper Leaf, Shackle Type, 12,000-lb Capacity, with Shock Absorbers	36/0	36
	<u>Includes</u> : SPRING PINS Rubber Bushings, Maintenance-Free		
4091	BRAKE SYSTEM, AIR Dual System for Straight Truck Applications	-34/-16	-50
	<u>Includes</u> : BRAKE LINES Color and Size Coded Nylon : DRAIN VALVE Twist-Type : GAUGE, AIR PRESSURE (2) Air 1 and Air 2 Gauges; Located in Instrument Cluster : PARKING BRAKE CONTROL Yellow Knob, Located on Instrument Panel : PARKING BRAKE VALVE For Truck : QUICK RELEASE VALVE On Rear Axle for Spring Brake Release: 1 for 4x2, 2 for 6x4 : SPRING BRAKE MODULATOR VALVE R-7 for 4x2, SR-7 with relay valve for 6x4/8x6		
4AZA	AIR BRAKE ABS {Bendix AntiLock Brake System} 4-Channel (4 Sensor/4 Modulator) Full Vehicle Wheel Control System	9/21	30
4EDN	AIR DRYER {Bendix AD-9SI} with Heater, Includes Safety Valve	18/-1	17
4EXP	BRAKE CHAMBERS, FRONT AXLE {Bendix} 20 SqIn	16/0	16
4EXU	BRAKE CHAMBERS, REAR AXLE {Bendix EverSure} 30/30 SqIn Spring Brake	0/39	39
4GBM	BRAKE, PARKING Manual Push-Pull Pneumatic Parking Brake	1/0	1
4LAG	SLACK ADJUSTERS, FRONT {Gunite} Automatic	14/0	14
4LGG	SLACK ADJUSTERS, REAR {Gunite} Automatic	0/14	14
4SPA	AIR COMPRESSOR {Cummins} 18.7 CFM	37/1	38
4VKH	AIR TANK LOCATION (2) Mounted Under Battery Box, Outside Right Rail, Under Cab	40/11	51
4VLE	AIR DRYER LOCATION Mounted Inside Engine Compartment, Right Side	0/0	0

<u>Code</u>	<u>Description</u>	<u>F/R Wt</u> (lbs)	<u>Tot Wt</u> (lbs)
4XDC	BRAKES, FRONT {Meritor 15X4 Q-PLUS CAST} Air S-Cam Type, Cast Spider, Fabricated Shoe, Double Anchor Pin, Size 15" X 4", 13,200-lb Capacity	77/0	77
4XDR	BRAKES, REAR {Meritor 16.5X7 Q-PLUS CAST} Air S-Cam Type, Cast Spider, Fabricated Shoe, Double Anchor Pin, Size 16.5" X 7", 23,000-lb Capacity per Axle	0/195	195
5708	STEERING COLUMN Tilting	15/1	16
5CAW	STEERING WHEEL 4-Spoke; 18" Dia., Black	0/0	0
5PRR	STEERING GEAR {TRW (Ross) TAS66} Power	34/-5	29
6DGA	DRIVELINE SYSTEM {Dana Spicer} SPL100, for 4x2/6x2	0/0	0
7BME	EXHAUST SYSTEM Horizontal Aftertreatment System, Frame Mounted Under Right Rail Back of Cab, Includes Single Short Horizontal Tail Pipe	0/0	0
7SCP	ENGINE EXHAUST BRAKE for Cummins ISB/B6.7/ISL/L9 Engine with Variable Vane Turbo Charger	0/0	0
8000	ELECTRICAL SYSTEM 12-Volt, Standard Equipment	0/0	0
	<u>Includes</u>		
	: DATA LINK CONNECTOR For Vehicle Programming and Diagnostics In Cab		
	: HAZARD SWITCH Push On/Push Off, Located on Instrument Panel to Right of Steering Wheel		
	: HEADLIGHT DIMMER SWITCH Integral with Turn Signal Lever		
	: PARKING LIGHT Integral with Front Turn Signal and Rear Tail Light		
	: STARTER SWITCH Electric, Key Operated		
	: STOP, TURN, TAIL & B/U LIGHTS Dual, Rear, Combination with Reflector		
	: TURN SIGNAL SWITCH Self-Cancelling for Trucks, Manual Cancelling for Tractors, with Lane Change Feature		
	: TURN SIGNALS, FRONT Includes Reflectors and Auxiliary Side Turn Signals, Solid State Flashers; Flush Mounted		
	: WINDSHIELD WIPER SWITCH 2-Speed with Wash and Intermittent Feature (5 Pre-Set Delays), Integral with Turn Signal Lever		
	: WINDSHIELD WIPERS Single Motor, Electric, Cowl Mounted		
	: WIRING, CHASSIS Color Coded and Continuously Numbered		
8GXD	ALTERNATOR {Leece-Neville AVI160P2013} Brush Type, 12 Volt, 160 Amp Capacity, Pad Mount, with Remote Sense	0/0	0
8HAB	BODY BUILDER WIRING Back of Day Cab at Left Frame or Under Sleeper, Extended or Crew Cab at Left Frame; Includes Sealed Connectors for Tail/Amber Turn/Marker/ Backup/Accessory Power/Ground and Sealed Connector for Stop/Turn	2/0	2
8HAH	ELECTRIC TRAILER BRAKE/LIGHTS Accommodation Package to Rear of Frame; for Combined Trailer Stop, Tail, Turn, Marker Light Circuits; Includes Electric Trailer Brake Accommodation Package with Cab Connections for Mounting Customer Installed Electric Brake Unit, Less Trailer Socket	0/2	2
8MJU	BATTERY SYSTEM {Fleetrite} Maintenance-Free, (3) 12-Volt 2850CCA Total, Top Threaded Stud	44/30	74
8RMZ	SPEAKERS (2) 6.5" Dual Cone Mounted in Both Doors, (2) 5.25" Dual Cone Mounted in Both B-Pillars	7/1	8
8RPP	ANTENNA Shark Fin, Roof Mounted	1/0	1
8RPS	RADIO AM/FM/WB/Clock/Bluetooth/USB Input/Auxiliary Input	3/0	3
8THB	BACK-UP ALARM Electric, 102 dBA	0/3	3

<u>Code</u>	<u>Description</u>	<u>F/R Wt</u> (lbs 0/0	<u>Tot Wt</u> (lbs 0
8VBE	HORN, ELECTRIC (1) Trumpet Style	0/0	0
8VUX	BATTERY BOX Steel, with Plastic Cover, 25" Wide, 2-3 Battery Capacity, Mounted Right Side Under Cab	0/0	0
8WBW	JUMP START STUD Remote Mounted <u>Includes</u> : JUMP START STUD Mounted to Battery Box	2/0	2
8WGL	WINDSHIELD WIPER SPD CONTROL Force Wipers to Slowest Intermittent Speed When Park Brake Set and Wipers Left on for a Predetermined Time	0/0	0
8WPH	CLEARANCE/MARKER LIGHTS (5) {Truck Lite} Amber LED Lights, Flush Mounted on Cab or Sunshade	1/0	1
8WPZ	TEST EXTERIOR LIGHTS Pre-Trip Inspection will Cycle all Exterior Lamps Except Back-up Lights	0/0	0
8WRB	HEADLIGHTS ON W/WIPERS Headlights Will Automatically Turn on if Windshield Wipers are turned on	0/0	0
8WWJ	INDICATOR, LOW COOLANT LEVEL with Audible Alarm	0/0	0
8WXB	HEADLIGHT WARNING BUZZER Sounds When Head Light Switch is on and Ignition Switch is in "Off" Position	0/0	0
8WXD	ALARM, PARKING BRAKE Electric Horn Sounds in Repetitive Manner When Vehicle Park Brake is "NOT" Set, with Ignition "OFF" and any Door Opened	0/0	0
8XAH	CIRCUIT BREAKERS Manual-Reset (Main Panel) SAE Type III with Trip Indicators, Replaces All Fuses	0/0	0
8XHN	HORN, AIR Single Trumpet, Black, with Lanyard Pull Cord	3/0	3
8XJH	FOG LIGHTS (2) Clear Lens, LED, Rectangular, with White Light Source	3/0	3
8XKC	HEADLIGHTS Halogen, with Daytime Running Lights, Automatic Twilight Controlled	0/0	0
8XKL	STARTING MOTOR {Mitsubishi Electric Automotive America 90P47} 12-Volt, with Soft-Start	0/0	0
8XPK	POWER SOURCE, ADDITIONAL Auxiliary Power Outlet (APO) with USB-A Port and USB-C Port, Located in the Instrument Panel	0/0	0
8XPN	USB PORT One USB-A Port and One USB-C Port, Located in Instrument Panel	0/0	0
9AAB	LOGOS EXTERIOR Model Badges	0/0	0
9AAE	LOGOS EXTERIOR, ENGINE Badges	0/0	0
9HCW	GRILLE Molded in Black	0/0	0
9WBN	FENDER EXTENSIONS Painted	0/0	0
9WBW	FRONT END Tilting, Fiberglass, with Three Piece Construction, Dual Air Intakes	0/0	0
9WBZ	BUG SCREEN Mounted Behind Grille and Bumper Grille	5/0	5
10060	PAINT SCHEMATIC, PT-1 Single Color, Design 100 <u>Includes</u> : PAINT SCHEMATIC ID LETTERS "WP"	0/0	0
10761	PAINT TYPE Base Coat/Clear Coat, 1-2 Tone	0/0	0

INTERNATIONAL®**Vehicle Specifications**
2025 MV607 SBA (MV607)**October 26, 2023**

<u>Code</u>	<u>Description</u>	<u>F/R Wt</u> (lbs)	<u>Tot Wt</u> (lbs)
10AGB	COMMUNICATIONS MODULE Telematics Device with Over the Air Programming; Includes Five Year Data Plan and International 360	0/0	0
10BAE	LABEL, DEF "DEF ONLY"	0/0	0
10SLV	PROMOTIONAL PACKAGE Government Silver Package	0/0	0
10VAA	KEYS - ALL ALIKE, ADDITIONAL 3 Keys	0/0	0
10WCY	SAFETY TRIANGLES	6/0	6
10WKN	KEYS - ALL ALIKE, ID I-1624 Compatible with Z-250	0/0	0
10WUE	MUD FLAPS, FRONT WHEELS (2) Rubber, Mounted on Fender Extension	12/0	12
10XAN	FIRE EXTINGUISHER 5 lb Class A B C	9/1	10
10XAP	FIRE EXTINGUISHER BRACKET Mounted Left Side Driver Seat	1/0	1
11001	CLUTCH Omit Item (Clutch & Control)	0/0	0
12703	ANTI-FREEZE Red, Extended Life Coolant; To -40 Degrees F/ -40 Degrees C, Freeze Protection	0/0	0
12EMZ	VENDOR WARRANTY, ENGINE {Cummins} B6.7 Engine, 3-Year Unlimited Miles Standard Warranty	0/0	0
12EXU	ENGINE, DIESEL {Cummins B6.7 250} EPA 2024, 250HP @ 2400 RPM, 660 lb-ft Torque @ 1600 RPM, 2600 RPM Governed Speed, 250 Peak HP (Max)	0/0	0
12TSY	FAN DRIVE {Borg-Warner SA85} Viscous Type, Screw On	0/0	0
	<u>Includes</u> : FAN Nylon		
12VCE	AIR CLEANER Single Element, Fire Retardant Media	0/0	0
12VJR	EMISSION, CALENDAR YEAR {Cummins B6.7} EPA, OBD and GHG Certified for Calendar Year 2024	0/0	0
12VXT	THROTTLE, HAND CONTROL Engine Speed Control; Electronic, Stationary, Variable Speed; Mounted on Steering Wheel	0/0	0
12VYP	ENGINE CONTROL, REMOTE MOUNTED No Provision for Remote Mounted Engine Control	0/0	0
12WPV	OIL PAN 15 Quart Capacity, For Cummins ISB/B6.7 Engines	0/0	0
12WVG	EPA IDLE COMPLIANCE Low NOx Idle Engine, Complies with EPA Clean Air Regulations; Includes "Certified Clean Idle" Decal on Hood	0/0	0
12WZE	CARB IDLE COMPLIANCE Does Not Comply with California Clean Air Idle Regulations	0/0	0
12XCC	RADIATOR Aluminum, 2-Row, Down Flow, Front to Back System, 640 SqIn Louvered, with 383 SqIn Charge Air Cooler, Includes In-Tank Oil Cooler	0/0	0
12XCS	CARB EMISSION WARR COMPLIANCE Does Not Comply with CARB Emission Warranty	0/0	0
13BBK	TRANSMISSION, AUTOMATIC {Allison 2500 RDS} 6th Generation Controls, Wide Ratio, 6-Speed with Double Overdrive, with PTO Provision, Less Retarder, with 33,000-lb GVW and GCW Max	0/0	0
13WDH	WIRING, TRANSMISSION Installed Wiring for Transmission/PTO Controls, for Allison 1000, 2000, 2100, 2200, 2400, 2500 Series Transmission	1/0	1

INTERNATIONAL®**Vehicle Specifications**
2025 MV607 SBA (MV607)**October 26, 2023**

<u>Code</u>	<u>Description</u>	<u>F/R Wt</u> (lbs)	<u>Tot Wt</u> (lbs)
13WLN	TRANSMISSION OIL Synthetic; 20 thru 28 Pints	0/0	0
13WUA	AUTOMATIC NEUTRAL Allison Transmission Shifts to Neutral When Parking Brake is Engaged and Remains in Neutral When Parking Brake is Disengaged, with On/Off Switch	0/0	0
13WVS	TRANSMISSION SHIFT CONTROL T-Handle	0/0	0
13WVV	NEUTRAL AT STOP Allison Transmission Shifts to Neutral When Service Brake is Depressed and Vehicle is at Stop; Remains in Neutral Until Service Brake is Released	0/0	0
13WYY	SHIFT CONTROL PARAMETERS {Allison} 1000 or 2000 Series Transmissions, Performance Programming	0/0	0
13XAC	ALLISON SPARE INPUT/OUTPUT for Rugged Duty Series (RDS), General Purpose Trucks, Package Number 354, Modified for Single Input Auto Neutral	0/0	0
13XAL	PTO LOCATION Customer Intends to Install PTO at Left Side of Transmission	0/0	0
14AWD	AXLE, REAR, SINGLE {Dana Spicer 21060S} Single Reduction, 21,000-lb Capacity, R Wheel Ends . Gear Ratio: 5.57	0/225	225
14VAH	SUSPENSION, REAR, SINGLE 23,500-lb Capacity, Vari-Rate Springs, with 4500-lb Capacity Auxiliary Rubber Springs	0/66	66
14WAP	SHOCK ABSORBERS, REAR (2)	0/45	45
14WMN	AXLE, REAR, LUBE {EmGard FE-75W-90} Synthetic Oil; 1 thru 29.99 Pints	0/0	0
15LMR	FUEL/WATER SEPARATOR {Racor 400 Series,} with Primer Pump, Includes Water-in-Fuel Sensor	0/0	0
15LRE	LOCATION FUEL/WATER SEPARATOR Mounted Under Hood, Left Side, Above Front Axle	0/0	0
15SRE	FUEL TANK Top Draw, Non-Polished Aluminum, D-Style, 19" Tank Depth, 50 US Gal (189L), Mounted Left Side, Under Cab	22/7	29
15WDG	DEF TANK 7 US Gal (26L) Capacity, Frame Mounted Outside Left Rail, Under Cab	0/0	0
16196	CAB Conventional 6-Man Crew Cab	104/250	354
	<u>Includes</u> : CLEARANCE/MARKER LIGHTS (5) Flush Mounted		
16BAM	AIR CONDITIONER with Integral Heater and Defroster	56/0	56
16GEG	GAUGE CLUSTER Premium Level; English with English Electronic Speedometer	0/0	0
	<u>Includes</u> : GAUGE CLUSTER DISPLAY: Base Level (3" Monochromatic Display), Premium Level (5" LCD Color Display); Odometer, Voltmeter, Diagnostic Messages, Gear Indicator, Trip Odometer, Total Engine Hours, Trip Hours, MPG, Distance to Empty/Refill for : GAUGE CLUSTER Speedometer, Tachometer, Engine Coolant Temp, Fuel Gauge, DEF Gauge, Oil Pressure Gauge, Primary and Secondary Air Pressure or Auxiliary Air Pressure (if Air Equipped) : WARNING SYSTEM Low Fuel, Low DEF, Low Oil Pressure, High Engine Coolant Temp, Low Battery Voltage (Visual and Audible), Low Air Pressure, Primary and Secondary (if Air Equipped)		
16GHV	GRAB HANDLE, CAB INTERIOR (4) Safety Yellow, Crew Cab	0/0	0

INTERNATIONAL®**Vehicle Specifications
2025 MV607 SBA (MV607)****October 26, 2023**

Code	Description	F/R Wt (lbs)	Tot Wt (lbs)
16HKT	IP CLUSTER DISPLAY On Board Diagnostics Display of Fault Codes in Gauge Cluster	0/0	0
16JNT	SEAT, DRIVER {National 2000} Air Suspension, High Back with Integral Headrest, Vinyl, Isolator, 1 Chamber Lumbar, with 2 Position Front Cushion Adjust, -3 to +14 Degree Angle Back Adjust	-15/-3	-18
16KAW	SEAT, TWO-MAN PASSENGER {National} Vinyl, with Under Seat Storage Compartment	57/17	74
16SMT	SEAT, REAR {National} BENCH; Full Width; Vinyl, with Fixed Back and Two Integral Outboard Headrests	56/38	94
16SNS	MIRRORS (2) Aero Pedestal, Power Adjust, Heated, Black Heads and Arms, 6.5" x 14" Flat Glass, Includes 6.5" x 6" Convex Mirrors, for 102" Load Width	0/0	0
	<u>Notes</u> : Mirror Dimensions are Rounded to the Nearest 0.5"		
16SSD	MIRROR, CONVEX, HOOD MOUNTED (2) Right and Left Sides, Breakaway, Black, Heated	0/0	0
16VCB	SEAT BELT All Orange; 4 to 6	0/0	0
16VKD	CAB INTERIOR TRIM Classic, for Crew Cab	0/0	0
	<u>Includes</u> : CONSOLE, OVERHEAD Molded Plastic with Dual Storage Pockets, Retainer Nets and CB Radio Pocket; Located Above Driver and Passenger : DOME LIGHT, CAB Door Activated and Push On-Off at Light Lens, Timed Theater Dimming, Integral to Overhead Console, Center Mounted : SUN VISOR (2) Padded Vinyl; 2 Moveable (Front-to-Side) Primary Visors, Driver Side with Toll Ticket Strap		
16VLL	CAB REAR SUSPENSION Air Suspension, for Low Cab Height	14/30	44
16WBY	ARM REST, RIGHT, DRIVER SEAT	3/0	3
16WJV	WINDOW, POWER (4) And Power Door Locks, Front and Rear Doors, Left and Right, Includes Express Down Feature	10/0	10
16WLS	FRESH AIR FILTER Attached to Air Intake Cover on Cowl Tray in Front of Windshield Under Hood	1/0	1
16XJN	INSTRUMENT PANEL Flat Panel	0/0	0
16ZBU	ACCESS, CAB Steel, Driver & Passenger Sides, Two Steps per Door, for use with Crew Cab	15/78	93
27DUW	WHEELS, FRONT {Accuride 51408} DISC; 22.5x8.25 Rims, Powder Coat Steel, 2-Hand Hole, 10-Stud, 285.75mm BC, Hub-Piloted, Flanged Nut, with Steel Hubs	-10/0	-10
28DUW	WHEELS, REAR {Accuride 51408} DUAL DISC; 22.5x8.25 Rims, Powder Coat Steel, 2-Hand Hole, 10-Stud, 285.75mm BC, Hub-Piloted, Flanged Nut, with Steel Hubs	0/-20	-20
29WLK	WHEEL BEARING, FRONT, LUBE {EmGard FE-75W-90} Synthetic Oil	0/0	0
7372135432	(4) TIRE, REAR 11R22.5 Load Range G HDL2 (CONTINENTAL), 493 rev/mile, 75 MPH, Drive	0/144	144
7382135443	(2) TIRE, FRONT 11R22.5 Load Range H ECOPLUS HS3+ (CONTINENTAL), 495 rev/mile, 75 MPH, All-Position	62/0	62

INTERNATIONAL®**Vehicle Specifications**
2025 MV607 SBA (MV607)**October 26, 2023**

<u>Code</u>	<u>Description</u>	<u>F/R Wt</u> (lbs)	<u>Tot Wt</u> (lbs)
	Cab schematic 100WP Location 1: 9219, Winter White (Std)		
	Chassis schematic N/A		
	Services Section:		
40129	WARRANTY Standard for MV Series, Effective with Vehicles Built July 1, 2017 or Later, CTS-2020A	0/0	0
	Total Component Weight:	6503/3995 (lbs)	10498 (lbs)
1	Tampa Crane 14' Chipper Body	0/0	0
2	Add BU Camera to body	0/0	0
3	Pintle Hook & electric trailer brake package from Tampa Crane	0/0	0
	Total Body Allied:	0/0 (lbs)	0 (lbs)

The weight calculations included in this proposal are an estimate of future vehicle weight. The actual weight as manufactured may be different from the estimated weight. Navistar, Inc. shall not be liable for any consequences resulting from any differences between the estimated weight of a vehicle and the actual weight.

Description

Price

Net Sales Price:

\$154,388.00

Please feel free to contact me regarding these specifications should your interests or needs change. I am confident you will be pleased with the quality and service of an International vehicle.

In accordance with Florida Sheriffs Association (FSA) contract FSA-23-VEH21.0 valid for PO's issued between 10/1/23 and 9/30/24 with vehicle built by 12/31/2024.

Purchase Orders placed for this specification should include a reference as follows in accordance with the Florida Sheriff's Association Terms: "FSA23-VEH21.0 Item# 46 & selected options per proposal# 11527"

NOTE: Production expected to be Q2, 2024 with delivery within 90 days of production.

2025 International MV607 4x2 Crew Cab:	\$101,037.00	Per FSA Item#46 with selected options, proposal 11527.
14' Arbortech Chipper Body:	\$ 51,351.00	Per FSA Item# 46
Add Back Up Camera from Body Company:	\$ 750.00	Non-Published Item
Add Pintle Hook & Electric Trailer Brake Pkg.:	\$ 1,250.00	Non-Published Item

Subtotal: \$154,388.00

Florida State Sales Tax: N/A
 Hillsborough County Surtax: N/A
 Florida Tire & Battery Fee: Included
 Florida County Tag: N/A MSO only for self title/licensing

Total: \$154,388.00

Approved by Seller: 

Accepted by Purchaser:

Pinellas County

Official Title and Date
Truck Specifications Specialist, 2-28-24

Firm or Business Name

Accepted by receipt of PO

Authorized Signature

Authorized Signature and Date

This proposal is not binding upon the seller without Seller's Authorized Signature

Accepted by receipt of PO

2-28-24

Official Title and Date

The TOPS FET calculation is an estimate for reference purposes only. The seller or retailer is responsible for calculating and reporting/paying appropriate FET to the IRS.

The limited warranties applicable to the vehicles described herein are Navistar, Inc.'s standard printed warranties which are incorporated herein by reference and to which you have been provided a copy and hereby agree to their terms and conditions.

Summary		
		133,475.00
		226,923.00
		265,158.00
		383,120.00
		168,372.00
		154,388.00
Sub-total		1,331,436.00
10% Unspecified		133,143.60
Total		1,464,579.60